



# MINNESOTA DEPT OF TRANSPORTATION

## TRAFFIC DATA COLLECTION - METRO

loc: th 65 @ 53rd ave n 2003  
 ref pt: 006+00.130  
 data collected by: alliant eng  
 tmc: am noon pm

File Name : T.H. 65 at 53rd  
 Site Code : 00000009  
 Start Date : 8/6/2003  
 Page No : 1

**Groups Printed- Unshifted**

Start Time	T.H. 65 Southbound					53rd Ave. NE Westbound					T.H. 65 Northbound					53rd Ave. NE Eastbound					Int. Total
	Left	Thru	Right	Peds	App. Total	Left	Thru	Right	Peds	App. Total	Left	Thru	Right	Peds	App. Total	Left	Thru	Right	Peds	App. Total	
06:00	6	113	22	0	141	1	2	0	0	3	1	84	2	0	87	11	2	3	0	16	247
06:15	18	135	23	0	176	0	3	2	0	5	11	92	1	0	104	11	1	4	1	17	302
06:30	12	193	33	0	238	1	5	5	0	11	3	129	2	0	134	18	5	3	0	26	409
06:45	16	231	28	0	275	3	3	5	0	11	3	101	4	0	108	12	6	7	0	25	419
<b>Total</b>	<b>52</b>	<b>672</b>	<b>106</b>	<b>0</b>	<b>830</b>	<b>5</b>	<b>13</b>	<b>12</b>	<b>0</b>	<b>30</b>	<b>18</b>	<b>406</b>	<b>9</b>	<b>0</b>	<b>433</b>	<b>52</b>	<b>14</b>	<b>17</b>	<b>1</b>	<b>84</b>	<b>1377</b>
07:00	17	228	41	0	286	6	4	14	1	25	5	112	15	0	132	20	6	14	0	40	483
07:15	23	283	49	0	355	5	7	13	0	25	10	118	6	0	134	19	5	6	0	30	544
07:30	20	258	57	0	335	7	5	10	0	22	6	161	5	0	172	6	2	2	0	10	539
07:45	26	227	73	0	326	6	4	14	1	25	4	130	13	0	147	19	6	4	0	29	527
<b>Total</b>	<b>86</b>	<b>996</b>	<b>220</b>	<b>0</b>	<b>1302</b>	<b>24</b>	<b>20</b>	<b>51</b>	<b>2</b>	<b>97</b>	<b>25</b>	<b>521</b>	<b>39</b>	<b>0</b>	<b>585</b>	<b>64</b>	<b>19</b>	<b>26</b>	<b>0</b>	<b>109</b>	<b>2093</b>
08:00	34	186	54	0	274	11	10	12	1	34	12	150	9	0	171	22	4	2	0	28	507
08:15	24	193	54	0	271	10	6	7	0	23	9	145	9	0	163	20	9	12	1	42	499
08:30	26	169	44	0	239	10	9	27	0	46	13	146	13	0	172	21	9	7	1	38	495
08:45	44	207	42	0	293	11	15	31	0	57	9	159	12	0	180	23	6	4	0	33	563
<b>Total</b>	<b>128</b>	<b>755</b>	<b>194</b>	<b>0</b>	<b>1077</b>	<b>42</b>	<b>40</b>	<b>77</b>	<b>1</b>	<b>160</b>	<b>43</b>	<b>600</b>	<b>43</b>	<b>0</b>	<b>686</b>	<b>86</b>	<b>28</b>	<b>25</b>	<b>2</b>	<b>141</b>	<b>2064</b>
11:00	50	198	59	0	307	18	14	30	0	62	30	183	26	0	239	51	12	51	1	115	723
11:15	49	240	48	0	337	21	14	31	6	72	25	230	17	3	275	60	15	36	0	111	795
11:30	66	214	54	0	334	30	14	25	4	73	35	218	22	0	275	60	23	40	0	123	805
11:45	62	225	39	0	326	20	15	54	3	92	33	251	19	0	303	55	17	24	4	100	821
<b>Total</b>	<b>227</b>	<b>877</b>	<b>200</b>	<b>0</b>	<b>1304</b>	<b>89</b>	<b>57</b>	<b>140</b>	<b>13</b>	<b>299</b>	<b>123</b>	<b>882</b>	<b>84</b>	<b>3</b>	<b>1092</b>	<b>226</b>	<b>67</b>	<b>151</b>	<b>5</b>	<b>449</b>	<b>3144</b>
12:00	61	215	47	0	323	18	24	39	2	83	26	191	19	0	236	50	15	37	0	102	744
12:15	50	203	64	0	317	19	16	37	0	72	34	251	29	0	314	34	17	26	1	78	781
12:30	46	197	58	0	301	32	17	42	1	92	38	246	17	0	301	42	14	16	3	75	769
12:45	65	213	42	0	320	15	15	43	0	73	46	262	12	0	320	60	12	11	4	87	800
<b>Total</b>	<b>222</b>	<b>828</b>	<b>211</b>	<b>0</b>	<b>1261</b>	<b>84</b>	<b>72</b>	<b>161</b>	<b>3</b>	<b>320</b>	<b>144</b>	<b>950</b>	<b>77</b>	<b>0</b>	<b>1171</b>	<b>186</b>	<b>58</b>	<b>90</b>	<b>8</b>	<b>342</b>	<b>3094</b>



# MINNESOTA DEPT OF TRANSPORTATION

## TRAFFIC DATA COLLECTION - METRO

File Name : T.H. 65 at 53rd  
 Site Code : 00000009  
 Start Date : 8/6/2003  
 Page No : 2

**Groups Printed- Unshifted**

Start Time	T.H. 65 Southbound					53rd Ave. NE Westbound					T.H. 65 Northbound					53rd Ave. NE Eastbound					Int. Total
	Left	Thru	Right	Peds	App. Total	Left	Thru	Right	Peds	App. Total	Left	Thru	Right	Peds	App. Total	Left	Thru	Right	Peds	App. Total	
15:00	52	223	33	0	308	18	12	42	1	73	24	249	16	0	289	38	15	20	1	74	744
15:15	50	223	53	0	326	21	8	47	0	76	22	271	19	0	312	75	16	34	0	125	839
15:30	63	218	51	0	332	26	11	42	1	80	29	301	22	0	352	72	13	19	0	104	868
15:45	45	218	52	0	315	12	8	37	0	57	31	247	20	0	298	75	20	29	0	124	794
<b>Total</b>	210	882	189	0	1281	77	39	168	2	286	106	1068	77	0	1251	260	64	102	1	427	3245
16:00	51	235	56	0	342	22	11	71	1	105	35	277	36	1	349	65	20	29	0	114	910
16:15	40	218	60	0	318	15	16	48	0	79	40	261	14	0	315	77	20	19	0	116	828
16:30	43	214	44	0	301	11	16	38	0	65	47	309	25	0	381	64	16	16	0	96	843
16:45	54	239	64	0	357	18	12	30	2	62	49	297	23	0	369	71	13	22	1	107	895
<b>Total</b>	188	906	224	0	1318	66	55	187	3	311	171	1144	98	1	1414	277	69	86	1	433	3476
17:00	38	210	53	0	301	18	10	38	4	70	35	270	18	2	325	91	24	35	2	152	848
17:15	65	240	38	0	343	14	10	38	2	64	51	372	17	1	441	80	19	26	1	126	974
17:30	50	226	45	0	321	11	10	42	2	65	52	288	25	0	365	78	11	26	0	115	866
17:45	53	194	45	0	292	16	8	45	2	71	36	356	12	0	404	73	20	25	0	118	885
<b>Total</b>	206	870	181	0	1257	59	38	163	10	270	174	1286	72	3	1535	322	74	112	3	511	3573
<b>Grand Total</b>	1319	6786	1525	0	9630	446	334	959	34	1773	804	6857	499	7	8167	1473	393	609	21	2496	22066
<b>Apprch %</b>	13.7	70.5	15.8	0		25.2	18.8	54.1	1.9		9.8	84	6.1	0.1		59	15.7	24.4	0.8		
<b>Total %</b>	6	30.8	6.9	0	43.6	2	1.5	4.3	0.2	8	3.6	31.1	2.3	0	37	6.7	1.8	2.8	0.1	11.3	

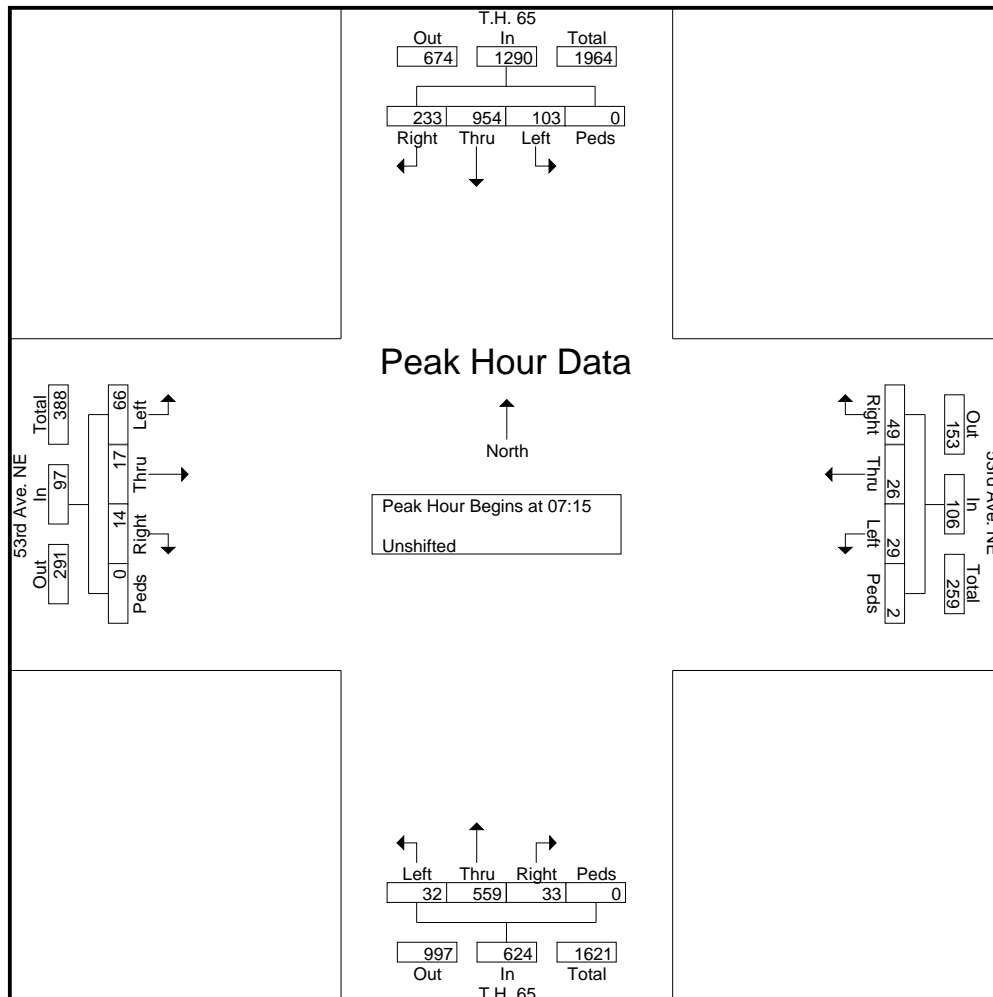


# MINNESOTA DEPT OF TRANSPORTATION

## TRAFFIC DATA COLLECTION - METRO

File Name : T.H. 65 at 53rd  
 Site Code : 00000009  
 Start Date : 8/6/2003  
 Page No : 3

Start Time	T.H. 65 Southbound					53rd Ave. NE Westbound					T.H. 65 Northbound					53rd Ave. NE Eastbound					Int. Total
	Left	Thru	Right	Peds	App. Total	Left	Thru	Right	Peds	App. Total	Left	Thru	Right	Peds	App. Total	Left	Thru	Right	Peds	App. Total	
Peak Hour Analysis From 06:00 to 09:45 - Peak 1 of 1																					
Peak Hour for Entire Intersection Begins at 07:15																					
07:15	23	283	49	0	355	5	7	13	0	25	10	118	6	0	134	19	5	6	0	30	544
07:30	20	258	57	0	335	7	5	10	0	22	6	161	5	0	172	6	2	2	0	10	539
07:45	26	227	73	0	326	6	4	14	1	25	4	130	13	0	147	19	6	4	0	29	527
08:00	34	186	54	0	274	11	10	12	1	34	12	150	9	0	171	22	4	2	0	28	507
Total Volume	103	954	233	0	1290	29	26	49	2	106	32	559	33	0	624	66	17	14	0	97	2117
% App. Total	8	74	18.1	0		27.4	24.5	46.2	1.9		5.1	89.6	5.3	0		68	17.5	14.4	0		
PHF	.757	.843	.798	.000	.908	.659	.650	.875	.500	.779	.667	.868	.635	.000	.907	.750	.708	.583	.000	.808	.973



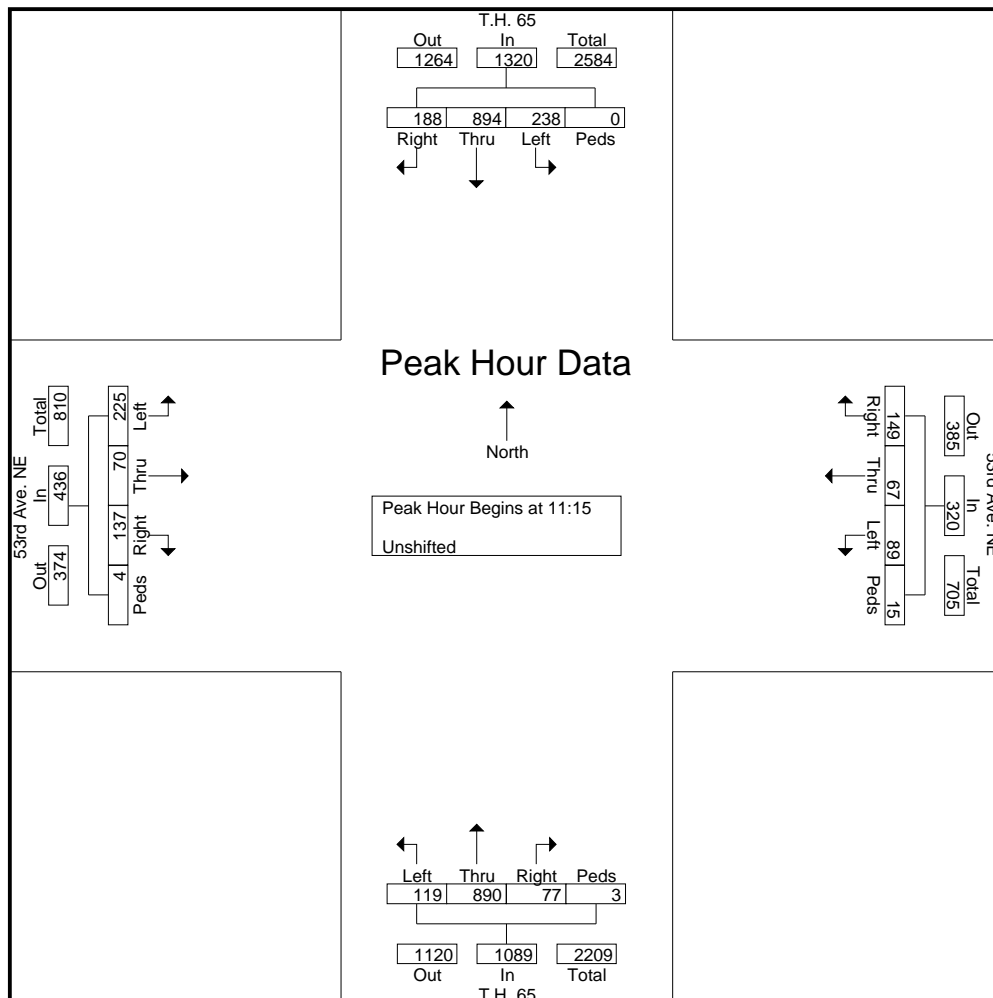


# MINNESOTA DEPT OF TRANSPORTATION

## TRAFFIC DATA COLLECTION - METRO

File Name : T.H. 65 at 53rd  
 Site Code : 00000009  
 Start Date : 8/6/2003  
 Page No : 4

Start Time	T.H. 65 Southbound					53rd Ave. NE Westbound					T.H. 65 Northbound					53rd Ave. NE Eastbound					Int. Total
	Left	Thru	Right	Peds	App. Total	Left	Thru	Right	Peds	App. Total	Left	Thru	Right	Peds	App. Total	Left	Thru	Right	Peds	App. Total	
Peak Hour Analysis From 10:00 to 13:45 - Peak 1 of 1																					
Peak Hour for Entire Intersection Begins at 11:15																					
11:15	49	240	48	0	337	21	14	31	6	72	25	230	17	3	275	60	15	36	0	111	795
11:30	66	214	54	0	334	30	14	25	4	73	35	218	22	0	275	60	23	40	0	123	805
11:45	62	225	39	0	326	20	15	54	3	92	33	251	19	0	303	55	17	24	4	100	821
12:00	61	215	47	0	323	18	24	39	2	83	26	191	19	0	236	50	15	37	0	102	744
Total Volume	238	894	188	0	1320	89	67	149	15	320	119	890	77	3	1089	225	70	137	4	436	3165
% App. Total	18	67.7	14.2	0		27.8	20.9	46.6	4.7		10.9	81.7	7.1	0.3		51.6	16.1	31.4	0.9		
PHF	.902	.931	.870	.000	.979	.742	.698	.690	.625	.870	.850	.886	.875	.250	.899	.938	.761	.856	.250	.886	.964





# MINNESOTA DEPT OF TRANSPORTATION

## TRAFFIC DATA COLLECTION - METRO

File Name : T.H. 65 at 53rd  
 Site Code : 00000009  
 Start Date : 8/6/2003  
 Page No : 5

Start Time	T.H. 65 Southbound					53rd Ave. NE Westbound					T.H. 65 Northbound					53rd Ave. NE Eastbound					Int. Total
	Left	Thru	Right	Peds	App. Total	Left	Thru	Right	Peds	App. Total	Left	Thru	Right	Peds	App. Total	Left	Thru	Right	Peds	App. Total	
Peak Hour Analysis From 14:00 to 17:45 - Peak 1 of 1																					
Peak Hour for Entire Intersection Begins at 16:45																					
16:45	54	239	<b>64</b>	0	<b>357</b>	<b>18</b>	<b>12</b>	30	2	62	49	297	23	0	369	71	13	22	1	107	895
17:00	38	210	53	0	301	18	10	38	<b>4</b>	<b>70</b>	35	270	18	<b>2</b>	325	<b>91</b>	<b>24</b>	<b>35</b>	<b>2</b>	<b>152</b>	848
17:15	<b>65</b>	<b>240</b>	38	0	343	14	10	38	2	64	51	<b>372</b>	17	1	<b>441</b>	80	19	26	1	126	<b>974</b>
17:30	50	226	45	0	321	11	10	<b>42</b>	2	65	<b>52</b>	288	<b>25</b>	0	365	78	11	26	0	115	866
Total Volume	207	915	200	0	1322	61	42	148	10	261	187	1227	83	3	1500	320	67	109	4	500	3583
% App. Total	15.7	69.2	15.1	0		23.4	16.1	56.7	3.8		12.5	81.8	5.5	0.2		64	13.4	21.8	0.8		
<b>PHF</b>	.796	.953	.781	.000	.926	.847	.875	.881	.625	.932	.899	.825	.830	.375	.850	.879	.698	.779	.500	.822	.920

