

Location: TH 65 at Moore Lake Drive  
 Count Date: 4/13/2017  
 Counted By: JDA



### TURNING MOVEMENT COUNT DATA

All Vehicles

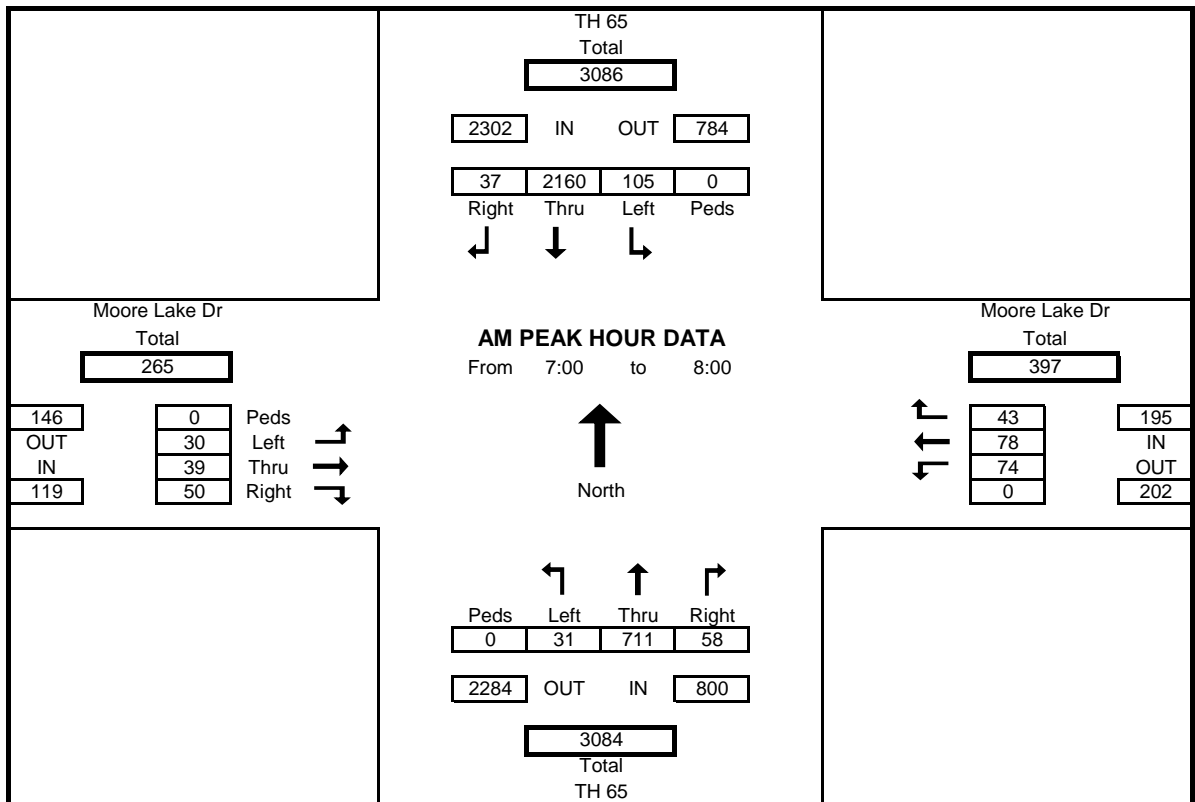
Start Time	TH 65				Moore Lake Dr				TH 65				Moore Lake Dr				Int. Total
	Southbound				Westbound				Northbound				Eastbound				
	Left	Thru	Right	Peds	Left	Thru	Right	Peds	Left	Thru	Right	Peds	Left	Thru	Right	Peds	
6:00	5	347	1	1	12	3	3	0	0	80	7	0	1	3	4	0	466
6:15	16	392	7	0	12	6	2	0	3	121	12	1	1	6	10	0	588
6:30	7	499	1	0	17	10	6	0	0	146	10	0	0	4	8	0	708
6:45	31	447	3	0	16	8	8	0	1	163	8	1	1	3	3	0	692
7:00	38	499	14	0	11	6	10	0	4	161	7	0	3	5	6	0	764
7:15	27	621	5	0	33	15	14	0	3	142	15	0	7	10	7	0	899
7:30	20	522	14	0	19	39	9	0	13	182	16	0	6	10	18	0	868
7:45	20	518	4	0	11	18	10	0	11	226	20	0	14	14	19	0	885
8:00	30	415	4	0	20	14	10	0	3	150	12	0	7	9	11	0	685
8:15	9	356	2	0	9	7	7	0	2	173	25	0	5	2	10	0	607
8:30	18	309	1	0	18	7	10	0	7	163	21	1	2	10	9	0	575
8:45	15	284	6	0	23	7	8	0	3	179	29	0	6	5	6	0	571
9:00	37	239	5	0	21	11	3	0	4	163	36	0	3	8	6	0	536
9:15	25	211	8	0	23	10	9	0	3	136	31	0	3	6	7	0	472
9:30	23	226	1	0	16	6	14	0	6	152	40	0	2	11	8	0	505
9:45	22	194	6	0	25	6	11	0	6	177	43	1	2	13	6	0	511
10:00	16	191	6	0	26	5	18	0	2	172	24	0	2	9	10	0	481
10:15	19	197	3	0	37	6	8	0	3	154	30	1	7	5	6	0	475
10:30	16	219	1	0	38	9	20	0	5	217	19	1	7	6	3	0	560
10:45	19	181	4	0	30	6	16	0	4	161	33	0	4	7	2	0	467
11:00	15	177	3	0	38	5	29	0	6	193	30	0	4	5	4	0	509
11:15	17	212	3	0	33	8	18	0	5	179	45	0	10	14	5	0	549
11:30	20	194	7	0	30	7	21	0	6	176	49	0	8	12	9	1	539
11:45	23	212	3	0	43	13	25	0	8	198	34	0	2	8	10	0	579
12:00	15	183	2	0	36	12	18	0	1	18	32	0	5	17	5	0	344
12:15	15	211	4	0	38	11	23	0	5	241	28	0	1	6	9	0	592
12:30	19	214	4	0	42	8	17	0	9	203	37	0	7	13	8	0	581
12:45	19	186	4	0	34	8	24	0	8	215	39	0	6	10	8	0	561
13:00	20	216	3	0	50	6	23	0	6	202	37	1	4	8	4	0	579
13:15	10	219	3	0	30	6	10	0	4	223	35	0	2	7	2	0	551
13:30	16	204	4	0	37	7	18	0	6	234	36	0	10	11	6	0	589
13:45	23	224	4	0	28	12	20	0	3	232	30	0	5	13	3	0	597
14:00	25	205	6	0	37	13	15	0	2	217	26	0	8	11	4	0	569
14:15	21	207	4	0	35	13	27	0	4	272	22	0	6	3	7	0	621
14:30	21	208	12	0	25	11	23	0	19	314	34	0	8	7	8	0	690
14:45	19	208	12	0	21	20	15	0	12	288	39	0	8	6	11	0	659
15:00	29	284	2	2	47	20	26	0	7	358	41	0	27	28	28	0	897
15:15	20	222	9	1	43	11	24	0	13	315	41	0	15	13	7	0	733
15:30	17	219	3	4	39	12	16	0	4	415	41	0	15	12	12	0	805
15:45	19	280	2	0	35	11	22	0	10	443	46	0	10	27	13	0	918
16:00	30	212	4	0	42	21	32	0	10	436	48	0	12	20	6	0	873
16:15	41	229	9	0	42	24	34	0	6	432	45	18	12	14	9	0	897
16:30	41	240	9	2	33	11	29	0	11	460	54	0	10	13	7	0	918
16:45	27	226	7	4	53	20	24	0	8	458	60	0	11	16	4	0	914
17:00	28	187	5	0	51	28	33	0	8	520	40	0	12	25	8	0	945
17:15	41	225	10	0	37	20	28	0	6	431	42	0	18	27	9	0	894
17:30	39	193	7	1	35	19	22	0	3	424	65	1	12	15	7	0	841
17:45	20	161	9	0	55	20	36	0	11	367	40	2	12	27	6	0	764
18:00	22	193	10	0	43	21	28	0	9	334	51	0	0	17	5	0	733
18:15	27	199	10	4	52	21	25	0	19	341	54	0	11	19	8	0	786
18:30	24	187	14	0	50	35	23	0	13	268	46	0	12	13	6	0	691
18:45	21	190	13	0	36	26	22	0	11	213	47	0	7	12	4	0	602
Total	1157	13594	297	19	1667	679	946	0	336	12838	1752	28	373	595	401	1	34635
Cars+	1149	13043	284	19	1643	661	938	0	331	12350	1733	27	368	574	396	1	33470
Trucks	8	551	13	0	24	18	8	0	5	488	19	1	5	21	5	0	1165
% Trucks	0.7	4.2	4.6	0.0	1.5	2.7	0.9	0.0	1.5	4.0	1.1	3.7	1.4	3.7	1.3	0.0	3.5
	4.0				1.5				3.6				2.3				

Location: TH 65 at Moore Lake Drive  
 Count Date: 4/13/2017  
 Counted By: JDA



**AM PEAK HOUR TURNING MOVEMENT DATA**  
 All Vehicles

Start Time	TH 65				Moore Lake Dr				TH 65				Moore Lake Dr				Int. Total
	Southbound				Westbound				Northbound				Eastbound				
	Left	Thru	Right	Peds	Left	Thru	Right	Peds	Left	Thru	Right	Peds	Left	Thru	Right	Peds	
7:00	38	499	14	0	11	6	10	0	4	161	7	0	3	5	6	0	764
7:15	27	621	5	0	33	15	14	0	3	142	15	0	7	10	7	0	899
7:30	20	522	14	0	19	39	9	0	13	182	16	0	6	10	18	0	868
7:45	20	518	4	0	11	18	10	0	11	226	20	0	14	14	19	0	885
<b>Total</b>	<b>105</b>	<b>2160</b>	<b>37</b>	<b>0</b>	<b>74</b>	<b>78</b>	<b>43</b>	<b>0</b>	<b>31</b>	<b>711</b>	<b>58</b>	<b>0</b>	<b>30</b>	<b>39</b>	<b>50</b>	<b>0</b>	<b>3416</b>
% App. Total	4.6	93.8	1.6	0.0	3.2	3.4	1.9	0.0	1.3	30.9	2.5	0.0	1.3	1.7	2.2	0.0	
PHF	0.691	0.870	0.661	0.000	0.561	0.500	0.768	0.000	0.596	0.787	0.725	0.000	0.536	0.696	0.658	0.000	0.950
% Trucks	1.0	2.5	2.8	0.0	0.0	5.4	2.4	0.0	0.0	8.2	0.0	0.0	0.0	14.7	0.0	0.0	3.6
	2.4				2.6				7.2				4.4				

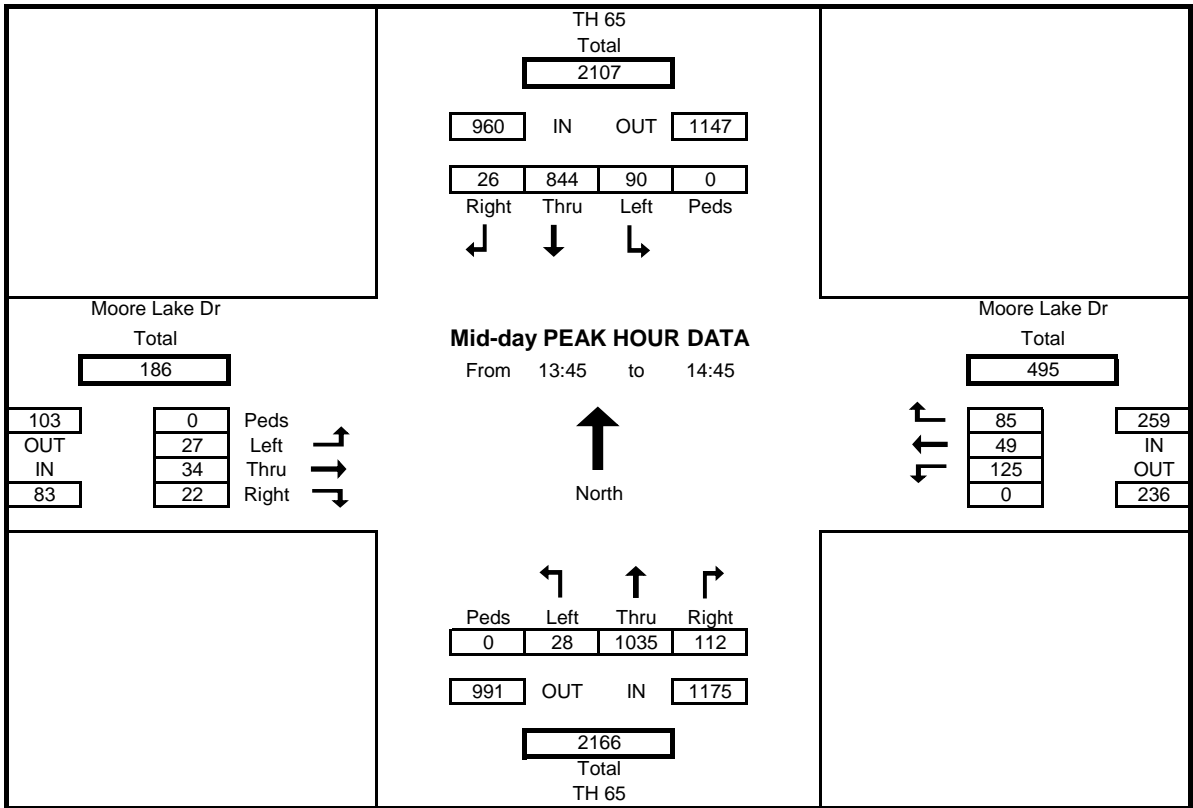


Location: TH 65 at Moore Lake Drive  
 Count Date: 4/13/2017  
 Counted By: JDA



**Mid-Day PEAK HOUR TURNING MOVEMENT DATA**  
 All Vehicles

Start Time	TH 65				Moore Lake Dr				TH 65				Moore Lake Dr				Int. Total
	Southbound				Westbound				Northbound				Eastbound				
	Left	Thru	Right	Peds	Left	Thru	Right	Peds	Left	Thru	Right	Peds	Left	Thru	Right	Peds	
13:45	23	224	4	0	28	12	20	0	3	232	30	0	5	13	3	0	597
14:00	25	205	6	0	37	13	15	0	2	217	26	0	8	11	4	0	569
14:15	21	207	4	0	35	13	27	0	4	272	22	0	6	3	7	0	621
14:30	21	208	12	0	25	11	23	0	19	314	34	0	8	7	8	0	690
<b>Total</b>	<b>90</b>	<b>844</b>	<b>26</b>	<b>0</b>	<b>125</b>	<b>49</b>	<b>85</b>	<b>0</b>	<b>28</b>	<b>1035</b>	<b>112</b>	<b>0</b>	<b>27</b>	<b>34</b>	<b>22</b>	<b>0</b>	<b>2477</b>
% App. Total	9.4	87.9	2.7	0.0	13.0	5.1	8.9	0.0	2.9	107.8	11.7	0.0	2.8	3.5	2.3	0.0	
PHF	0.900	0.942	0.542	0.000	0.845	0.942	0.787	0.000	0.368	0.824	0.824	0.000	0.844	0.654	0.688	0.000	0.897
% Trucks	1.1	5.9	52.9	0.0	5.9	6.5	0.0	0.0	3.7	3.5	3.7	0.0	0.0	0.0	10.0	0.0	4.6
	6.3				4.0				3.5				2.5				

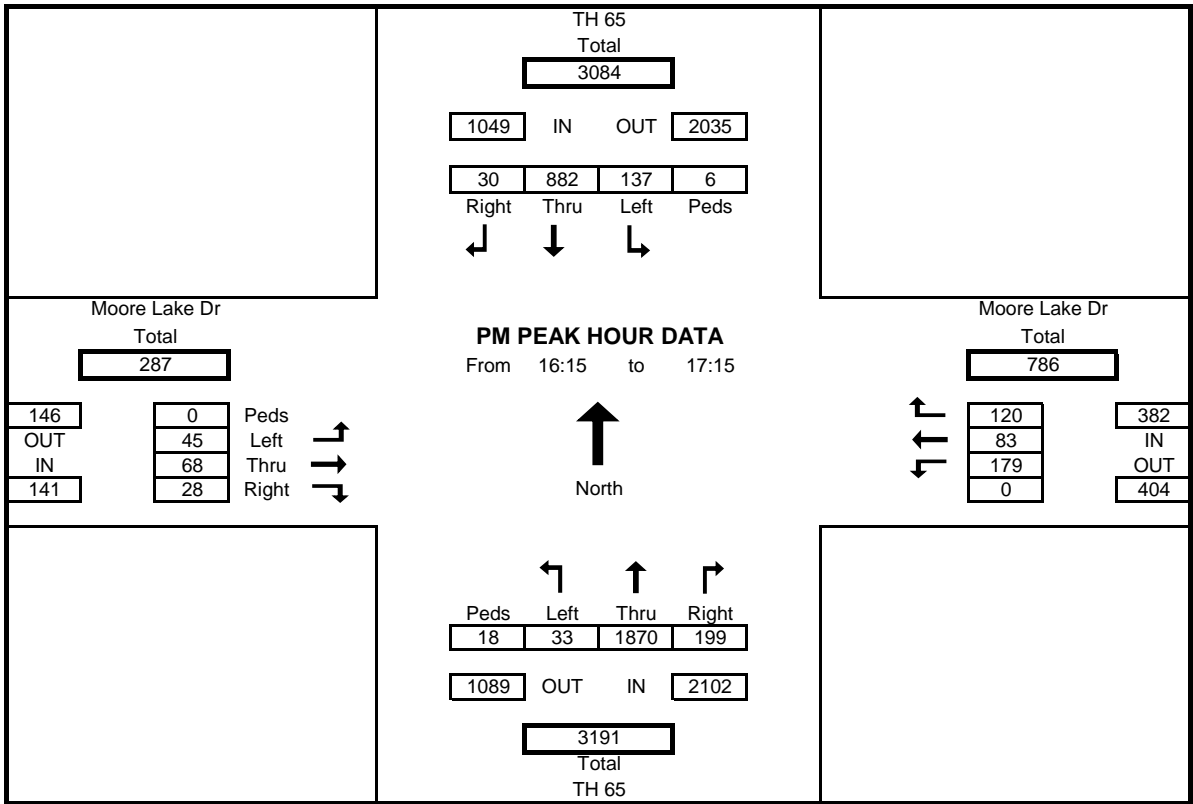


Location: TH 65 at Moore Lake Drive  
 Count Date: 4/13/2017  
 Counted By: JDA



**AM PEAK HOUR TURNING MOVEMENT DATA**  
 All Vehicles

Start Time	TH 65				Moore Lake Dr				TH 65				Moore Lake Dr				Int. Total
	Southbound				Westbound				Northbound				Eastbound				
	Left	Thru	Right	Peds	Left	Thru	Right	Peds	Left	Thru	Right	Peds	Left	Thru	Right	Peds	
16:15	41	229	9	0	42	24	34	0	6	432	45	18	12	14	9	0	897
16:30	41	240	9	2	33	11	29	0	11	460	54	0	10	13	7	0	918
16:45	27	226	7	4	53	20	24	0	8	458	60	0	11	16	4	0	914
17:00	28	187	5	0	51	28	33	0	8	520	40	0	12	25	8	0	945
<b>Total</b>	<b>137</b>	<b>882</b>	<b>30</b>	<b>6</b>	<b>179</b>	<b>83</b>	<b>120</b>	<b>0</b>	<b>33</b>	<b>1870</b>	<b>199</b>	<b>18</b>	<b>45</b>	<b>68</b>	<b>28</b>	<b>0</b>	<b>3674</b>
% App. Total	13.0	83.6	2.8	0.6	17.0	7.9	11.4	0.0	3.1	177.3	18.9	1.7	4.3	6.4	2.7	0.0	
PHF	0.835	0.919	0.833	0.375	0.844	0.741	0.882	0.000	0.750	0.899	0.829	0.250	0.938	0.680	0.778	0.000	0.972
% Trucks	0.0	2.6	0.0	0.0	0.6	1.2	0.0	0.0	0.0	1.3	0.0	0.0	0.0	0.0	0.0	0.0	1.3
	2.1				0.5				1.2				0.0				



Location: TH 65 at Moore Lake Drive  
 Count Date: 4/13/2017  
 Counted By: JDA



**TURNING MOVEMENT COUNT DATA**

Cars+

Start Time	TH 65				Moore Lake Dr				TH 65				Moore Lake Dr				Int. Total
	Southbound				Westbound				Northbound				Eastbound				
	Left	Thru	Right	Peds	Left	Thru	Right	Peds	Left	Thru	Right	Peds	Left	Thru	Right	Peds	
6:00	5	330	1	1	12	3	3	0	0	78	7	0	1	3	4	0	447
6:15	16	373	7	0	12	6	2	0	3	117	12	0	1	6	10	0	565
6:30	7	476	1	0	16	10	6	0	0	140	9	0	0	4	8	0	677
6:45	30	433	3	0	15	8	7	0	1	158	8	1	1	3	3	0	670
7:00	38	485	14	0	11	6	10	0	4	150	7	0	3	5	6	0	739
7:15	27	610	5	0	33	15	14	0	3	135	15	0	7	10	7	0	881
7:30	20	505	13	0	19	36	8	0	13	176	16	0	6	9	18	0	839
7:45	19	507	4	0	11	17	10	0	11	196	20	0	14	10	19	0	838
8:00	30	402	3	0	20	13	10	0	3	135	12	0	6	8	11	0	653
8:15	9	342	2	0	9	7	7	0	1	162	25	0	5	1	9	0	579
8:30	18	297	1	0	17	7	9	0	7	155	19	1	2	9	9	0	550
8:45	15	272	6	0	22	7	8	0	3	168	29	0	6	5	6	0	547
9:00	37	225	5	0	18	11	3	0	4	156	35	0	3	7	6	0	510
9:15	24	196	8	0	23	10	9	0	3	130	30	0	3	6	7	0	449
9:30	23	216	1	0	16	6	13	0	6	143	40	0	2	11	8	0	485
9:45	22	179	6	0	25	5	11	0	6	170	43	1	2	13	6	0	488
10:00	16	184	6	0	26	5	18	0	2	162	23	0	2	9	10	0	463
10:15	19	180	3	0	37	6	8	0	2	145	30	1	7	4	6	0	447
10:30	16	208	1	0	38	9	20	0	5	203	18	1	7	6	3	0	534
10:45	18	163	4	0	29	6	15	0	4	149	32	0	4	7	2	0	433
11:00	15	167	3	0	37	5	28	0	6	181	30	0	4	5	4	0	485
11:15	16	202	3	0	33	8	18	0	5	171	45	0	10	13	5	0	529
11:30	20	179	7	0	30	6	21	0	6	162	48	0	8	11	9	1	507
11:45	23	200	3	0	42	12	25	0	8	186	34	0	2	8	10	0	553
12:00	15	174	2	0	36	12	18	0	1	11	32	0	5	15	4	0	325
12:15	15	197	4	0	38	11	22	0	5	234	28	0	0	6	9	0	569
12:30	19	208	4	0	42	8	17	0	8	197	37	0	7	13	8	0	568
12:45	19	176	4	0	33	8	24	0	8	203	37	0	6	10	8	0	536
13:00	19	204	3	0	49	6	22	0	6	194	36	1	4	8	4	0	555
13:15	10	209	3	0	29	6	10	0	4	209	34	0	2	7	2	0	525
13:30	16	193	4	0	35	7	18	0	6	216	36	0	9	11	6	0	557
13:45	23	206	4	0	28	12	20	0	3	226	30	0	5	13	3	0	573
14:00	24	194	6	0	36	12	15	0	2	214	23	0	8	11	4	0	549
14:15	21	199	3	0	31	12	27	0	4	260	21	0	6	3	7	0	594
14:30	21	198	4	0	23	10	23	0	18	300	34	0	8	7	6	0	652
14:45	19	194	11	0	21	18	15	0	12	280	39	0	8	6	11	0	634
15:00	28	278	2	2	47	20	26	0	7	336	40	0	26	27	27	0	864
15:15	20	210	9	1	43	10	24	0	13	302	41	0	15	13	7	0	707
15:30	17	209	3	4	38	12	16	0	4	405	41	0	15	11	12	0	783
15:45	19	272	2	0	35	11	22	0	10	430	46	0	10	25	13	0	895
16:00	30	208	4	0	42	19	32	0	10	421	48	0	12	18	6	0	850
16:15	41	222	9	0	41	24	34	0	6	427	45	18	12	14	9	0	884
16:30	41	233	9	2	33	10	29	0	11	455	54	0	10	13	7	0	905
16:45	27	221	7	4	53	20	24	0	8	450	60	0	11	16	4	0	901
17:00	28	184	5	0	51	28	33	0	8	514	40	0	12	25	8	0	936
17:15	41	221	10	0	37	19	28	0	6	425	41	0	18	26	9	0	881
17:30	39	188	6	1	35	19	22	0	3	418	65	1	11	15	7	0	828
17:45	20	157	9	0	55	20	36	0	11	362	40	2	12	27	6	0	755
18:00	22	191	10	0	43	21	28	0	9	327	51	0	0	17	5	0	724
18:15	27	195	10	4	52	21	25	0	18	337	54	0	11	19	8	0	777
18:30	24	186	14	0	50	35	23	0	13	260	46	0	12	13	6	0	682
18:45	21	185	13	0	36	26	22	0	11	209	47	0	7	12	4	0	593
Total	1149	13043	284	19	1643	661	938	0	331	12350	1733	27	368	574	396	1	33470
Cars+	1149	13043	284	19	1643	661	938	0	331	12350	1733	27	368	574	396	1	33470
Trucks	8	551	13	0	24	18	8	0	5	488	19	1	5	21	5	0	1165
% Trucks	0.7	4.2	4.6	0.0	1.5	2.7	0.9	0.0	1.5	4.0	1.1	3.7	1.4	3.7	1.3	0.0	3.5
		4.0				1.5				3.6				2.3			

Location: TH 65 at Moore Lake Drive  
 Count Date: 4/13/2017  
 Counted By: JDA



**TURNING MOVEMENT COUNT DATA**  
**Heavy Vehicles**

Start Time	TH 65				Moore Lake Dr				TH 65				Moore Lake Dr				Int. Total	
	Southbound				Westbound				Northbound				Eastbound					
	Left	Thru	Right	Bikes	Left	Thru	Right	Bikes	Left	Thru	Right	Bikes	Left	Thru	Right	Bikes		
6:00	0	17	0	0	0	0	0	0	0	2	0	0	0	0	0	0	0	19
6:15	0	19	0	0	0	0	0	0	0	4	0	1	0	0	0	0	0	23
6:30	0	23	0	0	1	0	0	0	0	6	1	0	0	0	0	0	0	31
6:45	1	14	0	0	1	0	1	0	0	5	0	0	0	0	0	0	0	22
7:00	0	14	0	0	0	0	0	0	0	11	0	0	0	0	0	0	0	25
7:15	0	11	0	0	0	0	0	0	0	7	0	0	0	0	0	0	0	18
7:30	0	17	1	0	0	3	1	0	0	6	0	0	0	0	1	0	0	29
7:45	1	11	0	0	0	1	0	0	0	30	0	0	0	0	4	0	0	47
8:00	0	13	1	0	0	1	0	0	0	15	0	0	0	1	1	0	0	32
8:15	0	14	0	0	0	0	0	0	0	1	11	0	0	0	1	1	0	28
8:30	0	12	0	0	1	0	1	0	0	8	2	0	0	0	1	0	0	25
8:45	0	12	0	0	1	0	0	0	0	11	0	0	0	0	0	0	0	24
9:00	0	14	0	0	3	0	0	0	0	7	1	0	0	0	1	0	0	26
9:15	1	15	0	0	0	0	0	0	0	6	1	0	0	0	0	0	0	23
9:30	0	10	0	0	0	0	1	0	0	9	0	0	0	0	0	0	0	20
9:45	0	15	0	0	0	1	0	0	0	7	0	0	0	0	0	0	0	23
10:00	0	7	0	0	0	0	0	0	0	10	1	0	0	0	0	0	0	18
10:15	0	17	0	0	0	0	0	0	0	1	9	0	0	0	1	0	0	28
10:30	0	11	0	0	0	0	0	0	0	14	1	0	0	0	0	0	0	26
10:45	1	18	0	0	1	0	1	0	0	12	1	0	0	0	0	0	0	34
11:00	0	10	0	0	1	0	1	0	0	12	0	0	0	0	0	0	0	24
11:15	1	10	0	0	0	0	0	0	0	8	0	0	0	0	1	0	0	20
11:30	0	15	0	0	0	1	0	0	0	14	1	0	0	0	1	0	0	32
11:45	0	12	0	0	1	1	0	0	0	12	0	0	0	0	0	0	0	26
12:00	0	9	0	0	0	0	0	0	0	7	0	0	0	0	2	1	0	19
12:15	0	14	0	0	0	0	1	0	0	7	0	0	0	1	0	0	0	23
12:30	0	6	0	0	0	0	0	0	0	1	6	0	0	0	0	0	0	13
12:45	0	10	0	0	1	0	0	0	0	12	2	0	0	0	0	0	0	25
13:00	1	12	0	0	1	0	1	0	0	8	1	0	0	0	0	0	0	24
13:15	0	10	0	0	1	0	0	0	0	14	1	0	0	0	0	0	0	26
13:30	0	11	0	0	2	0	0	0	0	18	0	0	0	1	0	0	0	32
13:45	0	18	0	0	0	0	0	0	0	6	0	0	0	0	0	0	0	24
14:00	1	11	0	0	1	1	0	0	0	3	3	0	0	0	0	0	0	20
14:15	0	8	1	0	4	1	0	0	0	12	1	0	0	0	0	0	0	27
14:30	0	10	8	0	2	1	0	0	0	1	14	0	0	0	0	2	0	38
14:45	0	14	1	0	0	2	0	0	0	8	0	0	0	0	0	0	0	25
15:00	1	6	0	0	0	0	0	0	0	22	1	0	0	1	1	1	0	33
15:15	0	12	0	0	0	1	0	0	0	13	0	0	0	0	0	0	0	26
15:30	0	10	0	0	1	0	0	0	0	10	0	0	0	0	1	0	0	22
15:45	0	8	0	0	0	0	0	0	0	13	0	0	0	0	2	0	0	23
16:00	0	4	0	0	0	2	0	0	0	15	0	0	0	0	2	0	0	23
16:15	0	7	0	0	1	0	0	0	0	5	0	0	0	0	0	0	0	13
16:30	0	7	0	0	0	1	0	0	0	5	0	0	0	0	0	0	0	13
16:45	0	5	0	0	0	0	0	0	0	8	0	0	0	0	0	0	0	13
17:00	0	3	0	0	0	0	0	0	0	6	0	0	0	0	0	0	0	9
17:15	0	4	0	0	0	1	0	0	0	6	1	0	0	0	1	0	0	13
17:30	0	5	1	0	0	0	0	0	0	6	0	0	0	1	0	0	0	13
17:45	0	4	0	0	0	0	0	0	0	5	0	0	0	0	0	0	0	9
18:00	0	2	0	0	0	0	0	0	0	7	0	0	0	0	0	0	0	9
18:15	0	4	0	0	0	0	0	0	0	1	4	0	0	0	0	0	0	9
18:30	0	1	0	0	0	0	0	0	0	8	0	0	0	0	0	0	0	9
18:45	0	5	0	0	0	0	0	0	0	4	0	0	0	0	0	0	0	9
Total	8	551	13	0	24	18	8	0	5	488	19	1	5	21	5	0	1165	
Cars+	1149	13043	284	19	1643	661	938	0	331	12350	1733	27	368	574	396	1	33470	
Trucks	8	551	13	0	24	18	8	0	5	488	19	1	5	21	5	0	1165	
% Trucks	0.7	4.2	4.6	0.0	1.5	2.7	0.9	0.0	1.5	4.0	1.1	3.7	1.4	3.7	1.3	0.0	3.5	
		4.0				1.5				3.6				2.3				