

Location: TH 65 at Osborne Road (CSAH 8)
 Count Date: 4/13/2017
 Counted By: JDA



TURNING MOVEMENT COUNT DATA

All Vehicles

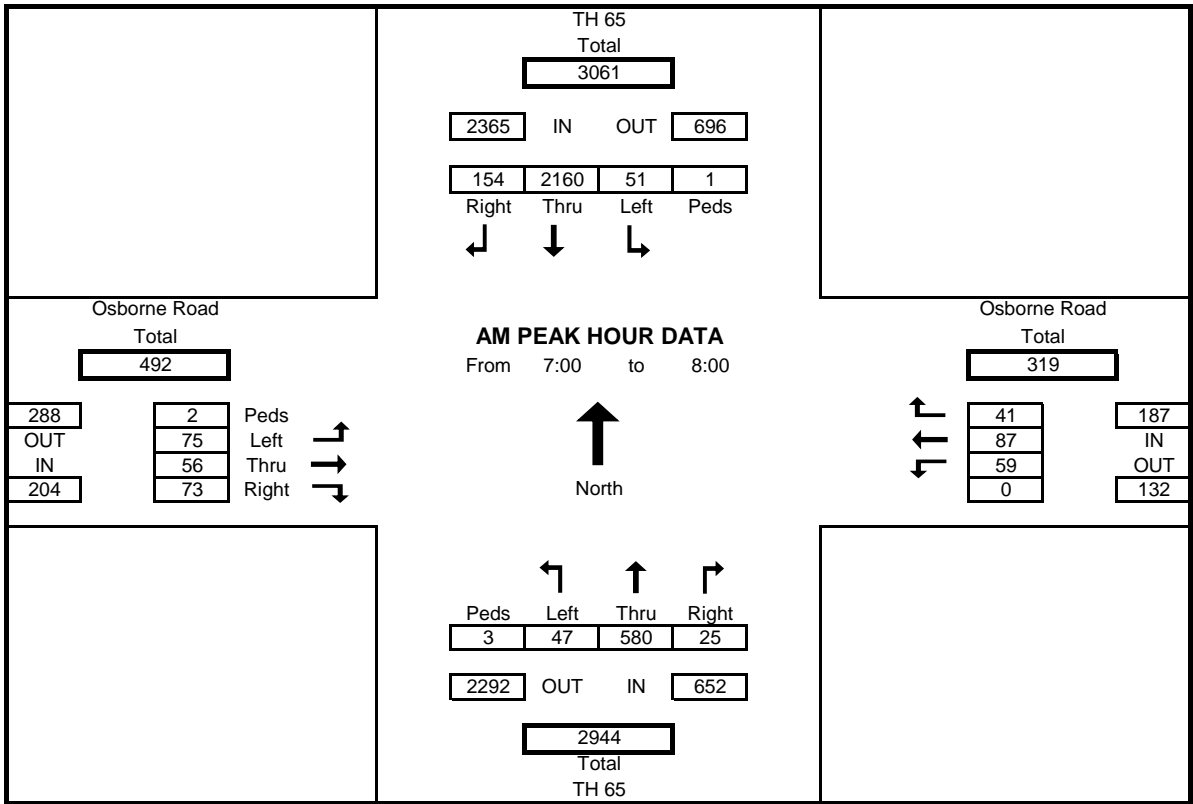
Start Time	TH 65				Osborne Road				TH 65				Osborne Road				Int. Total
	Southbound				Westbound				Northbound				Eastbound				
	Left	Thru	Right	Peds	Left	Thru	Right	Peds	Left	Thru	Right	Peds	Left	Thru	Right	Peds	
6:00	20	342	20	0	7	9	12	0	7	46	5	0	6	4	7	0	485
6:15	24	427	25	0	5	7	7	0	4	78	10	0	12	19	11	0	629
6:30	12	495	35	0	6	15	6	0	2	101	10	0	6	15	18	0	721
6:45	18	494	44	0	14	21	7	0	13	124	10	0	12	11	11	0	779
7:00	14	520	29	0	13	14	10	0	11	149	6	1	16	9	11	1	802
7:15	15	567	29	0	16	20	18	0	10	135	4	1	12	12	27	1	865
7:30	15	554	48	1	15	22	9	0	6	159	7	0	19	16	18	0	888
7:45	7	519	48	0	15	31	4	0	20	137	8	1	28	19	17	0	853
8:00	19	458	39	1	13	35	6	1	8	167	6	1	13	16	16	0	796
8:15	17	381	35	0	15	18	4	0	14	144	5	0	23	14	16	0	686
8:30	19	297	28	0	8	28	5	1	15	137	12	1	25	20	13	0	607
8:45	17	299	66	0	11	31	9	0	16	150	15	0	29	16	20	0	679
9:00	15	226	36	0	17	25	10	0	22	139	16	0	24	31	26	0	587
9:15	21	221	39	1	18	19	6	0	17	144	11	0	21	18	20	0	555
9:30	11	205	34	1	15	30	10	0	12	143	13	0	26	25	17	0	541
9:45	15	202	35	0	13	16	11	0	20	168	11	1	21	24	20	0	556
10:00	17	183	41	0	16	22	15	0	15	167	10	0	19	16	21	0	542
10:15	18	166	27	1	19	24	14	0	23	127	8	0	21	20	24	0	491
10:30	13	174	24	0	13	13	7	0	23	193	9	0	32	23	19	0	543
10:45	19	177	29	0	11	22	12	0	14	148	9	0	25	16	24	0	506
11:00	20	140	24	1	17	29	18	0	27	181	14	0	32	25	18	1	545
11:15	18	185	32	0	21	19	17	0	14	183	11	0	32	24	21	0	577
11:30	14	187	28	0	15	34	12	0	22	206	7	0	33	15	18	0	591
11:45	22	199	22	1	20	20	13	0	22	195	11	0	39	30	24	1	617
12:00	25	179	32	0	7	33	9	0	20	183	14	0	39	25	23	0	589
12:15	18	184	37	3	14	34	14	0	20	221	10	0	35	23	29	0	639
12:30	15	207	28	0	16	27	20	0	26	187	13	0	21	21	12	0	593
12:45	17	182	38	0	8	32	9	0	22	187	12	0	40	32	15	0	594
13:00	16	186	27	0	17	29	10	0	22	206	9	0	34	28	30	0	614
13:15	19	195	27	0	5	21	14	0	20	183	8	0	38	26	29	0	585
13:30	13	209	33	0	10	17	14	0	22	202	15	0	45	32	20	0	632
13:45	16	210	26	1	15	12	13	0	10	224	9	0	29	23	28	0	615
14:00	19	203	29	2	13	25	26	0	17	208	13	0	40	26	21	0	640
14:15	26	206	26	0	8	27	10	0	17	262	22	0	29	25	27	0	685
14:30	13	218	34	0	19	22	12	0	21	321	10	0	30	37	18	0	755
14:45	16	208	28	0	24	31	12	0	26	359	22	0	43	29	19	0	817
15:00	18	228	22	0	16	36	30	0	29	343	14	0	49	42	22	0	849
15:15	19	209	32	0	13	26	14	0	28	349	10	0	45	28	24	0	797
15:30	21	219	36	1	12	37	12	0	40	429	13	2	42	31	22	0	914
15:45	18	231	39	0	24	29	18	0	30	427	15	2	53	55	21	0	960
16:00	23	219	31	1	22	20	16	0	21	500	19	0	44	42	24	0	981
16:15	12	241	30	1	14	46	24	0	26	519	16	0	37	32	25	0	1022
16:30	24	242	36	0	19	38	27	0	29	508	9	1	40	42	22	0	1036
16:45	12	208	27	1	16	49	14	0	16	414	12	0	48	45	33	0	894
17:00	12	195	37	0	19	29	22	0	28	516	19	0	43	43	23	1	986
17:15	19	239	28	0	15	43	19	0	29	524	18	0	34	39	14	0	1021
17:30	13	167	17	2	13	28	15	1	30	408	20	3	40	37	30	0	818
17:45	20	200	21	0	11	38	17	0	17	339	23	0	31	21	14	0	752
18:00	21	206	22	0	13	25	4	0	35	366	11	0	30	25	17	0	775
18:15	22	195	21	3	10	23	15	0	28	322	15	0	21	27	16	0	715
18:30	19	186	12	0	13	24	14	0	21	260	16	3	25	19	14	0	623
18:45	17	195	18	5	19	19	11	0	16	202	10	0	29	16	11	0	563
Total	903	13385	1611	27	738	1344	677	3	1023	12690	625	17	1560	1309	1040	5	36905
Cars+	839	12995	1523	27	684	1272	631	3	1004	12297	585	13	1497	1237	1022	5	35586
Trucks	64	390	88	0	54	72	46	0	19	393	40	4	63	72	18	0	1319
% Trucks	7.6	3.0	5.8	0.0	7.9	5.7	7.3	0.0	1.9	3.2	6.8	30.8	4.2	5.8	1.8	0.0	3.7
		3.5				6.6				3.3				4.1			

Location: TH 65 at Osborne Road (CSAH 8)
 Count Date: 4/13/2017
 Counted By: JDA



AM PEAK HOUR TURNING MOVEMENT DATA
 All Vehicles

Start Time	TH 65				Osborne Road				TH 65				Osborne Road				Int. Total
	Southbound				Westbound				Northbound				Eastbound				
	Left	Thru	Right	Peds	Left	Thru	Right	Peds	Left	Thru	Right	Peds	Left	Thru	Right	Peds	
7:00	14	520	29	0	13	14	10	0	11	149	6	1	16	9	11	1	802
7:15	15	567	29	0	16	20	18	0	10	135	4	1	12	12	27	1	865
7:30	15	554	48	1	15	22	9	0	6	159	7	0	19	16	18	0	888
7:45	7	519	48	0	15	31	4	0	20	137	8	1	28	19	17	0	853
Total	51	2160	154	1	59	87	41	0	47	580	25	3	75	56	73	2	3408
% App. Total	2.2	91.3	6.5	0.0	2.5	3.7	1.7	0.0	2.0	24.5	1.1	0.1	3.2	2.4	3.1	0.1	
PHF	0.850	0.952	0.802	0.250	0.922	0.702	0.569	0.000	0.588	0.912	0.781	0.750	0.670	0.737	0.676	0.500	0.959
% Trucks	6.3	1.4	4.1	0.0	20.4	2.4	7.9	0.0	4.4	5.5	25.0	0.0	2.7	14.3	2.8	0.0	3.1
	1.7				8.7				6.0				5.7				

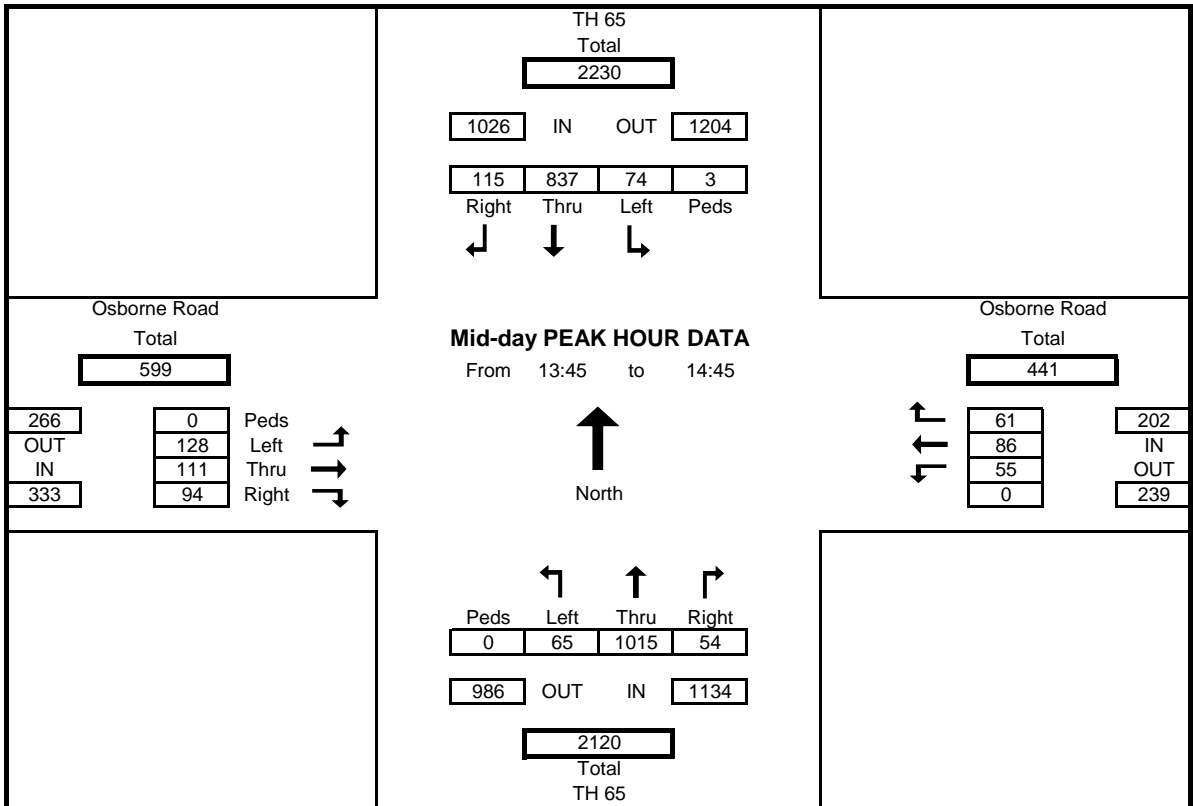


Location: TH 65 at Osborne Road (CSAH 8)
 Count Date: 4/13/2017
 Counted By: JDA



Mid-Day PEAK HOUR TURNING MOVEMENT DATA
 All Vehicles

Start Time	TH 65				Osborne Road				TH 65				Osborne Road				Int. Total
	Southbound				Westbound				Northbound				Eastbound				
	Left	Thru	Right	Peds	Left	Thru	Right	Peds	Left	Thru	Right	Peds	Left	Thru	Right	Peds	
13:45	16	210	26	1	15	12	13	0	10	224	9	0	29	23	28	0	615
14:00	19	203	29	2	13	25	26	0	17	208	13	0	40	26	21	0	640
14:15	26	206	26	0	8	27	10	0	17	262	22	0	29	25	27	0	685
14:30	13	218	34	0	19	22	12	0	21	321	10	0	30	37	18	0	755
Total	74	837	115	3	55	86	61	0	65	1015	54	0	128	111	94	0	2695
% App. Total	7.2	81.3	11.2	0.3	5.3	8.4	5.9	0.0	6.3	98.6	5.2	0.0	12.4	10.8	9.1	0.0	
PHF	0.712	0.960	0.846	0.375	0.724	0.796	0.587	0.000	0.774	0.790	0.614	0.000	0.800	0.750	0.839	0.000	0.892
% Trucks	4.2	4.6	3.6	0.0	17.0	10.3	8.9	0.0	1.6	2.4	3.8	0.0	3.2	3.7	4.4	0.0	4.0
	4.5				11.6				2.4				3.7				

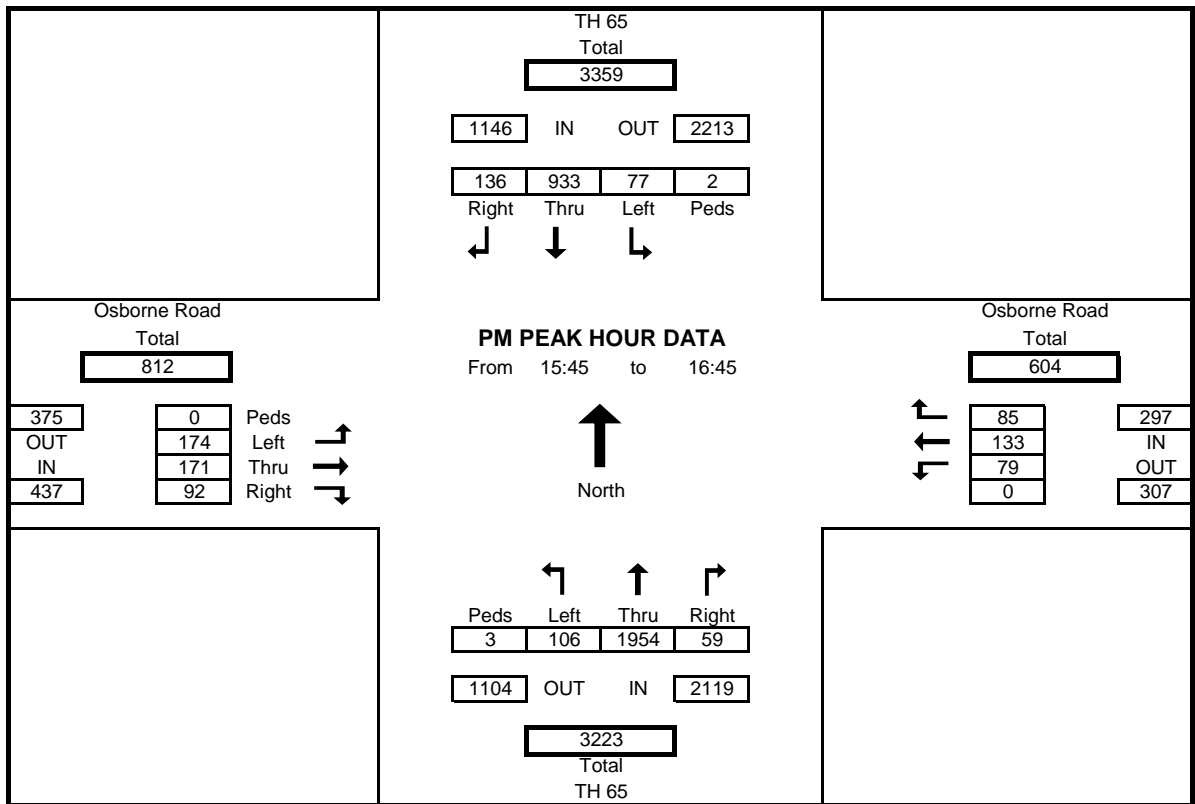


Location: TH 65 at Osborne Road (CSAH 8)
 Count Date: 4/13/2017
 Counted By: JDA



AM PEAK HOUR TURNING MOVEMENT DATA
 All Vehicles

Start Time	TH 65				Osborne Road				TH 65				Osborne Road				Int. Total
	Southbound				Westbound				Northbound				Eastbound				
	Left	Thru	Right	Peds	Left	Thru	Right	Peds	Left	Thru	Right	Peds	Left	Thru	Right	Peds	
15:45	18	231	39	0	24	29	18	0	30	427	15	2	53	55	21	0	960
16:00	23	219	31	1	22	20	16	0	21	500	19	0	44	42	24	0	981
16:15	12	241	30	1	14	46	24	0	26	519	16	0	37	32	25	0	1022
16:30	24	242	36	0	19	38	27	0	29	508	9	1	40	42	22	0	1036
Total	77	933	136	2	79	133	85	0	106	1954	59	3	174	171	92	0	3999
% App. Total	6.7	81.3	11.8	0.2	6.9	11.6	7.4	0.0	9.2	170.2	5.1	0.3	15.2	14.9	8.0	0.0	
PHF	0.802	0.964	0.872	0.500	0.823	0.723	0.787	0.000	0.883	0.941	0.776	0.375	0.821	0.777	0.920	0.000	0.965
% Trucks	13.2	2.3	4.6	0.0	1.3	8.1	2.4	0.0	0.0	2.2	1.7	0.0	4.8	6.9	1.1	0.0	2.9
	3.2				4.6				2.1				4.8				



Location: TH 65 at Osborne Road (CSAH 8)
 Count Date: 4/13/2017
 Counted By: JDA



TURNING MOVEMENT COUNT DATA

Cars+

Start Time	TH 65				Osborne Road				TH 65				Osborne Road				Int. Total	
	Southbound				Westbound				Northbound				Eastbound					
	Left	Thru	Right	Peds	Left	Thru	Right	Peds	Left	Thru	Right	Peds	Left	Thru	Right	Peds		
6:00	20	327	20	0	6	9	10	0	7	45	5	0	6	3	7	0	465	
6:15	22	413	25	0	5	7	4	0	4	76	10	0	11	18	11	0	606	
6:30	11	476	34	0	4	13	2	0	2	98	10	0	6	14	18	0	688	
6:45	17	481	42	0	9	20	5	0	13	121	10	0	11	9	11	0	749	
7:00	12	512	26	0	10	13	9	0	11	140	6	1	16	8	11	1	774	
7:15	15	561	28	0	11	19	18	0	9	130	3	1	11	8	26	1	839	
7:30	14	547	46	1	13	22	7	0	6	154	7	0	18	16	17	0	867	
7:45	7	510	48	0	15	31	4	0	19	126	4	1	28	17	17	0	826	
8:00	18	448	39	1	10	31	3	1	8	145	4	1	12	15	16	0	749	
8:15	14	369	33	0	13	17	3	0	14	130	4	0	22	13	15	0	647	
8:30	18	292	26	0	8	23	5	1	15	128	12	1	24	19	13	0	583	
8:45	17	289	56	0	11	27	9	0	16	140	13	0	27	16	20	0	641	
9:00	15	217	35	0	16	24	10	0	22	130	6	0	22	28	26	0	551	
9:15	17	209	36	1	16	18	6	0	16	138	9	0	17	12	20	0	514	
9:30	8	200	30	1	15	27	10	0	10	139	13	0	24	23	16	0	515	
9:45	13	194	31	0	12	16	10	0	19	159	9	1	19	22	18	0	522	
10:00	17	178	36	0	15	20	14	0	15	162	10	0	18	16	20	0	521	
10:15	17	156	27	1	18	22	11	0	23	127	8	0	21	18	24	0	472	
10:30	12	166	21	0	13	11	7	0	22	186	9	0	30	21	19	0	517	
10:45	18	166	28	0	10	22	9	0	13	140	7	0	24	15	24	0	476	
11:00	20	131	22	1	17	25	18	0	26	173	13	0	29	25	18	1	517	
11:15	17	179	31	0	18	17	17	0	13	174	10	0	29	22	21	0	548	
11:30	12	178	28	0	13	30	11	0	22	195	7	0	33	15	17	0	561	
11:45	22	190	22	1	20	20	12	0	22	183	10	0	36	28	21	1	586	
12:00	24	171	28	0	7	31	8	0	20	174	13	0	37	24	23	0	560	
12:15	15	177	36	3	11	34	14	0	20	211	8	0	33	23	28	0	610	
12:30	13	198	25	0	16	26	17	0	26	181	12	0	20	21	12	0	567	
12:45	15	173	35	0	8	32	9	0	22	179	12	0	36	31	15	0	567	
13:00	16	178	24	0	15	27	10	0	22	195	9	0	32	25	30	0	583	
13:15	19	188	26	0	5	21	14	0	19	171	8	0	38	23	29	0	561	
13:30	13	203	32	0	10	17	13	0	22	194	15	0	43	31	20	0	613	
13:45	15	195	25	1	15	12	13	0	10	216	9	0	29	23	27	0	589	
14:00	17	193	28	2	12	23	22	0	17	204	13	0	40	24	19	0	612	
14:15	26	198	25	0	8	24	9	0	16	257	20	0	28	24	27	0	662	
14:30	13	214	33	0	12	19	12	0	21	314	10	0	27	36	17	0	728	
14:45	12	198	28	0	23	29	11	0	26	348	21	0	42	29	19	0	786	
15:00	17	220	20	0	16	35	28	0	28	334	14	0	49	40	22	0	823	
15:15	15	197	31	0	10	25	14	0	26	337	10	0	43	28	24	0	760	
15:30	19	215	28	1	12	35	12	0	39	415	13	2	40	30	22	0	880	
15:45	18	225	35	0	24	28	16	0	30	412	14	2	50	50	21	0	923	
16:00	19	212	31	1	21	18	16	0	21	490	19	0	43	40	23	0	953	
16:15	11	236	29	1	14	42	24	0	26	508	16	0	35	30	25	0	996	
16:30	20	239	35	0	19	35	27	0	29	502	9	1	38	40	22	0	1015	
16:45	11	206	26	1	15	49	13	0	16	408	12	0	48	41	33	0	878	
17:00	12	194	36	0	19	28	21	0	28	510	18	0	43	43	23	1	975	
17:15	19	236	28	0	15	43	19	0	27	518	18	0	34	38	14	0	1009	
17:30	12	163	17	2	13	28	15	1	30	403	20	2	40	36	29	0	806	
17:45	20	199	20	0	11	38	17	0	16	334	22	0	31	20	14	0	742	
18:00	20	204	22	0	13	25	4	0	35	359	10	0	30	24	17	0	763	
18:15	21	195	21	3	10	23	14	0	28	322	15	0	21	27	16	0	713	
18:30	18	185	12	0	13	22	14	0	21	260	16	0	24	19	14	0	618	
18:45	16	194	17	5	19	19	11	0	16	202	10	0	29	16	11	0	560	
Total	839	12995	1523	27	684	1272	631	3	1004	12297	585	13	1497	1237	1022	5	35586	
Cars+	839	12995	1523	27	684	1272	631	3	1004	12297	585	13	1497	1237	1022	5	35586	
Trucks	64	390	88	0	54	72	46	0	19	393	40	4	63	72	18	0	1319	
% Trucks	7.6	3.0	5.8	0.0	7.9	5.7	7.3	0.0	1.9	3.2	6.8	30.8	4.2	5.8	1.8	0.0	3.7	
		3.5				6.6				3.3				4.1				3.7

Location: TH 65 at Osborne Road (CSAH 8)
 Count Date: 4/13/2017
 Counted By: JDA



TURNING MOVEMENT COUNT DATA
Heavy Vehicles

Start Time	TH 65				Osborne Road				TH 65				Osborne Road				Int. Total
	Southbound				Westbound				Northbound				Eastbound				
	Left	Thru	Right	Bikes	Left	Thru	Right	Bikes	Left	Thru	Right	Bikes	Left	Thru	Right	Bikes	
6:00	0	15	0	0	1	0	2	0	0	1	0	0	0	1	0	0	20
6:15	2	14	0	0	0	0	3	0	0	2	0	0	1	1	0	0	23
6:30	1	19	1	0	2	2	4	0	0	3	0	0	0	1	0	0	33
6:45	1	13	2	0	5	1	2	0	0	3	0	0	1	2	0	0	30
7:00	2	8	3	0	3	1	1	0	0	9	0	0	0	1	0	0	28
7:15	0	6	1	0	5	1	0	0	1	5	1	0	1	4	1	0	26
7:30	1	7	2	0	2	0	2	0	0	5	0	0	1	0	1	0	21
7:45	0	9	0	0	0	0	0	0	1	11	4	0	0	2	0	0	27
8:00	1	10	0	0	3	4	3	0	0	22	2	0	1	1	0	0	47
8:15	3	12	2	0	2	1	1	0	0	14	1	0	1	1	1	0	39
8:30	1	5	2	0	0	5	0	0	0	9	0	0	1	1	0	0	24
8:45	0	10	10	0	0	4	0	0	0	10	2	0	2	0	0	0	38
9:00	0	9	1	0	1	1	0	0	0	9	10	0	2	3	0	0	36
9:15	4	12	3	0	2	1	0	0	1	6	2	0	4	6	0	0	41
9:30	3	5	4	0	0	3	0	0	2	4	0	0	2	2	1	0	26
9:45	2	8	4	0	1	0	1	0	1	9	2	0	2	2	2	0	34
10:00	0	5	5	0	1	2	1	0	0	5	0	0	1	0	1	0	21
10:15	1	10	0	0	1	2	3	0	0	0	0	0	0	2	0	0	19
10:30	1	8	3	0	0	2	0	0	1	7	0	0	2	2	0	0	26
10:45	1	11	1	0	1	0	3	0	1	8	2	0	1	1	0	0	30
11:00	0	9	2	0	0	4	0	0	1	8	1	0	3	0	0	0	28
11:15	1	6	1	0	3	2	0	0	1	9	1	0	3	2	0	0	29
11:30	2	9	0	0	2	4	1	0	0	11	0	0	0	0	1	0	30
11:45	0	9	0	0	0	0	1	0	0	12	1	0	3	2	3	0	31
12:00	1	8	4	0	0	2	1	0	0	9	1	0	2	1	0	0	29
12:15	3	7	1	0	3	0	0	0	0	10	2	0	2	0	1	0	29
12:30	2	9	3	0	0	1	3	0	0	6	1	0	1	0	0	0	26
12:45	2	9	3	0	0	0	0	0	0	8	0	0	4	1	0	0	27
13:00	0	8	3	0	2	2	0	0	0	11	0	0	2	3	0	0	31
13:15	0	7	1	0	0	0	0	0	1	12	0	0	0	3	0	0	24
13:30	0	6	1	0	0	0	1	0	0	8	0	0	2	1	0	0	19
13:45	1	15	1	0	0	0	0	0	0	8	0	0	0	0	1	0	26
14:00	2	10	1	0	1	2	4	0	0	4	0	0	0	2	2	0	28
14:15	0	8	1	0	0	3	1	0	1	5	2	0	1	1	0	0	23
14:30	0	4	1	0	7	3	0	0	0	7	0	0	3	1	1	0	27
14:45	4	10	0	0	1	2	1	0	0	11	1	0	1	0	0	0	31
15:00	1	8	2	0	0	1	2	0	1	9	0	0	0	2	0	0	26
15:15	4	12	1	0	3	1	0	0	2	12	0	0	2	0	0	0	37
15:30	2	4	8	0	0	2	0	0	1	14	0	0	2	1	0	0	34
15:45	0	6	4	0	0	1	2	0	0	15	1	0	3	5	0	0	37
16:00	4	7	0	0	1	2	0	0	0	10	0	0	1	2	1	0	28
16:15	1	5	1	0	0	4	0	0	0	11	0	0	2	2	0	0	26
16:30	4	3	1	0	0	3	0	0	0	6	0	0	2	2	0	0	21
16:45	1	2	1	0	1	0	1	0	0	6	0	0	0	4	0	0	16
17:00	0	1	1	0	0	1	1	0	0	6	1	0	0	0	0	0	11
17:15	0	3	0	0	0	0	0	0	2	6	0	0	0	1	0	0	12
17:30	1	4	0	0	0	0	0	0	0	5	0	1	0	1	1	0	12
17:45	0	1	1	0	0	0	0	0	1	5	1	0	0	1	0	0	10
18:00	1	2	0	0	0	0	0	0	0	7	1	0	0	1	0	0	12
18:15	1	0	0	0	0	0	1	0	0	0	0	0	0	0	0	0	2
18:30	1	1	0	0	0	2	0	0	0	0	0	3	1	0	0	0	5
18:45	1	1	1	0	0	0	0	0	0	0	0	0	0	0	0	0	3
Total	64	390	88	0	54	72	46	0	19	393	40	4	63	72	18	0	1319
Cars+	839	12995	1523	27	684	1272	631	3	1004	12297	585	13	1497	1237	1022	5	35586
Trucks	64	390	88	0	54	72	46	0	19	393	40	4	63	72	18	0	1319
% Trucks	7.6	3.0	5.8	0.0	7.9	5.7	7.3	0.0	1.9	3.2	6.8	30.8	4.2	5.8	1.8	0.0	3.7
	3.5				6.6				3.3				4.1				