

Location: TH 65 at 99th Avenue
 Count Date: 4/11/2017
 Counted By: JDA



TURNING MOVEMENT COUNT DATA
 All Vehicles

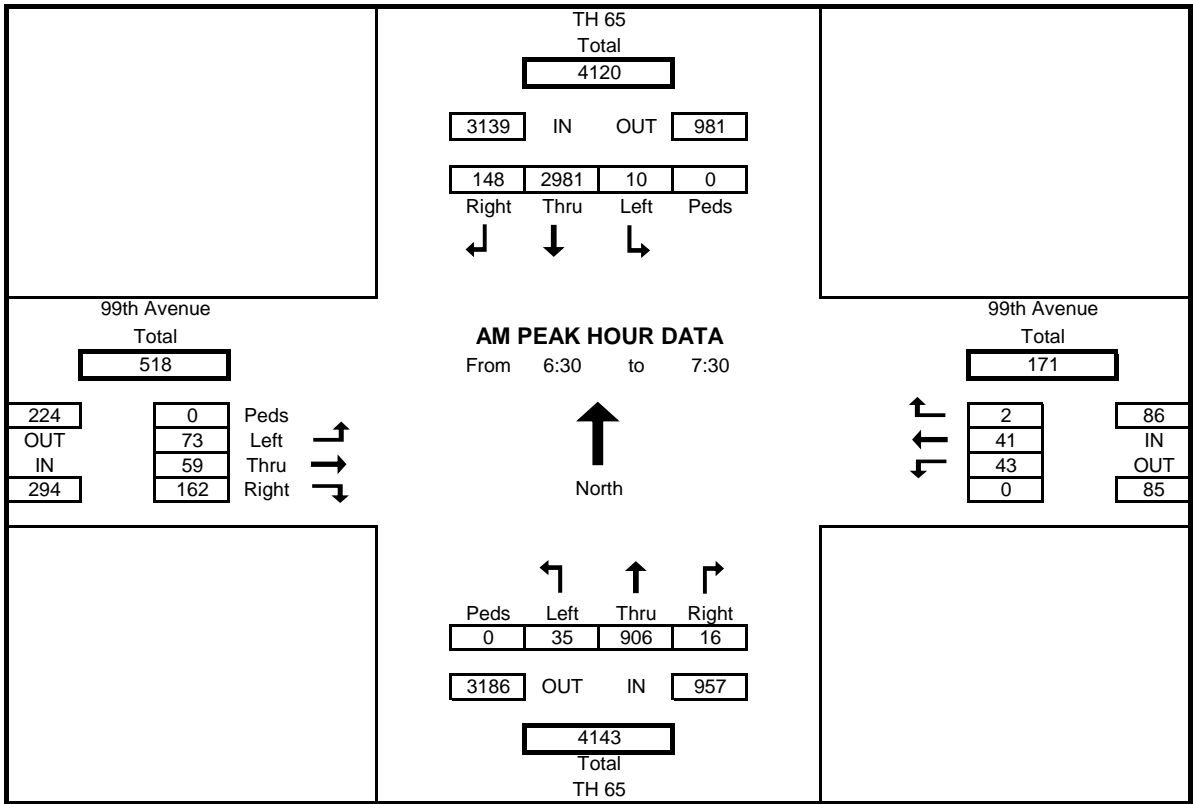
Start Time	TH 65				99th Avenue				TH 65				99th Avenue				Int. Total
	Southbound				Westbound				Northbound				Eastbound				
	Left	Thru	Right	Peds	Left	Thru	Right	Peds	Left	Thru	Right	Peds	Left	Thru	Right	Peds	
6:00	4	603	38	0	7	4	0	0	9	97	4	0	12	4	39	0	821
6:15	4	758	30	0	8	0	1	0	8	170	9	0	7	3	33	0	1031
6:30	0	732	33	0	8	4	0	0	10	193	1	0	24	15	37	0	1057
6:45	4	756	31	0	6	5	0	0	8	245	3	0	18	22	42	0	1140
7:00	3	761	43	0	13	15	0	0	11	228	10	0	12	7	38	0	1141
7:15	3	732	41	0	16	17	2	0	6	240	2	0	19	15	45	0	1138
7:30	2	494	30	0	12	16	2	0	7	267	9	0	18	11	33	0	901
7:45	5	686	32	0	23	9	1	0	16	293	7	0	22	24	33	0	1151
8:00	2	674	47	0	21	21	0	0	12	299	20	0	21	17	40	0	1174
8:15	4	678	48	0	12	8	0	0	9	285	12	0	22	8	33	0	1119
8:30	2	548	27	0	15	14	3	0	12	212	3	0	20	8	39	0	903
8:45	3	494	34	0	16	5	0	0	13	312	18	0	17	16	40	0	968
9:00	5	448	38	0	22	21	1	0	20	258	14	0	27	19	45	0	918
9:15	1	441	42	0	16	12	0	0	16	274	14	0	31	19	36	0	902
9:30	2	427	28	0	24	15	2	0	8	292	9	0	29	5	34	0	875
9:45	2	358	32	0	21	7	3	0	8	333	13	0	10	9	26	0	822
10:00	4	325	30	0	27	10	1	0	13	347	13	0	26	19	24	0	839
10:15	5	338	27	0	31	14	6	0	14	322	10	0	22	8	31	0	828
10:30	6	303	30	0	41	21	3	0	14	279	18	0	32	11	30	0	788
10:45	3	353	23	0	14	18	6	0	12	350	15	0	28	11	23	0	856
11:00	6	327	33	0	29	14	2	0	12	313	18	0	20	10	27	0	811
11:15	7	345	27	0	37	13	4	0	15	346	6	0	34	14	16	0	864
11:30	8	345	22	0	41	19	1	0	21	340	12	0	28	11	20	0	868
11:45	2	350	29	0	44	24	5	0	11	350	6	0	28	8	25	0	882
12:00	5	303	39	0	33	19	3	0	11	393	15	0	31	13	29	0	894
12:15	6	362	42	0	33	16	2	0	11	364	16	0	32	6	25	0	915
12:30	2	353	27	0	43	20	3	0	12	376	9	0	28	14	23	0	910
12:45	4	360	34	0	39	16	5	0	16	381	12	0	35	12	16	0	930
13:00	5	328	29	0	38	22	4	0	8	370	20	0	17	12	24	0	877
13:15	6	316	36	0	44	14	4	0	8	433	14	0	38	10	35	0	958
13:30	4	388	23	0	21	21	3	0	12	377	10	0	37	14	13	0	923
13:45	6	331	32	0	25	15	7	0	13	422	12	0	9	15	31	0	918
14:00	0	326	31	0	46	19	2	0	11	449	12	0	32	11	31	0	970
14:15	8	280	34	0	45	26	3	0	22	495	10	0	31	15	16	0	985
14:30	7	379	25	0	38	10	4	0	10	566	13	0	32	20	16	0	1120
14:45	6	337	32	0	32	22	6	0	18	565	12	0	49	13	22	0	1114
15:00	6	276	26	0	35	38	1	0	18	546	4	0	35	18	20	0	1023
15:15	5	330	45	0	22	24	3	0	19	606	9	0	39	18	24	0	1144
15:30	8	364	34	0	40	43	8	0	18	568	2	0	46	20	21	0	1172
15:45	4	329	45	0	22	21	9	0	17	618	6	0	40	20	25	0	1156
16:00	4	377	41	0	35	36	4	0	9	560	8	0	61	23	26	0	1184
16:15	2	382	40	0	39	44	4	0	24	578	6	0	50	31	29	0	1229
16:30	6	406	44	0	42	30	5	0	14	620	6	0	29	22	19	0	1243
16:45	1	399	52	0	44	38	6	0	20	582	3	0	46	34	23	0	1248
17:00	0	358	50	0	38	32	6	0	16	636	9	1	49	18	27	1	1239
17:15	7	326	48	0	33	45	8	0	19	509	4	0	44	31	21	0	1095
17:30	4	360	53	0	42	33	10	0	26	587	10	0	47	26	22	0	1220
17:45	4	340	52	0	25	24	6	0	15	603	10	0	44	19	26	0	1168
18:00	5	367	49	1	48	37	6	0	32	549	3	0	51	25	28	0	1200
18:15	3	298	37	0	27	20	4	0	19	592	9	0	35	23	24	0	1091
18:30	4	318	34	0	35	23	1	0	25	493	2	0	46	19	23	0	1023
18:45	2	279	36	1	23	27	3	0	20	508	15	0	52	22	31	0	1018
Total	211	21848	1865	2	1491	1041	173	0	748	20991	507	1	1612	818	1459	1	52764
Cars+	203	21258	1787	0	1426	1015	166	0	708	20202	456	0	1564	791	1423	0	50999
Trucks	8	590	78	2	50	17	4	0	40	789	51	1	48	27	36	1	1738
% Trucks	3.9	2.8	4.4	#DIV/0!	3.5	1.7	2.4	0.0	5.6	3.9	11.2	#DIV/0!	3.1	3.4	2.5	#DIV/0!	3.4
	2.9				2.7				4.1				2.9				

Location: TH 65 at 99th Avenue
 Count Date: 4/11/2017
 Counted By: JDA



AM PEAK HOUR TURNING MOVEMENT DATA
 All Vehicles

Start Time	TH 65 Southbound				99th Avenue Westbound				TH 65 Northbound				99th Avenue Eastbound				Int. Total
	Left	Thru	Right	Peds	Left	Thru	Right	Peds	Left	Thru	Right	Peds	Left	Thru	Right	Peds	
	6:30	0	732	33	0	8	4	0	0	10	193	1	0	24	15	37	
6:45	4	756	31	0	6	5	0	0	8	245	3	0	18	22	42	0	1140
7:00	3	761	43	0	13	15	0	0	11	228	10	0	12	7	38	0	1141
7:15	3	732	41	0	16	17	2	0	6	240	2	0	19	15	45	0	1138
Total	10	2981	148	0	43	41	2	0	35	906	16	0	73	59	162	0	4476
% App. Total	0.3	95.0	4.7	0.0	1.4	1.3	0.1	0.0	1.1	28.9	0.5	0.0	2.3	1.9	5.2	0.0	
PHF	0.625	0.979	0.860	0.000	0.672	0.603	0.250	0.000	0.795	0.924	0.400	0.000	0.760	0.670	0.900	0.000	0.981
% Trucks	11.1	1.6	2.8	0.0	0.0	0.0	0.0	0.0	20.7	5.2	0.0	0.0	1.4	0.0	0.6	0.0	2.4
	1.7				0.0				5.6				0.7				

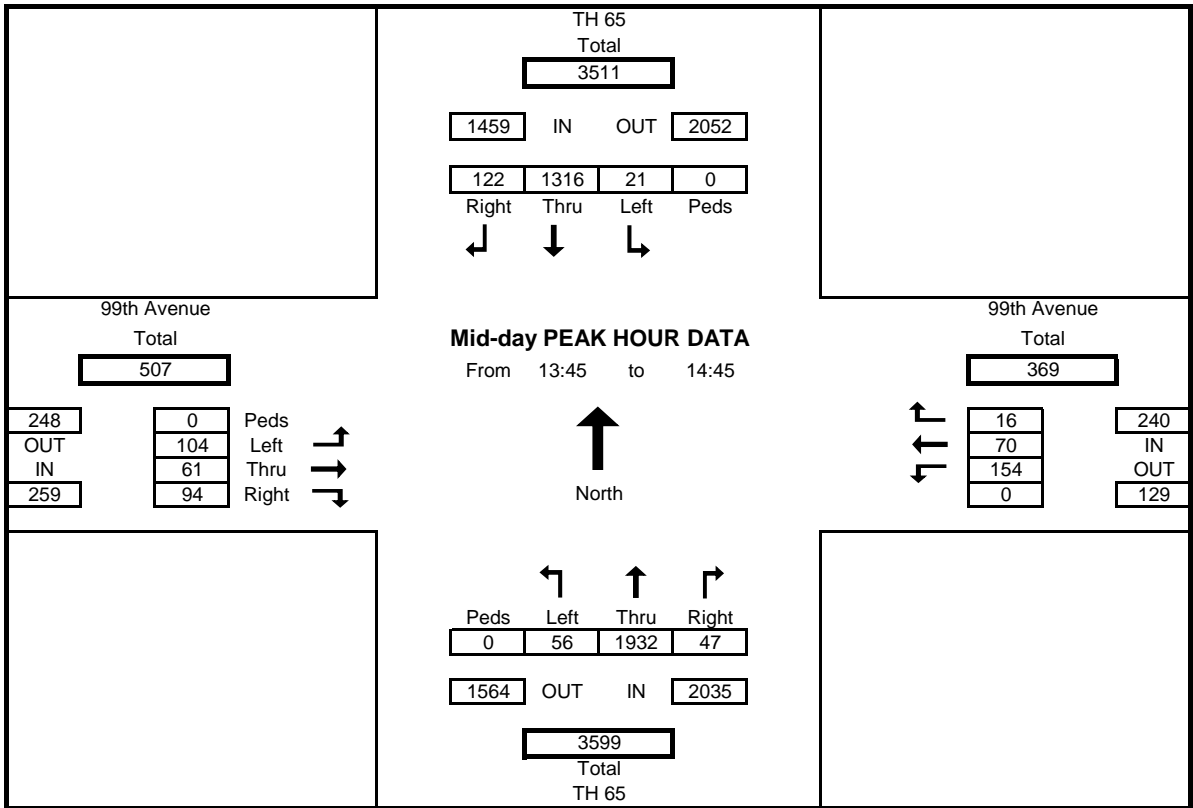


Location: TH 65 at 99th Avenue
 Count Date: 4/11/2017
 Counted By: JDA



Mid-Day PEAK HOUR TURNING MOVEMENT DATA
 All Vehicles

Start Time	TH 65				99th Avenue				TH 65				99th Avenue				Int. Total
	Southbound				Westbound				Northbound				Eastbound				
	Left	Thru	Right	Peds	Left	Thru	Right	Peds	Left	Thru	Right	Peds	Left	Thru	Right	Peds	
13:45	6	331	32	0	25	15	7	0	13	422	12	0	9	15	31	0	918
14:00	0	326	31	0	46	19	2	0	11	449	12	0	32	11	31	0	970
14:15	8	280	34	0	45	26	3	0	22	495	10	0	31	15	16	0	985
14:30	7	379	25	0	38	10	4	0	10	566	13	0	32	20	16	0	1120
Total	21	1316	122	0	154	70	16	0	56	1932	47	0	104	61	94	0	3993
% App. Total	1.4	90.2	8.4	0.0	10.6	4.8	1.1	0.0	3.8	132.4	3.2	0.0	7.1	4.2	6.4	0.0	
PHF	0.656	0.868	0.897	0.000	0.837	0.673	0.571	0.000	0.636	0.853	0.904	0.000	0.813	0.763	0.758	0.000	0.891
% Trucks	5.0	3.3	4.3	0.0	2.0	0.0	0.0	0.0	1.8	4.8	9.3	0.0	3.0	3.4	1.1	0.0	3.9
	3.4				1.3				4.8				2.4				

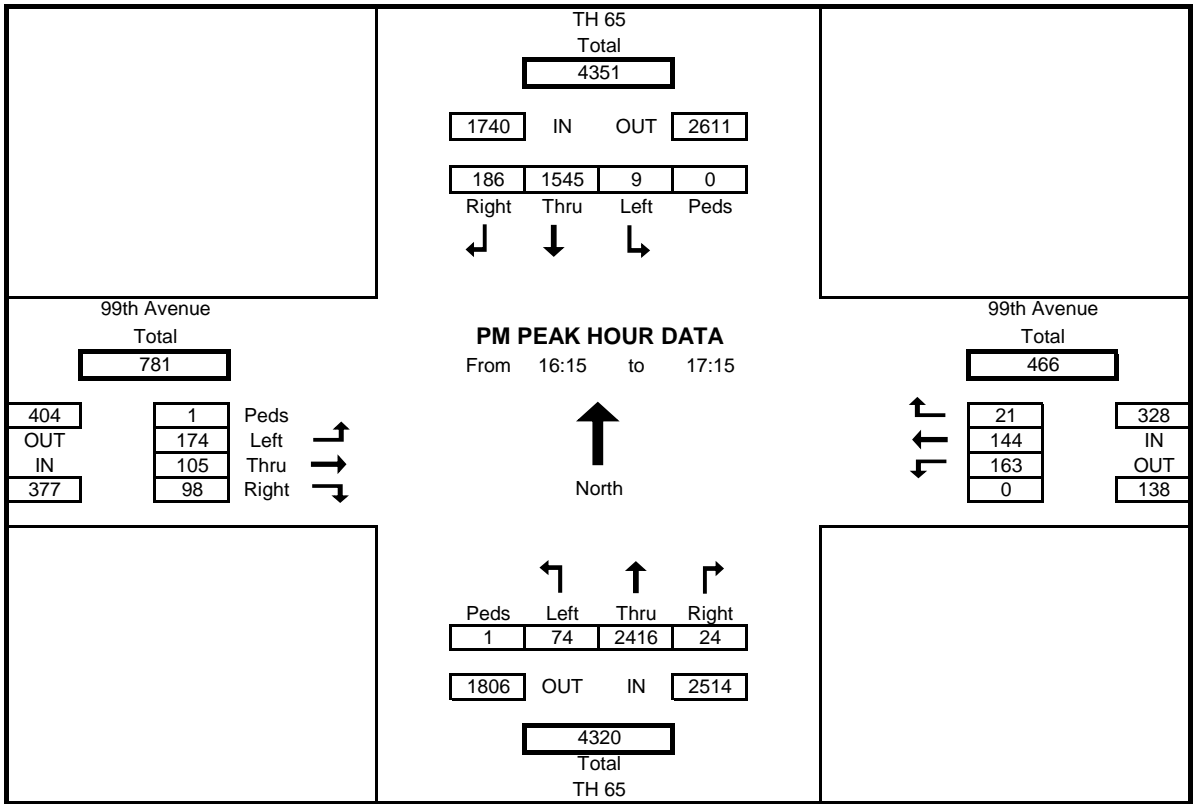


Location: TH 65 at 99th Avenue
 Count Date: 4/11/2017
 Counted By: JDA



AM PEAK HOUR TURNING MOVEMENT DATA
 All Vehicles

Start Time	TH 65				99th Avenue				TH 65				99th Avenue				Int. Total
	Southbound				Westbound				Northbound				Eastbound				
	Left	Thru	Right	Peds	Left	Thru	Right	Peds	Left	Thru	Right	Peds	Left	Thru	Right	Peds	
16:15	2	382	40	0	39	44	4	0	24	578	6	0	50	31	29	0	1229
16:30	6	406	44	0	42	30	5	0	14	620	6	0	29	22	19	0	1243
16:45	1	399	52	0	44	38	6	0	20	582	3	0	46	34	23	0	1248
17:00	0	358	50	0	38	32	6	0	16	636	9	1	49	18	27	1	1239
Total	9	1545	186	0	163	144	21	0	74	2416	24	1	174	105	98	1	4959
% App. Total	0.5	88.8	10.7	0.0	9.4	8.3	1.2	0.0	4.3	138.9	1.4	0.1	10.0	6.0	5.6	0.1	
PHF	0.375	0.951	0.894	0.000	0.926	0.818	0.875	0.000	0.771	0.950	0.667	0.250	0.870	0.772	0.845	0.250	0.993
% Trucks	0.0	1.5	1.6	0.0	0.6	2.1	0.0	0.0	0.0	1.4	4.3	#DIV/0!	3.0	2.9	4.3	#DIV/0!	1.6
			1.5			1.2				1.4				3.3			



Location: TH 65 at 99th Avenue
 Count Date: 4/11/2017
 Counted By: JDA



TURNING MOVEMENT COUNT DATA

Cars+

Start Time	TH 65				99th Avenue				TH 65				99th Avenue				Int. Total
	Southbound				Westbound				Northbound				Eastbound				
	Left	Thru	Right	Peds	Left	Thru	Right	Peds	Left	Thru	Right	Peds	Left	Thru	Right	Peds	
6:00	4	588	37	0	7	4	0	0	9	95	4	0	12	4	39	0	803
6:15	4	739	30	0	6	0	1	0	7	165	9	0	7	3	33	0	1004
6:30	0	717	31	0	6	4	0	0	9	184	1	0	24	15	37	0	1028
6:45	4	747	30	0	6	5	0	0	5	235	3	0	18	22	41	0	1116
7:00	2	752	43	0	11	13	0	0	9	212	10	0	12	7	38	0	1109
7:15	3	717	40	0	15	14	1	0	6	230	2	0	18	15	45	0	1106
7:30	2	478	30	0	12	16	2	0	7	248	9	0	16	11	33	0	864
7:45	5	667	29	0	22	9	0	0	12	270	5	0	20	23	32	0	1094
8:00	2	658	44	0	21	20	0	0	12	281	19	0	17	17	40	0	1131
8:15	3	661	44	0	11	7	0	0	7	265	12	0	22	8	33	0	1073
8:30	2	537	25	0	15	14	2	0	12	194	3	0	20	6	39	0	869
8:45	3	479	34	0	14	5	0	0	13	289	14	0	16	15	39	0	921
9:00	5	436	34	0	20	21	1	0	18	240	11	0	25	18	41	0	870
9:15	1	422	40	0	16	12	0	0	14	262	13	0	29	19	35	0	863
9:30	2	417	26	0	22	14	2	0	6	274	7	0	28	2	34	0	834
9:45	2	353	29	0	21	6	3	0	7	318	13	0	10	8	25	0	795
10:00	3	310	28	0	23	10	1	0	11	331	10	0	25	19	21	0	792
10:15	4	330	25	0	27	14	6	0	12	301	8	0	20	8	31	0	786
10:30	6	296	27	0	40	21	3	0	13	270	16	0	29	9	26	0	756
10:45	3	339	19	0	13	17	5	0	11	324	11	0	28	10	22	0	802
11:00	6	306	31	0	26	14	2	0	11	301	16	0	20	10	26	0	769
11:15	7	325	25	0	37	13	4	0	15	334	4	0	32	14	16	0	826
11:30	8	335	21	0	38	19	1	0	19	334	10	0	28	10	20	0	843
11:45	2	334	26	0	42	22	5	0	10	336	4	0	26	8	25	0	840
12:00	5	292	37	0	30	18	2	0	11	364	12	0	30	13	28	0	842
12:15	6	343	42	0	31	16	1	0	11	343	13	0	31	6	24	0	867
12:30	2	337	24	0	41	20	3	0	12	358	8	0	26	14	23	0	868
12:45	2	347	32	0	37	16	5	0	15	364	11	0	34	12	16	0	891
13:00	5	313	27	0	34	22	4	0	8	345	19	0	17	12	23	0	829
13:15	6	308	34	0	41	14	4	0	7	406	13	0	36	10	33	0	912
13:30	3	373	22	0	18	20	3	0	10	369	10	0	36	14	13	0	891
13:45	6	324	30	0	25	15	7	0	13	406	10	0	9	14	31	0	890
14:00	0	316	29	0	45	19	2	0	10	429	12	0	32	11	31	0	936
14:15	8	272	33	0	43	26	3	0	22	470	10	0	29	15	16	0	947
14:30	6	362	25	0	38	10	4	0	10	538	11	0	31	19	15	0	1069
14:45	6	326	32	0	28	21	6	0	18	541	10	0	48	11	20	0	1067
15:00	6	270	26	0	35	35	1	0	18	529	2	0	35	18	19	0	994
15:15	5	322	44	0	21	22	3	0	16	582	9	0	39	16	24	0	1103
15:30	8	350	31	0	37	43	8	0	18	553	2	0	41	18	19	0	1128
15:45	4	322	42	0	22	20	9	0	17	603	6	0	39	19	23	0	1126
16:00	4	373	39	0	34	35	4	0	9	550	8	0	61	21	25	0	1163
16:15	2	374	38	0	39	41	4	0	24	572	5	0	46	30	27	0	1202
16:30	6	399	44	0	42	30	5	0	14	611	6	0	29	21	19	0	1226
16:45	1	395	52	0	43	38	6	0	20	571	3	0	46	33	22	0	1230
17:00	0	354	49	0	38	32	6	0	16	629	9	0	48	18	26	0	1225
17:15	7	320	48	0	33	45	8	0	18	499	4	0	44	31	21	0	1078
17:30	4	353	51	0	42	33	10	0	26	573	10	0	47	26	22	0	1197
17:45	4	334	52	0	25	24	5	0	15	590	10	0	44	19	26	0	1148
18:00	5	359	49	0	48	36	6	0	32	545	3	0	51	25	28	0	1187
18:15	3	289	37	0	27	20	4	0	18	582	9	0	35	23	24	0	1071
18:30	4	314	34	0	35	23	1	0	25	486	2	0	46	19	23	0	1012
18:45	2	274	36	0	23	27	3	0	20	501	15	0	52	22	31	0	1006
Total	203	21258	1787	0	1426	1015	166	0	708	20202	456	0	1564	791	1423	0	50999
Cars+	203	21258	1787	0	1426	1015	166	0	708	20202	456	0	1564	791	1423	0	50999
Trucks	8	590	78	2	50	17	4	0	40	789	51	1	48	27	36	1	1738
% Trucks	3.9	2.8	4.4	0.0	3.5	1.7	2.4	0.0	5.6	3.9	11.2	0.0	3.1	3.4	2.5	0.0	3.4
		2.9				2.7				4.1				2.9			

Location: TH 65 at 99th Avenue
 Count Date: 4/11/2017
 Counted By: JDA



TURNING MOVEMENT COUNT DATA
Heavy Vehicles

Start Time	TH 65				99th Avenue				TH 65				99th Avenue				Int. Total	
	Southbound				Westbound				Northbound				Eastbound					
	Left	Thru	Right	Bikes	Left	Thru	Right	Bikes	Left	Thru	Right	Bikes	Left	Thru	Right	Bikes		
6:00	0	15	1	0	0	0	0	0	0	2	0	0	0	0	0	0	0	18
6:15	0	19	0	0	2	0	0	0	1	5	0	0	0	0	0	0	0	25
6:30	0	15	2	0	2	0	0	0	1	9	0	0	0	0	0	0	0	27
6:45	0	9	1	0	0	0	0	0	3	10	0	0	0	0	0	1	0	24
7:00	1	9	0	0	2	2	0	0	2	16	0	0	0	0	0	0	0	28
7:15	0	15	1	0	1	3	1	0	0	10	0	0	1	0	0	0	0	27
7:30	0	16	0	0	0	0	0	0	0	19	0	0	2	0	0	0	0	37
7:45	0	19	3	0	1	0	1	0	4	23	2	0	2	1	1	0	0	55
8:00	0	16	3	0	0	1	0	0	0	18	1	0	4	0	0	0	0	42
8:15	1	17	4	0	1	1	0	0	2	20	0	0	0	0	0	0	0	44
8:30	0	11	2	0	0	0	1	0	0	18	0	0	0	2	0	0	0	33
8:45	0	15	0	0	2	0	0	0	0	23	4	0	1	1	1	0	0	45
9:00	0	12	4	0	2	0	0	0	2	18	3	0	2	1	4	0	0	46
9:15	0	19	2	0	0	0	0	0	2	12	1	0	2	0	1	0	0	39
9:30	0	10	2	0	2	1	0	0	2	18	2	0	1	3	0	0	0	38
9:45	0	5	3	0	0	1	0	0	1	15	0	0	0	1	1	0	0	26
10:00	1	15	2	0	4	0	0	0	2	16	3	0	1	0	3	0	0	47
10:15	1	8	2	0	4	0	0	0	2	21	2	0	2	0	0	0	0	42
10:30	0	7	3	0	1	0	0	0	1	9	2	0	3	2	4	0	0	32
10:45	0	14	4	0	1	1	1	0	1	26	4	0	0	1	1	0	0	54
11:00	0	21	2	0	3	0	0	0	1	12	2	0	0	0	1	0	0	42
11:15	0	20	2	0	0	0	0	0	0	12	2	0	2	0	0	0	0	38
11:30	0	10	1	0	3	0	0	0	2	6	2	0	0	1	0	0	0	25
11:45	0	16	3	0	2	2	0	0	1	14	2	0	2	0	0	0	0	42
12:00	0	11	2	0	3	1	1	0	0	29	3	0	1	0	1	0	0	52
12:15	0	19	0	0	2	0	1	0	0	21	3	0	1	0	1	0	0	48
12:30	0	16	3	0	2	0	0	0	0	18	1	0	2	0	0	0	0	42
12:45	2	13	2	0	2	0	0	0	1	17	1	0	1	0	0	0	0	39
13:00	0	15	2	0	4	0	0	0	0	25	1	0	0	0	1	0	0	48
13:15	0	8	2	0	3	0	0	0	1	27	1	0	2	0	2	0	0	46
13:30	1	15	1	0	3	1	0	0	2	8	0	0	1	0	0	0	0	32
13:45	0	7	2	0	0	0	0	0	0	16	2	0	0	1	0	0	0	28
14:00	0	10	2	0	1	0	0	0	1	20	0	0	0	0	0	0	0	34
14:15	0	8	1	0	2	0	0	0	0	25	0	0	2	0	0	0	0	38
14:30	1	17	0	0	0	0	0	0	0	28	2	0	1	1	1	0	0	51
14:45	0	11	0	0	4	1	0	0	0	24	2	0	1	2	2	0	0	47
15:00	0	6	0	0	0	3	0	0	0	17	2	0	0	0	1	0	0	29
15:15	0	8	1	0	1	2	0	0	3	24	0	0	0	2	0	0	0	41
15:30	0	14	3	0	3	0	0	0	0	15	0	0	5	2	2	0	0	44
15:45	0	7	3	0	0	1	0	0	0	15	0	0	1	1	2	0	0	30
16:00	0	4	2	0	1	1	0	0	0	10	0	0	0	2	1	0	0	21
16:15	0	8	2	0	0	3	0	0	0	6	1	0	4	1	2	0	0	27
16:30	0	7	0	0	0	0	0	0	0	9	0	0	0	1	0	0	0	17
16:45	0	4	0	0	1	0	0	0	0	11	0	0	0	1	1	0	0	18
17:00	0	4	1	0	0	0	0	0	0	7	0	1	1	0	1	1	0	14
17:15	0	6	0	0	0	0	0	0	1	10	0	0	0	0	0	0	0	17
17:30	0	7	2	0	0	0	0	0	0	14	0	0	0	0	0	0	0	23
17:45	0	6	0	0	0	0	1	0	0	13	0	0	0	0	0	0	0	20
18:00	0	8	0	1	0	1	0	0	0	4	0	0	0	0	0	0	0	13
18:15	0	9	0	0	0	0	0	0	1	10	0	0	0	0	0	0	0	20
18:30	0	4	0	0	0	0	0	0	0	7	0	0	0	0	0	0	0	11
18:45	0	5	0	1	0	0	0	0	0	7	0	0	0	0	0	0	0	12
Total	8	590	78	2	50	17	4	0	40	789	51	1	48	27	36	1	0	1738
Cars+	203	21258	1787	0	1426	1015	166	0	708	20202	456	0	1564	791	1423	0	0	50999
Trucks	8	590	78	2	50	17	4	0	40	789	51	1	48	27	36	1	0	1738
% Trucks	3.9	2.8	4.4	#DIV/0!	3.5	1.7	2.4	0.0	5.6	3.9	11.2	#DIV/0!	3.1	3.4	2.5	#DIV/0!	0	3.4
			2.9				2.7				4.1				2.9			