

Location: TH 65 at 105th Avenue (CSAH 87)  
 Count Date: 4/11/2017  
 Counted By: JDA



**TURNING MOVEMENT COUNT DATA**

**All Vehicles**

Start Time	TH 65				105th Ave				TH 65				105th Ave				Int. Total
	Southbound				Westbound				Northbound				Eastbound				
	Left	Thru	Right	Peds	Left	Thru	Right	Peds	Left	Thru	Right	Peds	Left	Thru	Right	Peds	
6:00	14	715	0	0	19	1	4	0	0	110	19	0	1	0	0	0	883
6:15	15	777	0	0	25	0	3	0	2	141	7	0	0	3	0	0	973
6:30	5	730	1	0	44	1	1	0	1	213	25	0	4	5	2	0	1032
6:45	22	738	2	0	62	0	6	0	0	187	34	0	3	4	0	0	1058
7:00	12	748	1	0	41	2	6	0	1	235	28	0	5	4	0	0	1083
7:15	18	707	0	0	67	4	3	0	1	227	24	0	2	2	0	0	1055
7:30	16	711	0	0	66	1	4	0	4	221	25	1	1	1	2	0	1052
7:45	13	685	0	0	81	2	7	0	6	301	27	1	2	2	0	0	1126
8:00	32	654	2	0	59	0	7	0	3	246	27	0	4	6	1	0	1041
8:15	13	585	2	0	35	2	5	0	3	286	20	1	4	2	3	0	960
8:30	28	538	3	0	40	0	6	0	1	247	20	0	6	4	2	0	895
8:45	26	491	1	0	39	3	13	0	7	282	20	0	5	2	1	0	890
9:00	43	459	1	0	47	0	8	0	2	283	24	0	6	2	2	0	877
9:15	41	442	1	0	28	2	10	0	3	258	22	0	1	3	1	0	812
9:30	28	377	0	0	45	4	11	0	5	292	29	0	3	3	2	0	799
9:45	29	369	3	0	33	3	9	0	7	341	14	1	3	1	1	0	813
10:00	31	309	0	0	26	2	12	0	4	239	18	0	11	3	3	0	658
10:15	34	341	1	0	22	1	9	0	10	288	27	0	3	2	5	0	743
10:30	38	306	0	0	47	0	17	0	8	284	23	0	4	2	2	0	731
10:45	26	329	2	0	28	2	16	0	6	330	21	0	3	3	5	0	771
11:00	33	307	3	0	46	2	14	0	3	318	25	0	3	2	6	0	762
11:15	42	347	4	0	45	3	16	0	4	341	30	0	3	1	0	0	836
11:30	31	332	3	0	42	4	21	0	3	343	30	0	4	2	3	0	818
11:45	40	310	0	0	46	6	19	0	10	353	26	0	5	4	2	0	821
12:00	38	303	0	0	51	3	12	0	9	379	32	0	10	5	5	0	847
12:15	45	340	3	0	55	1	23	0	6	359	23	0	6	4	5	0	870
12:30	22	336	1	0	43	1	21	0	18	353	30	0	7	1	3	0	836
12:45	45	327	2	0	43	5	21	0	9	378	25	0	6	3	3	0	867
13:00	32	327	0	0	43	3	22	0	6	383	27	0	8	2	4	0	857
13:15	43	319	0	0	48	2	22	0	7	402	29	0	8	3	2	0	885
13:30	39	316	3	0	57	3	22	0	8	363	26	0	3	2	6	0	848
13:45	28	302	2	0	56	3	24	0	9	365	29	0	8	3	3	0	832
14:00	28	304	2	0	38	3	17	0	9	444	15	0	7	3	3	0	873
14:15	20	319	2	0	44	2	17	0	3	545	27	0	8	1	3	0	991
14:30	26	311	1	0	55	6	23	0	4	513	38	2	7	6	3	0	993
14:45	38	313	2	0	52	2	33	0	5	595	33	0	6	4	3	0	1086
15:00	24	322	7	0	38	2	22	0	10	616	21	2	5	2	3	0	1072
15:15	39	283	2	0	47	0	21	0	5	533	31	3	3	2	8	0	974
15:30	17	374	2	0	49	5	29	0	2	642	30	1	3	1	2	0	1156
15:45	27	354	2	0	40	2	21	0	8	544	22	2	7	5	3	0	1035
16:00	44	377	3	0	55	0	35	0	6	620	27	1	9	0	2	0	1178
16:15	20	329	1	0	35	1	29	0	13	652	21	0	5	1	2	0	1109
16:30	40	422	5	0	72	5	32	0	3	586	21	1	3	4	4	0	1197
16:45	37	391	3	0	47	3	38	0	7	622	24	1	8	5	4	0	1189
17:00	39	340	2	0	64	5	38	0	3	482	35	1	7	6	4	0	1025
17:15	47	352	2	0	73	4	25	0	3	610	12	0	10	4	2	0	1144
17:30	33	331	4	0	45	0	23	0	2	629	20	1	4	3	3	0	1097
17:45	55	318	3	0	62	4	28	0	0	604	28	1	10	2	4	0	1118
18:00	42	320	2	0	44	3	34	0	10	590	26	0	7	2	5	0	1085
18:15	42	295	3	0	39	1	19	0	3	535	21	0	2	1	1	0	962
18:30	18	282	1	0	39	0	27	0	3	502	19	1	5	6	2	0	904
18:45	30	280	3	0	38	1	15	0	1	486	14	2	3	3	0	0	874
Total	1588	21494	93	0	2405	115	920	0	266	20698	1271	23	261	147	135	0	49393
Cars+	1553	20733	86	0	2284	112	880	0	259	19905	1162	23	257	146	134	0	47511
Trucks	35	761	7	0	121	3	40	0	7	793	109	0	4	1	1	0	1882
% Trucks	2.3	3.7	8.1	0.0	5.3	2.7	4.5	0.0	2.7	4.0	9.4	0.0	1.6	0.7	0.7	0.0	4.0
	3.6				5.0				4.3				1.1				

Location: TH 65 at 105th Avenue (CSAH 87)  
 Count Date: 4/11/2017  
 Counted By: JDA

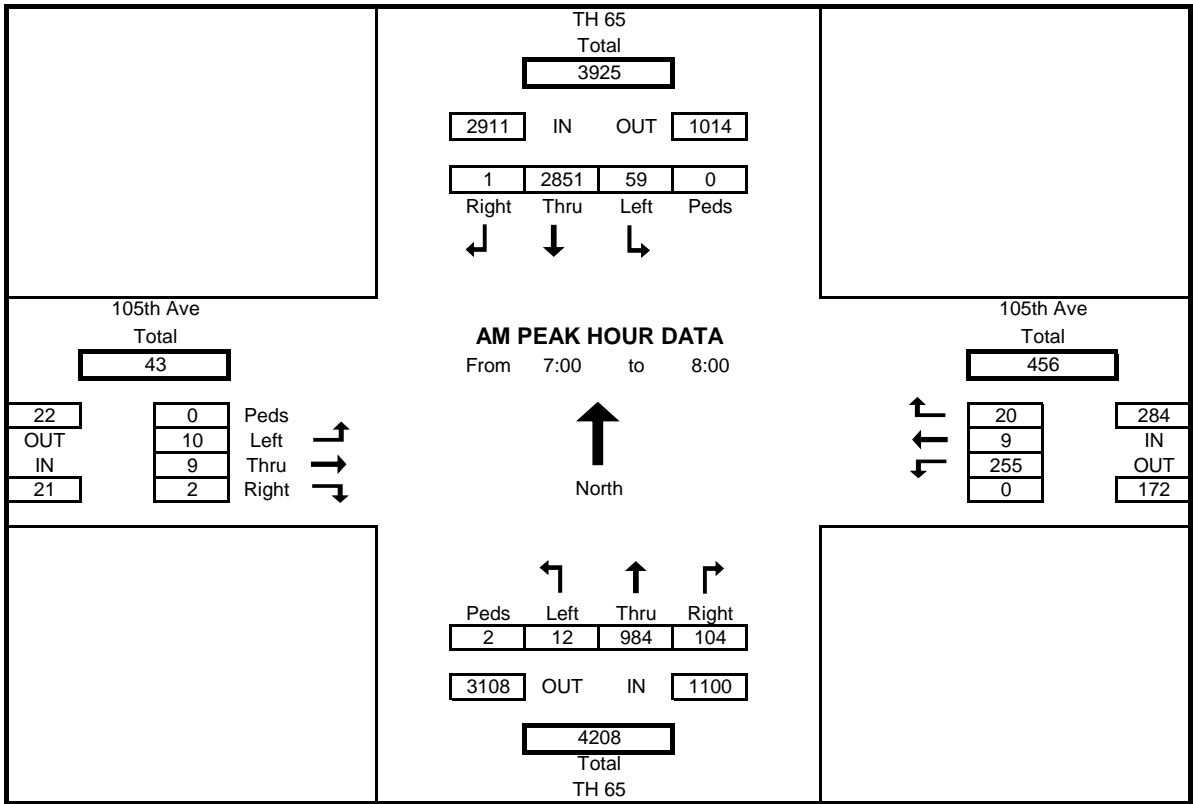


**AM PEAK HOUR TURNING MOVEMENT DATA**  
 All Vehicles

Start Time	TH 65				105th Ave				TH 65				105th Ave				Int. Total
	Southbound				Westbound				Northbound				Eastbound				
	Left	Thru	Right	Peds	Left	Thru	Right	Peds	Left	Thru	Right	Peds	Left	Thru	Right	Peds	
7:00	12	748	1	0	41	2	6	0	1	235	28	0	5	4	0	0	1083
7:15	18	707	0	0	67	4	3	0	1	227	24	0	2	2	0	0	1055
7:30	16	711	0	0	66	1	4	0	4	221	25	1	1	1	2	0	1052
7:45	13	685	0	0	81	2	7	0	6	301	27	1	2	2	0	0	1126
Total	59	2851	1	0	255	9	20	0	12	984	104	2	10	9	2	0	4316
% App. Total	2.0	97.9	0.0	0.0	8.8	0.3	0.7	0.0	0.4	33.8	3.6	0.1	0.3	0.3	0.1	0.0	
PHF	0.819	0.953	0.250	0.000	0.787	0.563	0.714	0.000	0.500	0.817	0.929	0.500	0.500	0.563	0.250	0.000	0.958

% Trucks	TH 65				105th Ave				TH 65				105th Ave				
	Left	Thru	Right	Peds	Left	Thru	Right	Peds	Left	Thru	Right	Peds	Left	Thru	Right	Peds	
	3.5	2.8	0.0	0.0	4.5	12.5	11.1	0.0	0.0	7.3	14.3	0.0	0.0	0.0	0.0	0.0	4.2
		2.8				5.2				7.8				0.0			

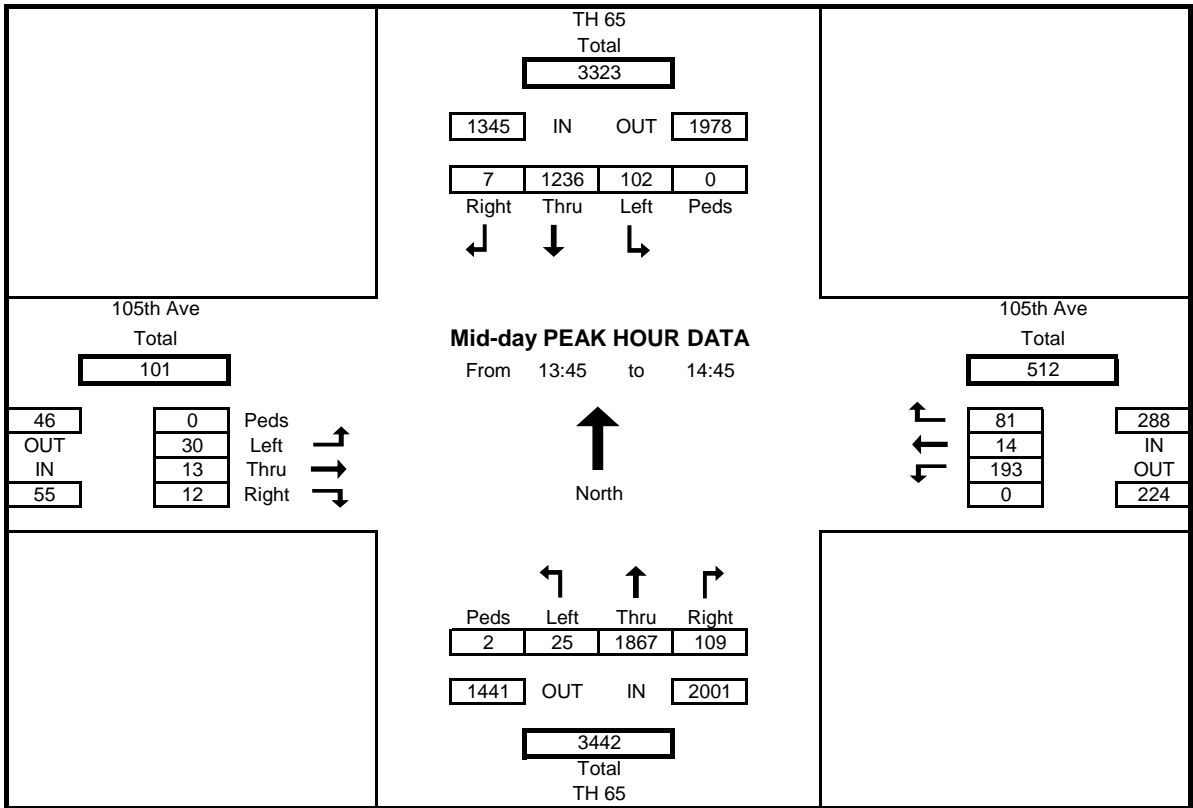


Location: TH 65 at 105th Avenue (CSAH 87)  
 Count Date: 4/11/2017  
 Counted By: JDA



**Mid-Day PEAK HOUR TURNING MOVEMENT DATA**  
 All Vehicles

Start Time	TH 65				105th Ave				TH 65				105th Ave				Int. Total
	Southbound				Westbound				Northbound				Eastbound				
	Left	Thru	Right	Peds	Left	Thru	Right	Peds	Left	Thru	Right	Peds	Left	Thru	Right	Peds	
13:45	28	302	2	0	56	3	24	0	9	365	29	0	8	3	3	0	832
14:00	28	304	2	0	38	3	17	0	9	444	15	0	7	3	3	0	873
14:15	20	319	2	0	44	2	17	0	3	545	27	0	8	1	3	0	991
14:30	26	311	1	0	55	6	23	0	4	513	38	2	7	6	3	0	993
Total	102	1236	7	0	193	14	81	0	25	1867	109	2	30	13	12	0	3689
% App. Total	7.6	91.9	0.5	0.0	14.3	1.0	6.0	0.0	1.9	138.8	8.1	0.1	2.2	1.0	0.9	0.0	
PHF	0.911	0.969	0.875	0.000	0.862	0.583	0.844	0.000	0.694	0.856	0.717	0.250	0.938	0.542	1.000	0.000	0.929
% Trucks	4.1	4.8	16.7	0.0	7.8	0.0	0.0	0.0	0.0	4.8	16.0	0.0	0.0	0.0	0.0	0.0	5.0
	4.8				5.1				5.3				0.0				

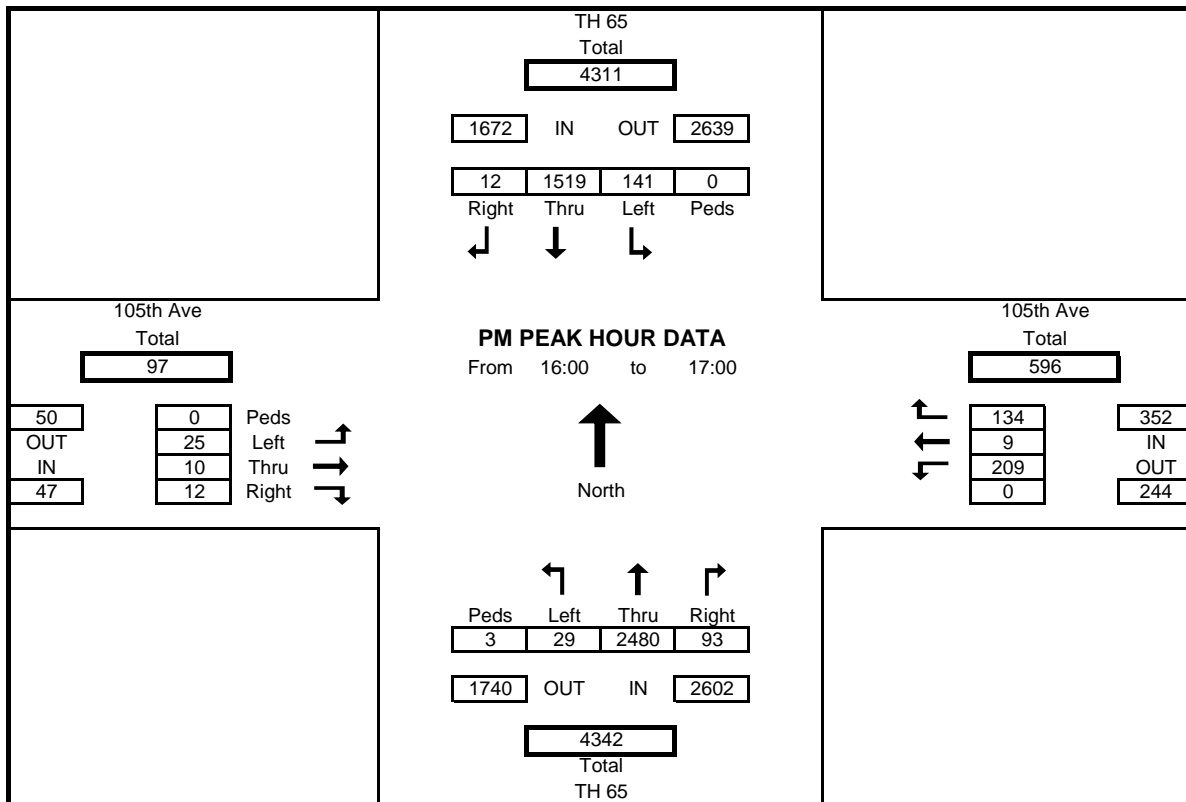


Location: TH 65 at 105th Avenue (CSAH 87)  
 Count Date: 4/11/2017  
 Counted By: JDA



**AM PEAK HOUR TURNING MOVEMENT DATA**  
 All Vehicles

Start Time	TH 65				105th Ave				TH 65				105th Ave				Int. Total
	Southbound				Westbound				Northbound				Eastbound				
	Left	Thru	Right	Peds	Left	Thru	Right	Peds	Left	Thru	Right	Peds	Left	Thru	Right	Peds	
16:00	44	377	3	0	55	0	35	0	6	620	27	1	9	0	2	0	1178
16:15	20	329	1	0	35	1	29	0	13	652	21	0	5	1	2	0	1109
16:30	40	422	5	0	72	5	32	0	3	586	21	1	3	4	4	0	1197
16:45	37	391	3	0	47	3	38	0	7	622	24	1	8	5	4	0	1189
<b>Total</b>	<b>141</b>	<b>1519</b>	<b>12</b>	<b>0</b>	<b>209</b>	<b>9</b>	<b>134</b>	<b>0</b>	<b>29</b>	<b>2480</b>	<b>93</b>	<b>3</b>	<b>25</b>	<b>10</b>	<b>12</b>	<b>0</b>	<b>4673</b>
% App. Total	8.4	90.8	0.7	0.0	12.5	0.5	8.0	0.0	1.7	148.3	5.6	0.2	1.5	0.6	0.7	0.0	
PHF	0.801	0.900	0.600	0.000	0.726	0.450	0.882	0.000	0.558	0.951	0.861	0.750	0.694	0.500	0.750	0.000	0.976
% Trucks	0.7	3.1	9.1	0.0	2.0	12.5	0.0	0.0	3.6	1.5	6.9	0.0	4.2	0.0	0.0	0.0	2.1
	2.9				1.4				1.7				2.2				



Location: TH 65 at 105th Avenue (CSAH 87)  
 Count Date: 4/11/2017  
 Counted By: JDA



**TURNING MOVEMENT COUNT DATA**

Cars+

Start Time	TH 65				105th Ave				TH 65				105th Ave				Int. Total
	Southbound				Westbound				Northbound				Eastbound				
	Left	Thru	Right	Peds	Left	Thru	Right	Peds	Left	Thru	Right	Peds	Left	Thru	Right	Peds	
6:00	14	689	0	0	16	1	4	0	0	99	19	0	1	0	0	0	843
6:15	14	756	0	0	23	0	3	0	2	135	7	0	0	3	0	0	943
6:30	5	717	1	0	39	1	1	0	1	207	23	0	4	5	2	0	1006
6:45	22	730	0	0	58	0	2	0	0	180	34	0	3	4	0	0	1033
7:00	10	733	1	0	40	2	5	0	1	221	27	0	5	4	0	0	1049
7:15	18	692	0	0	64	4	3	0	1	214	21	0	2	2	0	0	1021
7:30	16	685	0	0	65	1	4	0	4	203	19	1	1	1	2	0	1001
7:45	13	664	0	0	75	1	6	0	6	279	24	1	2	2	0	0	1072
8:00	32	637	2	0	54	0	5	0	3	221	26	0	4	6	1	0	991
8:15	13	568	2	0	32	2	4	0	3	273	14	1	4	2	3	0	920
8:30	28	520	1	0	40	0	3	0	1	233	15	0	6	4	2	0	853
8:45	26	466	1	0	37	2	9	0	7	258	18	0	5	2	1	0	832
9:00	42	439	1	0	44	0	6	0	2	269	23	0	6	2	2	0	836
9:15	38	418	1	0	26	2	6	0	3	243	20	0	1	3	1	0	762
9:30	26	366	0	0	41	4	9	0	5	276	25	0	3	3	2	0	760
9:45	27	352	3	0	32	3	9	0	7	322	11	1	3	1	1	0	771
10:00	30	292	0	0	26	2	11	0	4	222	18	0	11	3	3	0	622
10:15	33	327	1	0	22	1	8	0	10	268	24	0	3	2	5	0	704
10:30	37	292	0	0	44	0	16	0	8	272	20	0	4	2	2	0	697
10:45	26	310	2	0	24	2	15	0	5	313	18	0	3	3	5	0	726
11:00	32	291	2	0	43	2	14	0	3	304	22	0	3	2	6	0	724
11:15	40	324	4	0	39	3	15	0	4	328	26	0	3	1	0	0	787
11:30	31	321	3	0	42	4	20	0	3	325	24	0	4	2	3	0	782
11:45	39	289	0	0	44	6	18	0	10	341	23	0	5	4	2	0	781
12:00	38	291	0	0	48	3	12	0	9	352	29	0	10	5	5	0	802
12:15	45	324	3	0	51	1	22	0	6	337	19	0	6	4	5	0	823
12:30	22	316	1	0	40	1	20	0	18	336	28	0	7	1	3	0	793
12:45	44	308	2	0	39	5	21	0	9	355	24	0	6	3	3	0	819
13:00	31	313	0	0	40	3	22	0	6	360	27	0	8	2	4	0	816
13:15	42	304	0	0	45	2	22	0	7	381	25	0	7	3	2	0	840
13:30	39	302	3	0	55	3	20	0	7	350	26	0	3	2	6	0	816
13:45	28	284	2	0	53	3	24	0	9	352	25	0	8	3	3	0	794
14:00	27	293	2	0	32	3	17	0	9	422	14	0	7	3	3	0	832
14:15	20	300	2	0	42	2	17	0	3	516	21	0	8	1	3	0	935
14:30	23	302	0	0	52	6	23	0	4	492	34	2	7	6	3	0	952
14:45	37	302	2	0	48	2	30	0	5	579	32	0	6	3	3	0	1049
15:00	21	313	7	0	36	2	21	0	8	589	20	2	4	2	3	0	1026
15:15	37	272	2	0	45	0	21	0	5	516	28	3	3	2	7	0	938
15:30	17	357	2	0	48	5	28	0	2	621	29	1	3	1	2	0	1115
15:45	26	337	2	0	38	2	21	0	7	529	21	2	7	5	3	0	998
16:00	43	368	2	0	54	0	35	0	6	612	25	1	9	0	2	0	1156
16:15	20	319	1	0	32	1	29	0	12	644	18	0	4	1	2	0	1083
16:30	40	401	5	0	72	5	32	0	3	578	21	1	3	4	4	0	1168
16:45	37	386	3	0	47	2	38	0	7	609	23	1	8	5	4	0	1169
17:00	39	334	2	0	64	5	38	0	3	475	34	1	7	6	4	0	1011
17:15	47	344	2	0	72	4	25	0	2	599	12	0	10	4	2	0	1123
17:30	33	318	4	0	43	0	23	0	2	614	19	1	4	3	3	0	1066
17:45	55	313	3	0	61	4	28	0	0	594	28	1	9	2	4	0	1101
18:00	41	313	2	0	44	3	34	0	10	587	25	0	7	2	5	0	1073
18:15	41	289	3	0	37	1	19	0	3	526	21	0	2	1	1	0	944
18:30	18	276	1	0	38	0	27	0	3	497	19	1	5	6	2	0	892
18:45	30	276	3	0	38	1	15	0	1	477	14	2	3	3	0	0	861
Total	1553	20733	86	0	2284	112	880	0	259	19905	1162	23	257	146	134	0	47511
Cars+	1553	20733	86	0	2284	112	880	0	259	19905	1162	23	257	146	134	0	47511
Trucks	35	761	7	0	121	3	40	0	7	793	109	0	4	1	1	0	1882
% Trucks	2.3	3.7	8.1	0.0	5.3	2.7	4.5	0.0	2.7	4.0	9.4	0.0	1.6	0.7	0.7	0.0	4.0
	3.6				5.0				4.3				1.1				

Location: TH 65 at 105th Avenue (CSAH 87)  
 Count Date: 4/11/2017  
 Counted By: JDA



**TURNING MOVEMENT COUNT DATA**  
**Heavy Vehicles**

Start Time	TH 65				105th Ave				TH 65				105th Ave				Int. Total	
	Southbound				Westbound				Northbound				Eastbound					
	Left	Thru	Right	Bikes	Left	Thru	Right	Bikes	Left	Thru	Right	Bikes	Left	Thru	Right	Bikes		
6:00	0	26	0	0	3	0	0	0	0	11	0	0	0	0	0	0	0	40
6:15	1	21	0	0	2	0	0	0	0	6	0	0	0	0	0	0	0	30
6:30	0	13	0	0	5	0	0	0	0	6	2	0	0	0	0	0	0	26
6:45	0	8	2	0	4	0	4	0	0	7	0	0	0	0	0	0	0	25
7:00	2	15	0	0	1	0	1	0	0	14	1	0	0	0	0	0	0	34
7:15	0	15	0	0	3	0	0	0	0	13	3	0	0	0	0	0	0	34
7:30	0	26	0	0	1	0	0	0	0	18	6	0	0	0	0	0	0	51
7:45	0	21	0	0	6	1	1	0	0	22	3	0	0	0	0	0	0	54
8:00	0	17	0	0	5	0	2	0	0	25	1	0	0	0	0	0	0	50
8:15	0	17	0	0	3	0	1	0	0	13	6	0	0	0	0	0	0	40
8:30	0	18	2	0	0	0	3	0	0	14	5	0	0	0	0	0	0	42
8:45	0	25	0	0	2	1	4	0	0	24	2	0	0	0	0	0	0	58
9:00	1	20	0	0	3	0	2	0	0	14	1	0	0	0	0	0	0	41
9:15	3	24	0	0	2	0	4	0	0	15	2	0	0	0	0	0	0	50
9:30	2	11	0	0	4	0	2	0	0	16	4	0	0	0	0	0	0	39
9:45	2	17	0	0	1	0	0	0	0	19	3	0	0	0	0	0	0	42
10:00	1	17	0	0	0	0	1	0	0	17	0	0	0	0	0	0	0	36
10:15	1	14	0	0	0	0	1	0	0	20	3	0	0	0	0	0	0	39
10:30	1	14	0	0	3	0	1	0	0	12	3	0	0	0	0	0	0	34
10:45	0	19	0	0	4	0	1	0	1	17	3	0	0	0	0	0	0	45
11:00	1	16	1	0	3	0	0	0	0	14	3	0	0	0	0	0	0	38
11:15	2	23	0	0	6	0	1	0	0	13	4	0	0	0	0	0	0	49
11:30	0	11	0	0	0	0	1	0	0	18	6	0	0	0	0	0	0	36
11:45	1	21	0	0	2	0	1	0	0	12	3	0	0	0	0	0	0	40
12:00	0	12	0	0	3	0	0	0	0	27	3	0	0	0	0	0	0	45
12:15	0	16	0	0	4	0	1	0	0	22	4	0	0	0	0	0	0	47
12:30	0	20	0	0	3	0	1	0	0	17	2	0	0	0	0	0	0	43
12:45	1	19	0	0	4	0	0	0	0	23	1	0	0	0	0	0	0	48
13:00	1	14	0	0	3	0	0	0	0	23	0	0	0	0	0	0	0	41
13:15	1	15	0	0	3	0	0	0	0	21	4	0	1	0	0	0	0	45
13:30	0	14	0	0	2	0	2	0	1	13	0	0	0	0	0	0	0	32
13:45	0	18	0	0	3	0	0	0	0	13	4	0	0	0	0	0	0	38
14:00	1	11	0	0	6	0	0	0	0	22	1	0	0	0	0	0	0	41
14:15	0	19	0	0	2	0	0	0	0	29	6	0	0	0	0	0	0	56
14:30	3	9	1	0	3	0	0	0	0	21	4	0	0	0	0	0	0	41
14:45	1	11	0	0	4	0	3	0	0	16	1	0	0	1	0	0	0	37
15:00	3	9	0	0	2	0	1	0	2	27	1	0	1	0	0	0	0	46
15:15	2	11	0	0	2	0	0	0	0	17	3	0	0	0	1	0	0	36
15:30	0	17	0	0	1	0	1	0	0	21	1	0	0	0	0	0	0	41
15:45	1	17	0	0	2	0	0	0	1	15	1	0	0	0	0	0	0	37
16:00	1	9	1	0	1	0	0	0	0	8	2	0	0	0	0	0	0	22
16:15	0	10	0	0	3	0	0	0	1	8	3	0	1	0	0	0	0	26
16:30	0	21	0	0	0	0	0	0	0	8	0	0	0	0	0	0	0	29
16:45	0	5	0	0	0	1	0	0	0	13	1	0	0	0	0	0	0	20
17:00	0	6	0	0	0	0	0	0	0	7	1	0	0	0	0	0	0	14
17:15	0	8	0	0	1	0	0	0	1	11	0	0	0	0	0	0	0	21
17:30	0	13	0	0	2	0	0	0	0	15	1	0	0	0	0	0	0	31
17:45	0	5	0	0	1	0	0	0	0	10	0	0	1	0	0	0	0	17
18:00	1	7	0	0	0	0	0	0	0	3	1	0	0	0	0	0	0	12
18:15	1	6	0	0	2	0	0	0	0	9	0	0	0	0	0	0	0	18
18:30	0	6	0	0	1	0	0	0	0	5	0	0	0	0	0	0	0	12
18:45	0	4	0	0	0	0	0	0	0	9	0	0	0	0	0	0	0	13
Total	35	761	7	0	121	3	40	0	7	793	109	0	4	1	1	0	0	1882
Cars+	1553	20733	86	0	2284	112	880	0	259	19905	1162	23	257	146	134	0	0	47511
Trucks	35	761	7	0	121	3	40	0	7	793	109	0	4	1	1	0	0	1882
% Trucks	2.3	3.7	8.1	0.0	5.3	2.7	4.5	0.0	2.7	4.0	9.4	0.0	1.6	0.7	0.7	0.0	0.0	4.0
		3.6				5.0				4.3				1.1				