



# MINNESOTA DEPT OF TRANSPORTATION

## TRAFFIC DATA COLLECTION - METRO

loc: th 65 @ 121st ave ne 2003  
 ref pt: 014+00.934  
 data collected by: alliant eng  
 tmc: am noon pm

File Name : T.H. 65 at 121st  
 Site Code : 00000027  
 Start Date : 8/27/2003  
 Page No : 1

**Groups Printed- Unshifted**

Start Time	T.H. 65 Southbound					121st Ave. NE Westbound					T.H. 65 Northbound					Paul Parkway Eastbound					Int. Total
	Left	Thru	Right	Peds	App. Total	Left	Thru	Right	Peds	App. Total	Left	Thru	Right	Peds	App. Total	Left	Thru	Right	Peds	App. Total	
06:00	8	520	4	0	532	34	2	7	0	43	2	71	8	0	81	4	3	28	0	35	691
06:15	5	593	2	0	600	17	3	9	0	29	3	130	11	0	144	5	5	36	0	46	819
06:30	7	576	6	0	589	13	7	6	1	27	7	137	10	0	154	11	4	41	0	56	826
06:45	7	522	5	0	534	24	4	11	0	39	4	138	16	0	158	11	8	33	0	52	783
<b>Total</b>	<b>27</b>	<b>2211</b>	<b>17</b>	<b>0</b>	<b>2255</b>	<b>88</b>	<b>16</b>	<b>33</b>	<b>1</b>	<b>138</b>	<b>16</b>	<b>476</b>	<b>45</b>	<b>0</b>	<b>537</b>	<b>31</b>	<b>20</b>	<b>138</b>	<b>0</b>	<b>189</b>	<b>3119</b>
07:00	6	605	6	0	617	43	7	4	0	54	12	142	24	0	178	7	11	41	0	59	908
07:15	7	608	10	0	625	30	6	9	0	45	7	167	15	0	189	6	12	35	0	53	912
07:30	21	611	10	0	642	32	12	7	0	51	8	164	21	0	193	6	11	54	0	71	957
07:45	20	518	14	0	552	29	12	5	0	46	5	178	17	0	200	5	15	38	0	58	856
<b>Total</b>	<b>54</b>	<b>2342</b>	<b>40</b>	<b>0</b>	<b>2436</b>	<b>134</b>	<b>37</b>	<b>25</b>	<b>0</b>	<b>196</b>	<b>32</b>	<b>651</b>	<b>77</b>	<b>0</b>	<b>760</b>	<b>24</b>	<b>49</b>	<b>168</b>	<b>0</b>	<b>241</b>	<b>3633</b>
08:00	13	465	6	0	484	37	5	3	0	45	8	138	11	0	157	6	9	39	0	54	740
08:15	14	405	6	0	425	36	7	11	0	54	8	153	25	0	186	7	18	33	0	58	723
08:30	18	353	4	0	375	37	13	9	0	59	12	117	21	0	150	5	14	26	0	45	629
08:45	21	341	2	0	364	33	10	12	0	55	14	173	35	0	222	4	17	21	0	42	683
<b>Total</b>	<b>66</b>	<b>1564</b>	<b>18</b>	<b>0</b>	<b>1648</b>	<b>143</b>	<b>35</b>	<b>35</b>	<b>0</b>	<b>213</b>	<b>42</b>	<b>581</b>	<b>92</b>	<b>0</b>	<b>715</b>	<b>22</b>	<b>58</b>	<b>119</b>	<b>0</b>	<b>199</b>	<b>2775</b>
11:00	17	242	5	0	264	32	14	13	0	59	15	165	20	0	200	4	7	17	0	28	551
11:15	11	247	2	0	260	34	7	8	0	49	8	238	26	0	272	7	17	18	2	44	625
11:30	15	281	2	0	298	30	10	18	0	58	17	231	32	0	280	4	13	22	0	39	675
11:45	20	227	5	0	252	31	13	10	0	54	17	244	27	0	288	9	18	8	0	35	629
<b>Total</b>	<b>63</b>	<b>997</b>	<b>14</b>	<b>0</b>	<b>1074</b>	<b>127</b>	<b>44</b>	<b>49</b>	<b>0</b>	<b>220</b>	<b>57</b>	<b>878</b>	<b>105</b>	<b>0</b>	<b>1040</b>	<b>24</b>	<b>55</b>	<b>65</b>	<b>2</b>	<b>146</b>	<b>2480</b>
12:00	18	266	7	0	291	48	13	8	0	69	14	264	39	0	317	9	16	17	0	42	719
12:15	40	250	5	0	295	42	23	13	2	80	20	262	34	0	316	3	14	22	0	39	730
12:30	23	223	4	0	250	39	18	12	1	70	11	263	28	0	302	9	19	24	0	52	674
12:45	12	266	8	0	286	22	14	15	4	55	21	258	22	0	301	2	12	20	0	34	676
<b>Total</b>	<b>93</b>	<b>1005</b>	<b>24</b>	<b>0</b>	<b>1122</b>	<b>151</b>	<b>68</b>	<b>48</b>	<b>7</b>	<b>274</b>	<b>66</b>	<b>1047</b>	<b>123</b>	<b>0</b>	<b>1236</b>	<b>23</b>	<b>61</b>	<b>83</b>	<b>0</b>	<b>167</b>	<b>2799</b>



# MINNESOTA DEPT OF TRANSPORTATION

## TRAFFIC DATA COLLECTION - METRO

File Name : T.H. 65 at 121st  
 Site Code : 00000027  
 Start Date : 8/27/2003  
 Page No : 2

**Groups Printed- Unshifted**

Start Time	T.H. 65 Southbound					121st Ave. NE Westbound					T.H. 65 Northbound					Paul Parkway Eastbound					Int. Total
	Left	Thru	Right	Peds	App. Total	Left	Thru	Right	Peds	App. Total	Left	Thru	Right	Peds	App. Total	Left	Thru	Right	Peds	App. Total	
15:00	9	248	8	0	265	31	9	9	3	52	20	447	36	0	503	5	9	18	2	34	854
15:15	18	220	10	0	248	34	14	31	0	79	23	433	41	0	497	13	19	16	0	48	872
15:30	18	282	13	0	313	35	18	26	1	80	26	461	44	0	531	6	16	20	1	43	967
15:45	10	267	10	0	287	25	15	26	3	69	29	497	45	0	571	7	16	16	3	42	969
<b>Total</b>	<b>55</b>	<b>1017</b>	<b>41</b>	<b>0</b>	<b>1113</b>	<b>125</b>	<b>56</b>	<b>92</b>	<b>7</b>	<b>280</b>	<b>98</b>	<b>1838</b>	<b>166</b>	<b>0</b>	<b>2102</b>	<b>31</b>	<b>60</b>	<b>70</b>	<b>6</b>	<b>167</b>	<b>3662</b>
16:00	17	252	6	0	275	35	19	29	0	83	32	495	32	0	559	10	27	26	1	64	981
16:15	18	262	6	0	286	29	16	34	0	79	30	455	45	0	530	11	20	10	4	45	940
16:30	14	236	10	0	260	37	29	26	1	93	35	471	25	0	531	6	19	20	0	45	929
16:45	20	281	9	0	310	33	30	20	3	86	38	450	37	0	525	15	25	22	5	67	988
<b>Total</b>	<b>69</b>	<b>1031</b>	<b>31</b>	<b>0</b>	<b>1131</b>	<b>134</b>	<b>94</b>	<b>109</b>	<b>4</b>	<b>341</b>	<b>135</b>	<b>1871</b>	<b>139</b>	<b>0</b>	<b>2145</b>	<b>42</b>	<b>91</b>	<b>78</b>	<b>10</b>	<b>221</b>	<b>3838</b>
17:00	15	287	15	0	317	46	28	26	1	101	38	459	33	0	530	19	24	29	0	72	1020
17:15	22	271	15	0	308	31	32	27	0	90	15	438	52	0	505	9	24	31	4	68	971
17:30	23	276	14	0	313	38	18	24	0	80	36	459	36	0	531	17	19	20	0	56	980
17:45	21	285	10	0	316	36	23	16	0	75	36	457	32	1	526	20	31	30	0	81	998
<b>Total</b>	<b>81</b>	<b>1119</b>	<b>54</b>	<b>0</b>	<b>1254</b>	<b>151</b>	<b>101</b>	<b>93</b>	<b>1</b>	<b>346</b>	<b>125</b>	<b>1813</b>	<b>153</b>	<b>1</b>	<b>2092</b>	<b>65</b>	<b>98</b>	<b>110</b>	<b>4</b>	<b>277</b>	<b>3969</b>
Grand Total	508	11286	239	0	12033	1053	451	484	20	2008	571	9155	900	1	10627	262	492	831	22	1607	26275
Apprch %	4.2	93.8	2	0		52.4	22.5	24.1	1		5.4	86.1	8.5	0		16.3	30.6	51.7	1.4		
Total %	1.9	43	0.9	0	45.8	4	1.7	1.8	0.1	7.6	2.2	34.8	3.4	0	40.4	1	1.9	3.2	0.1	6.1	

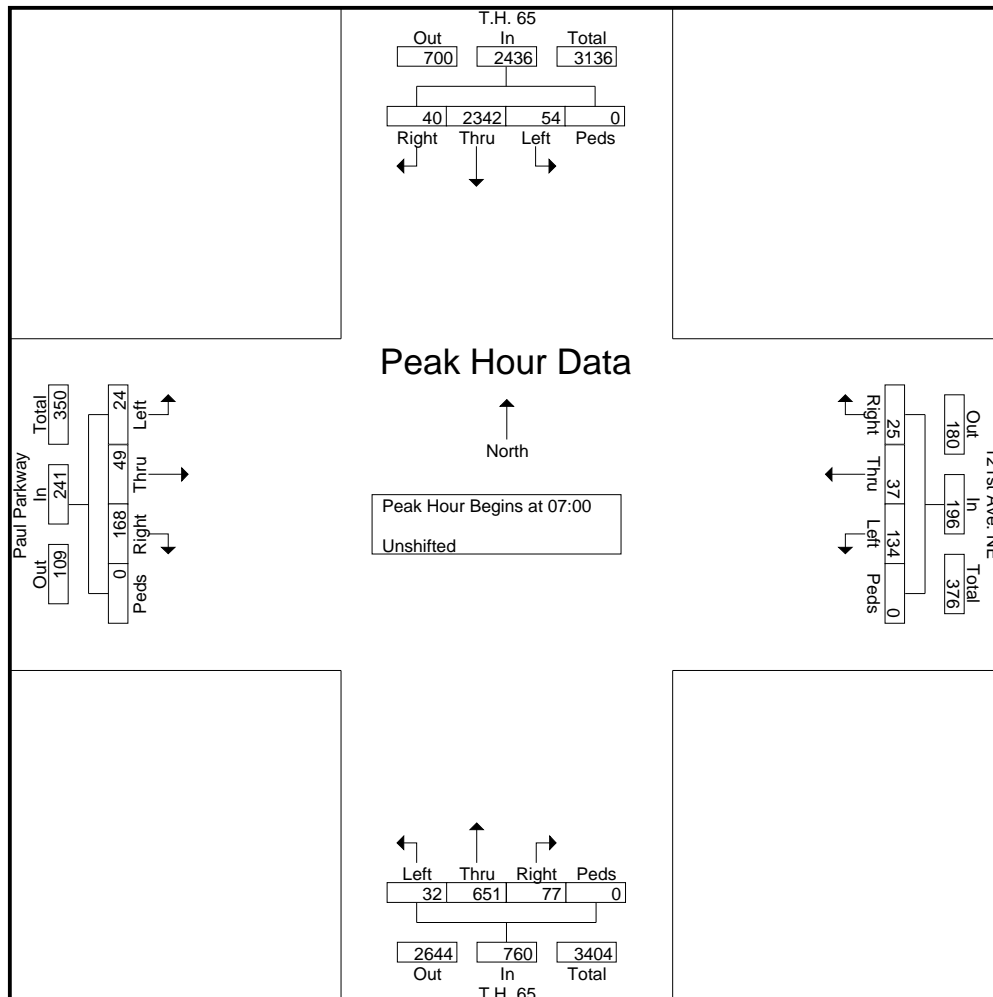


# MINNESOTA DEPT OF TRANSPORTATION

## TRAFFIC DATA COLLECTION - METRO

File Name : T.H. 65 at 121st  
 Site Code : 00000027  
 Start Date : 8/27/2003  
 Page No : 3

Start Time	T.H. 65 Southbound					121st Ave. NE Westbound					T.H. 65 Northbound					Paul Parkway Eastbound					Int. Total
	Left	Thru	Right	Peds	App. Total	Left	Thru	Right	Peds	App. Total	Left	Thru	Right	Peds	App. Total	Left	Thru	Right	Peds	App. Total	
Peak Hour Analysis From 06:00 to 09:45 - Peak 1 of 1																					
Peak Hour for Entire Intersection Begins at 07:00																					
07:00	6	605	6	0	617	43	7	4	0	54	12	142	24	0	178	7	11	41	0	59	908
07:15	7	608	10	0	625	30	6	9	0	45	7	167	15	0	189	6	12	35	0	53	912
07:30	21	611	10	0	642	32	12	7	0	51	8	164	21	0	193	6	11	54	0	71	957
07:45	20	518	14	0	552	29	12	5	0	46	5	178	17	0	200	5	15	38	0	58	856
Total Volume	54	2342	40	0	2436	134	37	25	0	196	32	651	77	0	760	24	49	168	0	241	3633
% App. Total	2.2	96.1	1.6	0		68.4	18.9	12.8	0		4.2	85.7	10.1	0		10	20.3	69.7	0		
PHF	.643	.958	.714	.000	.949	.779	.771	.694	.000	.907	.667	.914	.802	.000	.950	.857	.817	.778	.000	.849	.949



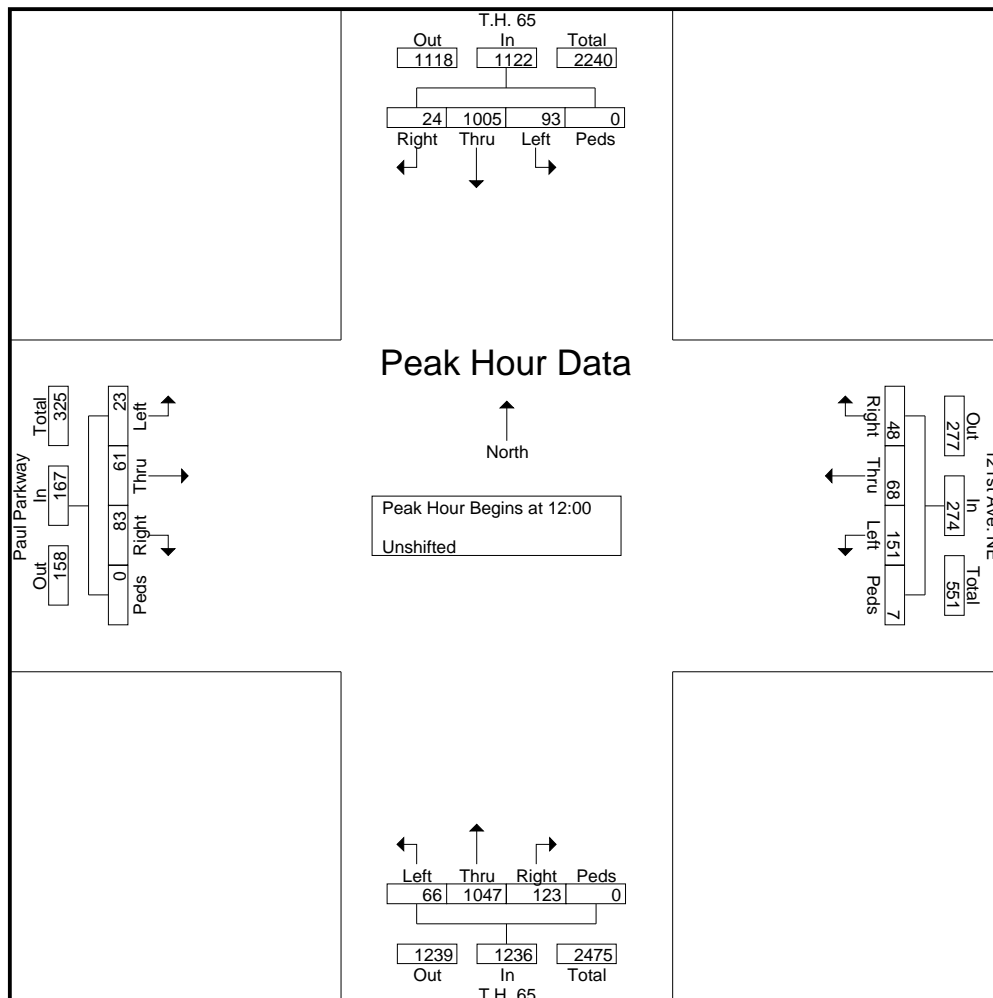


# MINNESOTA DEPT OF TRANSPORTATION

## TRAFFIC DATA COLLECTION - METRO

File Name : T.H. 65 at 121st  
 Site Code : 00000027  
 Start Date : 8/27/2003  
 Page No : 4

Start Time	T.H. 65 Southbound					121st Ave. NE Westbound					T.H. 65 Northbound					Paul Parkway Eastbound					Int. Total
	Left	Thru	Right	Peds	App. Total	Left	Thru	Right	Peds	App. Total	Left	Thru	Right	Peds	App. Total	Left	Thru	Right	Peds	App. Total	
Peak Hour Analysis From 10:00 to 13:45 - Peak 1 of 1																					
Peak Hour for Entire Intersection Begins at 12:00																					
12:00	18	266	7	0	291	48	13	8	0	69	14	264	39	0	317	9	16	17	0	42	719
12:15	40	250	5	0	295	42	23	13	2	80	20	262	34	0	316	3	14	22	0	39	730
12:30	23	223	4	0	250	39	18	12	1	70	11	263	28	0	302	9	19	24	0	52	674
12:45	12	266	8	0	286	22	14	15	4	55	21	258	22	0	301	2	12	20	0	34	676
Total Volume	93	1005	24	0	1122	151	68	48	7	274	66	1047	123	0	1236	23	61	83	0	167	2799
% App. Total	8.3	89.6	2.1	0		55.1	24.8	17.5	2.6		5.3	84.7	10	0		13.8	36.5	49.7	0		
PHF	.581	.945	.750	.000	.951	.786	.739	.800	.438	.856	.786	.991	.788	.000	.975	.639	.803	.865	.000	.803	.959





# MINNESOTA DEPT OF TRANSPORTATION

## TRAFFIC DATA COLLECTION - METRO

File Name : T.H. 65 at 121st  
 Site Code : 00000027  
 Start Date : 8/27/2003  
 Page No : 5

Start Time	T.H. 65 Southbound					121st Ave. NE Westbound					T.H. 65 Northbound					Paul Parkway Eastbound					Int. Total
	Left	Thru	Right	Peds	App. Total	Left	Thru	Right	Peds	App. Total	Left	Thru	Right	Peds	App. Total	Left	Thru	Right	Peds	App. Total	
Peak Hour Analysis From 14:00 to 17:45 - Peak 1 of 1																					
Peak Hour for Entire Intersection Begins at 17:00																					
17:00	15	287	15	0	317	46	28	26	1	101	38	459	33	0	530	19	24	29	0	72	1020
17:15	22	271	15	0	308	31	32	27	0	90	15	438	52	0	505	9	24	31	4	68	971
17:30	23	276	14	0	313	38	18	24	0	80	36	459	36	0	531	17	19	20	0	56	980
17:45	21	285	10	0	316	36	23	16	0	75	36	457	32	1	526	20	31	30	0	81	998
Total Volume	81	1119	54	0	1254	151	101	93	1	346	125	1813	153	1	2092	65	98	110	4	277	3969
% App. Total	6.5	89.2	4.3	0		43.6	29.2	26.9	0.3		6	86.7	7.3	0		23.5	35.4	39.7	1.4		
PHF	.880	.975	.900	.000	.989	.821	.789	.861	.250	.856	.822	.987	.736	.250	.985	.813	.790	.887	.250	.855	.973

