



# MINNESOTA DEPT OF TRANSPORTATION

## TRAFFIC DATA COLLECTION - METRO

TH-7 at Tonkawood Rd / Woodland Rd.  
 ref.pt.: 187.285  
 Counter: Ken Levin - ALLIANT CONSULT.  
 TURN MOVEMENT COUNT

File Name : TH-7 at Tonkawood Rd 2007  
 Site Code : 00000143  
 Start Date : 11/27/2007  
 Page No : 1

### Groups Printed- Cars & Trucks

Start Time	Tonkawood Rd Southbound				TH-7 Westbound				Woodland Rd Northbound				TH-7 Eastbound				Int. Total
	Left	Thru	Right	Peds	Left	Thru	Right	Peds	Left	Thru	Right	Peds	Left	Thru	Right	Peds	
06:00	2	2	17	0	0	100	0	0	1	2	18	0	1	183	2	0	328
06:15	2	2	16	0	2	101	2	0	1	2	18	0	1	354	0	0	501
06:30	4	3	15	0	4	148	0	0	6	3	14	0	1	485	1	0	684
06:45	2	3	22	0	5	194	4	0	2	2	24	0	1	553	0	0	812
Total	10	10	70	0	11	543	6	0	10	9	74	0	4	1575	3	0	2325
07:00	7	6	27	0	6	179	1	0	1	3	25	0	10	544	5	0	814
07:15	5	8	42	0	4	219	6	0	7	6	27	0	6	659	2	0	991
07:30	6	9	42	0	13	240	5	0	7	10	53	0	6	626	2	0	1019
07:45	4	4	24	0	10	263	6	0	4	5	26	0	15	564	1	0	926
Total	22	27	135	0	33	901	18	0	19	24	131	0	37	2393	10	0	3750
08:00	1	19	19	0	7	196	6	0	2	18	22	0	11	462	4	0	767
08:15	4	22	18	0	7	196	11	0	2	25	18	0	4	364	0	0	671
08:30	3	9	31	0	13	195	9	0	4	9	17	0	9	529	2	0	830
08:45	6	17	24	0	13	240	3	0	4	14	28	0	5	378	2	0	734
Total	14	67	92	0	40	827	29	0	12	66	85	0	29	1733	8	0	3002
09:00	11	10	22	0	8	204	2	0	8	12	24	0	6	380	6	0	693
09:15	4	2	10	0	10	179	7	0	8	5	15	0	10	347	2	0	599
*** BREAK ***																	
Total	15	12	32	0	18	383	9	0	16	17	39	0	16	727	8	0	1292
*** BREAK ***																	
10:30	3	6	10	0	11	150	4	0	2	4	9	0	7	283	3	0	492
10:45	8	3	8	0	12	189	7	0	5	5	6	0	6	224	2	0	475
Total	11	9	18	0	23	339	11	0	7	9	15	0	13	507	5	0	967
11:00	3	3	8	0	15	189	1	0	6	2	7	0	4	174	2	0	414
11:15	10	3	7	0	19	214	7	0	5	1	7	0	8	246	10	0	537
11:30	12	14	9	0	14	196	9	0	6	8	13	0	7	257	5	0	550
11:45	22	5	4	0	10	249	13	0	5	2	6	0	6	229	4	0	555
Total	47	25	28	0	58	848	30	0	22	13	33	0	25	906	21	0	2056
12:00	14	6	9	0	15	222	7	0	3	3	7	0	13	255	1	0	555
12:15	9	1	4	0	21	244	15	0	10	3	4	0	5	211	4	0	531
12:30	12	6	12	0	20	237	11	0	6	7	5	0	10	294	4	0	624
12:45	8	3	8	0	14	270	11	0	6	5	8	0	5	293	1	0	632
Total	43	16	33	0	70	973	44	0	25	18	24	0	33	1053	10	0	2342
13:00	16	13	7	0	33	205	10	0	1	5	7	0	13	248	5	0	563
13:15	3	6	5	0	19	243	12	0	10	2	10	0	7	271	3	0	591
*** BREAK ***																	
Total	19	19	12	0	52	448	22	0	11	7	17	0	20	519	8	0	1154
*** BREAK ***																	
14:30	7	5	19	0	26	378	15	0	9	3	13	0	10	254	7	0	746
14:45	10	8	11	0	35	337	16	0	6	10	6	0	17	281	7	0	744
Total	17	13	30	0	61	715	31	0	15	13	19	0	27	535	14	0	1490
15:00	12	3	8	0	32	406	10	0	8	5	8	0	15	286	5	0	798
15:15	10	3	9	0	34	382	12	0	6	11	16	0	12	268	3	0	766
15:30	10	8	10	0	37	434	17	0	5	12	5	0	9	314	4	0	865
15:45	12	5	12	0	25	453	35	0	9	17	14	0	13	308	8	0	911
Total	44	19	39	0	128	1675	74	0	28	45	43	0	49	1176	20	0	3340



# MINNESOTA DEPT OF TRANSPORTATION

## TRAFFIC DATA COLLECTION - METRO

TH-7 at Tonkawood Rd / Woodland Rd.  
 ref.pt.: 187.285  
 Counter: Ken Levin - ALLIANT CONSULT.  
 TURN MOVEMENT COUNT

File Name : TH-7 at Tonkawood Rd 2007  
 Site Code : 00000143  
 Start Date : 11/27/2007  
 Page No : 2

### Groups Printed- Cars & Trucks

Start Time	Tonkawood Rd Southbound				TH-7 Westbound				Woodland Rd Northbound				TH-7 Eastbound				Int. Total
	Left	Thru	Right	Peds	Left	Thru	Right	Peds	Left	Thru	Right	Peds	Left	Thru	Right	Peds	
16:00	19	10	9	0	33	477	15	0	5	12	10	0	9	290	6	0	895
16:15	11	13	0	0	44	520	20	0	8	27	14	0	12	296	9	0	974
16:30	5	14	6	0	32	518	17	0	12	8	6	0	15	301	8	0	942
16:45	10	14	11	0	36	535	18	0	3	14	10	0	7	310	12	0	980
Total	45	51	26	0	145	2050	70	0	28	61	40	0	43	1197	35	0	3791
17:00	7	8	10	0	52	420	32	0	3	15	4	0	13	343	6	0	913
17:15	4	22	17	0	53	514	21	0	8	5	20	0	14	332	6	0	1016
17:30	15	12	14	0	56	536	28	0	10	6	7	0	17	263	8	0	972
17:45	11	9	13	0	55	467	34	0	7	13	12	0	21	239	3	0	884
Total	37	51	54	0	216	1937	115	0	28	39	43	0	65	1177	23	0	3785
Grand Total	324	319	569	0	855	11639	459	0	221	321	563	0	361	13498	165	0	29294
Apprch %	26.7	26.3	46.9	0	6.6	89.9	3.5	0	20	29	51	0	2.6	96.2	1.2	0	
Total %	1.1	1.1	1.9	0	2.9	39.7	1.6	0	0.8	1.1	1.9	0	1.2	46.1	0.6	0	



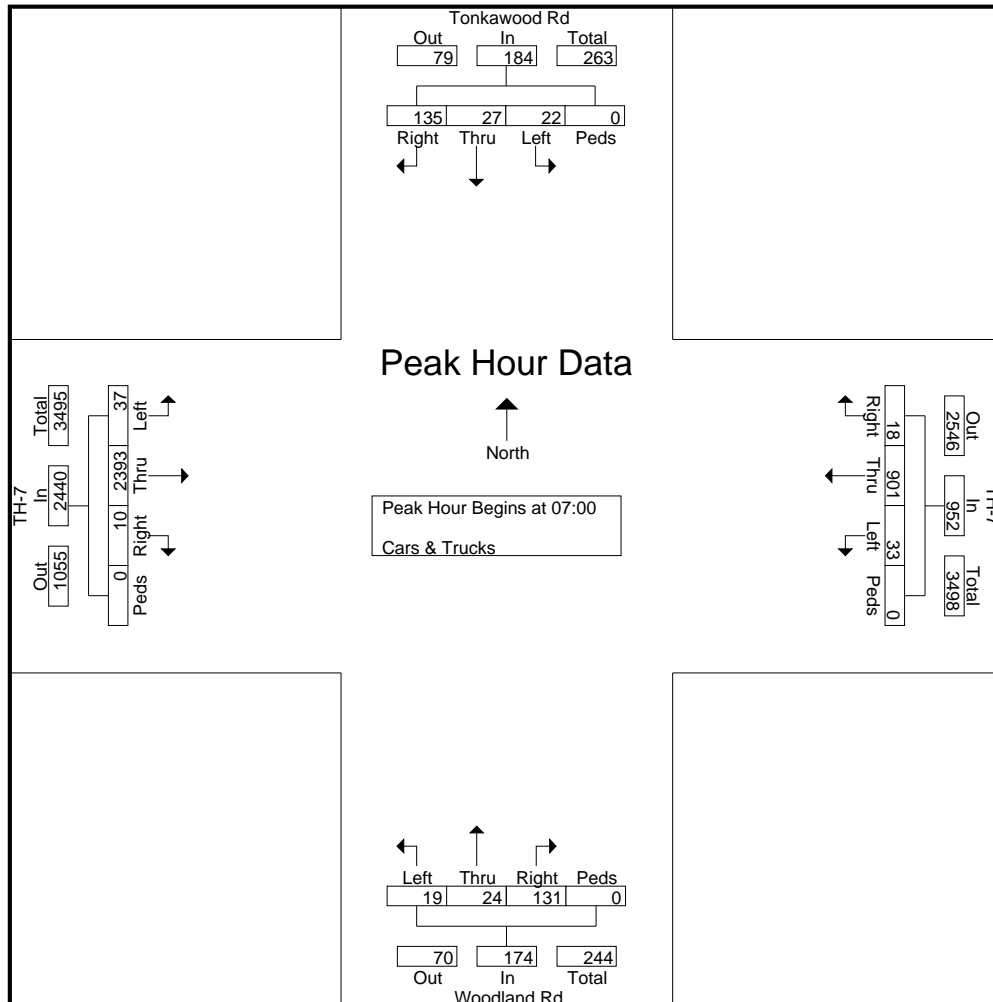
# MINNESOTA DEPT OF TRANSPORTATION

## TRAFFIC DATA COLLECTION - METRO

TH-7 at Tonkawood Rd / Woodland Rd.  
 ref.pt.: 187.285  
 Counter: Ken Levin - ALLIANT CONSULT.  
 TURN MOVEMENT COUNT

File Name : TH-7 at Tonkawood Rd 2007  
 Site Code : 00000143  
 Start Date : 11/27/2007  
 Page No : 3

Start Time	Tonkawood Rd Southbound					TH-7 Westbound					Woodland Rd Northbound					TH-7 Eastbound					Int. Total
	Left	Thru	Right	Peds	App. Total	Left	Thru	Right	Peds	App. Total	Left	Thru	Right	Peds	App. Total	Left	Thru	Right	Peds	App. Total	
Peak Hour Analysis From 06:00 to 09:15 - Peak 1 of 1																					
Peak Hour for Entire Intersection Begins at 07:00																					
07:00	7	6	27	0	40	6	179	1	0	186	1	3	25	0	29	10	544	5	0	559	814
07:15	5	8	42	0	55	4	219	6	0	229	7	6	27	0	40	6	659	2	0	667	991
07:30	6	9	42	0	57	13	240	5	0	258	7	10	53	0	70	6	626	2	0	634	1019
07:45	4	4	24	0	32	10	263	6	0	279	4	5	26	0	35	15	564	1	0	580	926
Total Volume	22	27	135	0	184	33	901	18	0	952	19	24	131	0	174	37	2393	10	0	2440	3750
% App. Total	12	14.7	73.4	0		3.5	94.6	1.9	0		10.9	13.8	75.3	0		1.5	98.1	0.4	0		
PHF	.786	.750	.804	.000	.807	.635	.856	.750	.000	.853	.679	.600	.618	.000	.621	.617	.908	.500	.000	.915	.920





# MINNESOTA DEPT OF TRANSPORTATION

## TRAFFIC DATA COLLECTION - METRO

TH-7 at Tonkawood Rd / Woodland Rd.  
 ref.pt.: 187.285  
 Counter: Ken Levin - ALLIANT CONSULT.  
 TURN MOVEMENT COUNT

File Name : TH-7 at Tonkawood Rd 2007  
 Site Code : 00000143  
 Start Date : 11/27/2007  
 Page No : 4

Start Time	Tonkawood Rd Southbound					TH-7 Westbound					Woodland Rd Northbound					TH-7 Eastbound					Int. Total
	Left	Thru	Right	Peds	App. Total	Left	Thru	Right	Peds	App. Total	Left	Thru	Right	Peds	App. Total	Left	Thru	Right	Peds	App. Total	
Peak Hour Analysis From 12:00 to 17:45 - Peak 1 of 1																					
Peak Hour for Entire Intersection Begins at 16:45																					
16:45	10	14	11	0	35	36	535	18	0	589	3	14	10	0	27	7	310	12	0	329	980
17:00	7	8	10	0	25	52	420	32	0	504	3	15	4	0	22	13	343	6	0	362	913
17:15	4	22	17	0	43	53	514	21	0	588	8	5	20	0	33	14	332	6	0	352	1016
17:30	15	12	14	0	41	56	536	28	0	620	10	6	7	0	23	17	263	8	0	288	972
Total Volume	36	56	52	0	144	197	2005	99	0	2301	24	40	41	0	105	51	1248	32	0	1331	3881
% App. Total	25	38.9	36.1	0		8.6	87.1	4.3	0		22.9	38.1	39	0		3.8	93.8	2.4	0		
PHF	.600	.636	.765	.000	.837	.879	.935	.773	.000	.928	.600	.667	.513	.000	.795	.750	.910	.667	.000	.919	.955

