



MINNESOTA DEPT OF TRANSPORTATION

TRAFFIC DATA COLLECTION - METRO

TH-7 at Shady Oak Rd / CSAH-61
 ref.pt.: 190.030
 Counter: Ken Levin ALLIANT CONSULT.
 TURN MOVEMENT COUNT

File Name : TH-7 at Shady Oak Rd - CSAH-61 2007
 Site Code : 00000145
 Start Date : 11/28/2007
 Page No : 1

Groups Printed- Cars & Trucks

Start Time	Shady Oak Rd / CSAH-61 Southbound				TH-7 Westbound				Shady Oak Rd / CSAH-61 Northbound				TH-7 Eastbound				Int. Total
	Left	Thru	Right	Peds	Left	Thru	Right	Peds	Left	Thru	Right	Peds	Left	Thru	Right	Peds	
06:00	2	5	0	0	2	40	2	0	13	3	4	0	0	86	32	0	189
06:15	3	10	0	0	7	50	0	0	14	6	8	0	3	131	31	0	263
06:30	5	15	3	0	6	58	2	0	20	6	12	0	3	174	62	0	366
06:45	10	23	3	0	9	113	4	0	33	7	12	0	6	220	95	0	535
Total	20	53	6	0	24	261	8	0	80	22	36	0	12	611	220	0	1353
07:00	6	22	7	0	20	99	4	0	32	7	14	0	6	270	80	0	567
07:15	12	21	2	0	13	129	5	0	34	14	26	0	3	338	103	0	700
07:30	14	24	7	0	29	151	8	0	42	13	34	0	13	354	78	0	767
07:45	5	35	1	0	29	190	12	0	75	17	29	0	15	333	106	0	847
Total	37	102	17	0	91	569	29	0	183	51	103	0	37	1295	367	0	2881
08:00	19	27	3	0	31	185	5	0	61	18	20	0	5	308	78	0	760
08:15	12	17	0	0	28	182	8	0	32	14	10	0	6	239	84	0	632
08:30	10	20	2	0	19	124	8	0	29	11	14	0	7	232	65	0	541
08:45	5	20	15	0	19	141	7	0	34	20	20	0	7	232	65	0	585
Total	46	84	20	0	97	632	28	0	156	63	64	0	25	1011	292	0	2518
09:00	6	18	10	0	16	94	6	0	28	11	19	0	3	178	67	0	456
09:15	12	9	4	0	11	102	11	0	24	11	14	0	7	166	48	0	419
*** BREAK ***																	
Total	18	27	14	0	27	196	17	0	52	22	33	0	10	344	115	0	875
*** BREAK ***																	
10:30	12	13	4	0	16	90	10	0	37	17	12	0	4	158	31	0	404
10:45	4	16	4	0	15	102	10	0	42	18	13	0	3	165	49	0	441
Total	16	29	8	0	31	192	20	0	79	35	25	0	7	323	80	0	845
11:00	7	8	1	0	22	112	7	0	37	10	14	0	7	152	32	0	409
11:15	6	19	4	0	20	137	7	0	35	11	18	0	6	134	31	0	428
11:30	4	15	2	0	24	133	8	0	44	26	13	0	13	145	42	0	469
11:45	7	25	2	0	30	145	13	0	44	13	25	0	5	172	43	0	524
Total	24	67	9	0	96	527	35	0	160	60	70	0	31	603	148	0	1830
12:00	11	13	3	0	33	145	15	0	47	19	13	0	6	142	40	0	487
12:15	10	26	5	0	25	147	10	0	39	15	16	0	12	164	33	0	502
12:30	13	14	2	0	33	128	6	0	43	24	15	0	9	150	28	0	465
12:45	6	20	4	0	20	160	8	0	43	19	22	0	2	176	34	0	514
Total	40	73	14	0	111	580	39	0	172	77	66	0	29	632	135	0	1968
13:00	10	20	6	0	17	152	9	0	40	25	21	0	12	171	38	0	521
13:15	11	19	1	0	16	143	7	0	44	25	18	0	4	137	48	0	473
*** BREAK ***																	
Total	21	39	7	0	33	295	16	0	84	50	39	0	16	308	86	0	994
*** BREAK ***																	
14:30	9	14	2	0	28	212	9	0	46	23	31	0	7	161	36	0	578
14:45	6	15	4	0	32	226	14	0	45	22	17	0	6	170	29	0	586
Total	15	29	6	0	60	438	23	0	91	45	48	0	13	331	65	0	1164
15:00	5	20	5	0	28	213	18	0	69	27	21	0	7	153	43	0	609
15:15	13	16	2	0	27	229	8	0	59	19	26	0	7	178	36	0	620
15:30	2	8	3	0	36	228	21	1	76	34	25	0	6	188	51	0	679
15:45	15	15	7	0	26	292	16	0	58	29	28	0	8	184	41	0	719
Total	35	59	17	0	117	962	63	1	262	109	100	0	28	703	171	0	2627



MINNESOTA DEPT OF TRANSPORTATION

TRAFFIC DATA COLLECTION - METRO

TH-7 at Shady Oak Rd / CSAH-61
 ref.pt.: 190.030
 Counter: Ken Levin ALLIANT CONSULT.
 TURN MOVEMENT COUNT

File Name : TH-7 at Shady Oak Rd - CSAH-61 2007
 Site Code : 00000145
 Start Date : 11/28/2007
 Page No : 2

Groups Printed- Cars & Trucks

Start Time	Shady Oak Rd / CSAH-61 Southbound				TH-7 Westbound				Shady Oak Rd / CSAH-61 Northbound				TH-7 Eastbound				Int. Total
	Left	Thru	Right	Peds	Left	Thru	Right	Peds	Left	Thru	Right	Peds	Left	Thru	Right	Peds	
16:00	10	21	3	0	34	257	18	0	106	36	30	0	12	184	46	0	757
16:15	10	21	3	0	35	272	23	0	82	35	29	0	8	229	47	0	794
16:30	17	29	4	0	26	273	17	0	87	41	32	0	11	194	51	0	782
16:45	11	32	8	0	42	277	20	0	93	46	33	0	14	195	42	0	813
Total	48	103	18	0	137	1079	78	0	368	158	124	0	45	802	186	0	3146
17:00	14	22	10	0	29	305	28	0	93	48	36	0	12	205	57	0	859
17:15	10	25	6	0	28	303	28	0	73	72	27	0	15	263	64	0	914
17:30	4	21	2	0	42	246	27	0	72	35	33	0	9	220	44	0	755
17:45	8	21	2	0	42	220	24	0	68	36	41	0	7	196	35	0	700
Total	36	89	20	0	141	1074	107	0	306	191	137	0	43	884	200	0	3228
Grand Total	356	754	156	0	965	6805	463	1	1993	883	845	0	296	7847	2065	0	23429
Apprch %	28.1	59.6	12.3	0	11.7	82.6	5.6	0	53.6	23.7	22.7	0	2.9	76.9	20.2	0	
Total %	1.5	3.2	0.7	0	4.1	29	2	0	8.5	3.8	3.6	0	1.3	33.5	8.8	0	



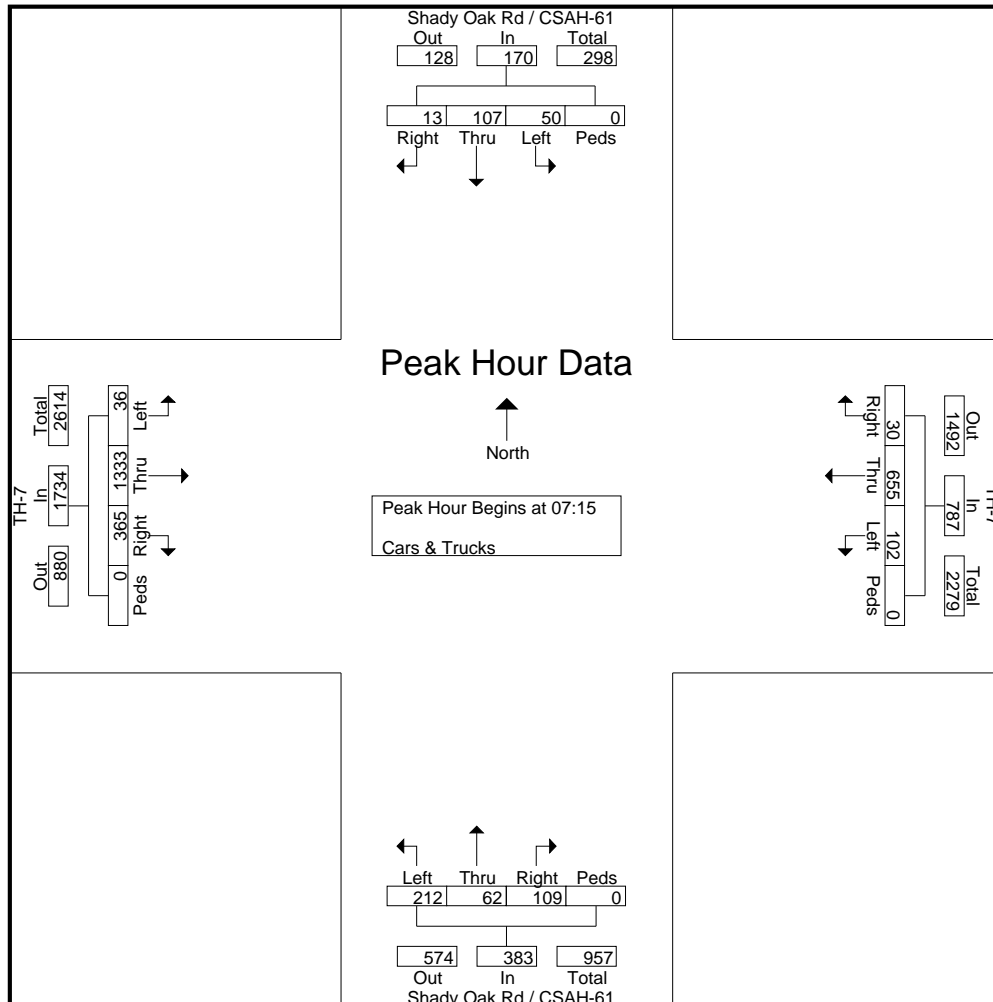
MINNESOTA DEPT OF TRANSPORTATION

TRAFFIC DATA COLLECTION - METRO

TH-7 at Shady Oak Rd / CSAH-61
 ref.pt.: 190.030
 Counter: Ken Levin ALLIANT CONSULT.
 TURN MOVEMENT COUNT

File Name : TH-7 at Shady Oak Rd - CSAH-61 2007
 Site Code : 00000145
 Start Date : 11/28/2007
 Page No : 3

Start Time	Shady Oak Rd / CSAH-61 Southbound					TH-7 Westbound					Shady Oak Rd / CSAH-61 Northbound					TH-7 Eastbound					Int. Total
	Left	Thru	Right	Peds	App. Total	Left	Thru	Right	Peds	App. Total	Left	Thru	Right	Peds	App. Total	Left	Thru	Right	Peds	App. Total	
Peak Hour Analysis From 06:00 to 09:15 - Peak 1 of 1																					
Peak Hour for Entire Intersection Begins at 07:15																					
07:15	12	21	2	0	35	13	129	5	0	147	34	14	26	0	74	3	338	103	0	444	700
07:30	14	24	7	0	45	29	151	8	0	188	42	13	34	0	89	13	354	78	0	445	767
07:45	5	35	1	0	41	29	190	12	0	231	75	17	29	0	121	15	333	106	0	454	847
08:00	19	27	3	0	49	31	185	5	0	221	61	18	20	0	99	5	308	78	0	391	760
Total Volume	50	107	13	0	170	102	655	30	0	787	212	62	109	0	383	36	1333	365	0	1734	3074
% App. Total	29.4	62.9	7.6	0		13	83.2	3.8	0		55.4	16.2	28.5	0		2.1	76.9	21	0		
PHF	.658	.764	.464	.000	.867	.823	.862	.625	.000	.852	.707	.861	.801	.000	.791	.600	.941	.861	.000	.955	.907





MINNESOTA DEPT OF TRANSPORTATION

TRAFFIC DATA COLLECTION - METRO

TH-7 at Shady Oak Rd / CSAH-61
 ref.pt.: 190.030
 Counter: Ken Levin ALLIANT CONSULT.
 TURN MOVEMENT COUNT

File Name : TH-7 at Shady Oak Rd - CSAH-61 2007
 Site Code : 00000145
 Start Date : 11/28/2007
 Page No : 4

Start Time	Shady Oak Rd / CSAH-61 Southbound					TH-7 Westbound					Shady Oak Rd / CSAH-61 Northbound					TH-7 Eastbound					Int. Total
	Left	Thru	Right	Peds	App. Total	Left	Thru	Right	Peds	App. Total	Left	Thru	Right	Peds	App. Total	Left	Thru	Right	Peds	App. Total	
Peak Hour Analysis From 14:30 to 17:45 - Peak 1 of 1																					
Peak Hour for Entire Intersection Begins at 16:30																					
16:30	17	29	4	0	50	26	273	17	0	316	87	41	32	0	160	11	194	51	0	256	782
16:45	11	32	8	0	51	42	277	20	0	339	93	46	33	0	172	14	195	42	0	251	813
17:00	14	22	10	0	46	29	305	28	0	362	93	48	36	0	177	12	205	57	0	274	859
17:15	10	25	6	0	41	28	303	28	0	359	73	72	27	0	172	15	263	64	0	342	914
Total Volume	52	108	28	0	188	125	1158	93	0	1376	346	207	128	0	681	52	857	214	0	1123	3368
% App. Total	27.7	57.4	14.9	0		9.1	84.2	6.8	0		50.8	30.4	18.8	0		4.6	76.3	19.1	0		
PHF	.765	.844	.700	.000	.922	.744	.949	.830	.000	.950	.930	.719	.889	.000	.962	.867	.815	.836	.000	.821	.921

