



MINNESOTA DEPT OF TRANSPORTATION

TRAFFIC DATA COLLECTION - METRO

TH-8 at Olinda Trail / CSAH-25
 Ref.Pt.: 011.918
 JAMAR # T-2638 CAH
 TURN MOVEMENT COUNT

File Name : TH-8 at Olinda Trail CSAH-25 2010
 Site Code : 00000000
 Start Date : 5/25/2010
 Page No : 1

Groups Printed- Cars & Trucks

Start Time	Olinda Trail Southbound				TH-8 / Lake Blvd Westbound				Olinda Trail / CSAH-25 Northbound				TH-8 / Lake Blvd Eastbound				Int. Total
	Left	Thru	Right	Peds	Left	Thru	Right	Peds	Left	Thru	Right	Peds	Left	Thru	Right	Peds	
06:00	0	1	1	0	7	140	0	2	5	0	6	0	1	50	9	0	222
06:15	0	0	1	0	11	123	1	0	8	0	7	0	0	72	6	0	229
06:30	0	1	3	0	10	147	2	0	2	0	17	0	2	82	21	0	287
06:45	0	2	0	0	10	132	2	1	5	0	14	0	1	85	17	0	269
Total	0	4	5	0	38	542	5	3	20	0	44	0	4	289	53	0	1007
07:00	0	0	6	0	57	117	0	4	2	0	34	1	1	99	39	0	360
07:15	0	0	7	0	95	174	1	0	0	0	47	0	0	117	83	2	526
07:30	0	1	4	0	40	153	1	0	4	0	25	0	5	127	40	0	400
07:45	0	0	5	0	11	154	1	0	4	0	24	0	0	169	18	1	387
Total	0	1	22	0	203	598	3	4	10	0	130	1	6	512	180	3	1673
08:00	0	0	4	0	8	115	2	0	8	0	18	0	2	122	23	0	302
08:15	0	1	0	0	10	115	0	0	5	0	13	0	0	119	25	0	288
08:30	0	0	3	0	9	114	0	2	3	0	12	0	1	109	24	0	277
08:45	3	0	7	0	13	107	0	1	10	1	9	0	1	100	27	0	279
Total	3	1	14	0	40	451	2	3	26	1	52	0	4	450	99	0	1146
*** BREAK ***																	
15:00	0	0	4	0	19	121	4	5	5	0	18	0	2	148	39	13	378
15:15	0	0	2	0	17	116	1	3	7	0	18	0	2	150	33	3	352
15:30	0	1	0	0	22	113	2	0	8	1	13	0	1	151	49	13	374
15:45	2	0	2	0	25	147	1	3	8	0	22	0	3	155	80	3	451
Total	2	1	8	0	83	497	8	11	28	1	71	0	8	604	201	32	1555
16:00	2	1	2	0	22	114	2	2	3	1	16	0	5	171	63	1	405
16:15	0	1	3	1	23	160	0	1	1	0	22	0	3	174	67	0	456
16:30	0	0	0	0	32	204	1	0	5	0	28	0	7	192	49	0	518
16:45	0	0	2	0	33	151	0	2	7	1	21	0	2	209	62	1	491
Total	2	2	7	1	110	629	3	5	16	2	87	0	17	746	241	2	1870
17:00	0	0	5	0	20	137	0	2	5	2	38	0	5	216	50	3	483
17:15	0	0	8	0	22	133	1	1	11	0	24	0	6	196	44	2	448
17:30	0	0	2	0	18	110	0	0	10	1	24	0	9	173	55	1	403
17:45	0	1	4	0	28	86	0	2	14	1	25	0	4	171	65	0	401
Total	0	1	19	0	88	466	1	5	40	4	111	0	24	756	214	6	1735
Grand Total	7	10	75	1	562	3183	22	31	140	8	495	1	63	3357	988	43	8986
Apprch %	7.5	10.8	80.6	1.1	14.8	83.8	0.6	0.8	21.7	1.2	76.9	0.2	1.4	75.4	22.2	1	
Total %	0.1	0.1	0.8	0	6.3	35.4	0.2	0.3	1.6	0.1	5.5	0	0.7	37.4	11	0.5	



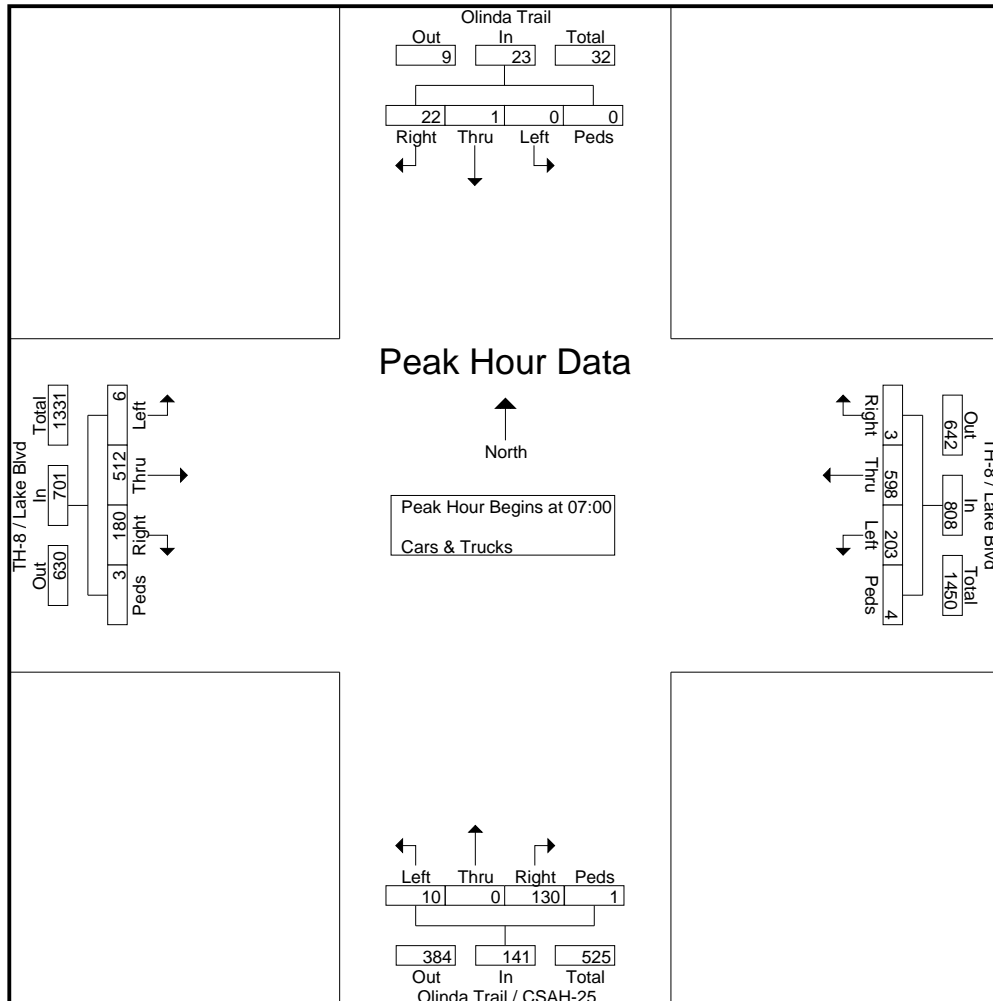
MINNESOTA DEPT OF TRANSPORTATION

TRAFFIC DATA COLLECTION - METRO

TH-8 at Olinda Trail / CSAH-25
 Ref.Pt.: 011.918
 JAMAR # T-2638 CAH
 TURN MOVEMENT COUNT

File Name : TH-8 at Olinda Trail CSAH-25 2010
 Site Code : 00000000
 Start Date : 5/25/2010
 Page No : 2

Start Time	Olinda Trail Southbound					TH-8 / Lake Blvd Westbound					Olinda Trail / CSAH-25 Northbound					TH-8 / Lake Blvd Eastbound					Int. Total
	Left	Thru	Right	Peds	App. Total	Left	Thru	Right	Peds	App. Total	Left	Thru	Right	Peds	App. Total	Left	Thru	Right	Peds	App. Total	
Peak Hour Analysis From 06:00 to 08:45 - Peak 1 of 1																					
Peak Hour for Entire Intersection Begins at 07:00																					
07:00	0	0	6	0	6	57	117	0	4	178	2	0	34	1	37	1	99	39	0	139	360
07:15	0	0	7	0	7	95	174	1	0	270	0	0	47	0	47	0	117	83	2	202	526
07:30	0	1	4	0	5	40	153	1	0	194	4	0	25	0	29	5	127	40	0	172	400
07:45	0	0	5	0	5	11	154	1	0	166	4	0	24	0	28	0	169	18	1	188	387
Total Volume	0	1	22	0	23	203	598	3	4	808	10	0	130	1	141	6	512	180	3	701	1673
% App. Total	0	4.3	95.7	0		25.1	74	0.4	0.5		7.1	0	92.2	0.7		0.9	73	25.7	0.4		
PHF	.000	.250	.786	.000	.821	.534	.859	.750	.250	.748	.625	.000	.691	.250	.750	.300	.757	.542	.375	.868	.795





MINNESOTA DEPT OF TRANSPORTATION

TRAFFIC DATA COLLECTION - METRO

TH-8 at Olinda Trail / CSAH-25
 Ref.Pt.: 011.918
 JAMAR # T-2638 CAH
 TURN MOVEMENT COUNT

File Name : TH-8 at Olinda Trail CSAH-25 2010
 Site Code : 00000000
 Start Date : 5/25/2010
 Page No : 3

Start Time	Olinda Trail Southbound					TH-8 / Lake Blvd Westbound					Olinda Trail / CSAH-25 Northbound					TH-8 / Lake Blvd Eastbound					Int. Total
	Left	Thru	Right	Peds	App. Total	Left	Thru	Right	Peds	App. Total	Left	Thru	Right	Peds	App. Total	Left	Thru	Right	Peds	App. Total	

Peak Hour Analysis From 15:00 to 17:45 - Peak 1 of 1
 Peak Hour for Entire Intersection Begins at 16:15

16:15	0	1	3	1	5	23	160	0	1	184	1	0	22	0	23	3	174	67	0	244	456
16:30	0	0	0	0	0	32	204	1	0	237	5	0	28	0	33	7	192	49	0	248	518
16:45	0	0	2	0	2	33	151	0	2	186	7	1	21	0	29	2	209	62	1	274	491
17:00	0	0	5	0	5	20	137	0	2	159	5	2	38	0	45	5	216	50	3	274	483
Total Volume	0	1	10	1	12	108	652	1	5	766	18	3	109	0	130	17	791	228	4	1040	1948
% App. Total	0	8.3	83.3	8.3		14.1	85.1	0.1	0.7		13.8	2.3	83.8	0		1.6	76.1	21.9	0.4		
PHF	.000	.250	.500	.250	.600	.818	.799	.250	.625	.808	.643	.375	.717	.000	.722	.607	.916	.851	.333	.949	.940

