



MINNESOTA DEPT OF TRANSPORTATION

TRAFFIC DATA COLLECTION - METRO

TH-8 at Pleasant Valley Rd / CSAH-26
 Ref.Pt.: 014.327
 JAMAR #D4-3358 RC
 TURN MOVEMENT COUNT

File Name : TH-8 at Pleasant Valley Rd CSAH-26 2009
 Site Code : 00000000
 Start Date : 3/18/2009
 Page No : 1

Groups Printed- Cars & Trucks

Start Time	Pleasant Valley Rd / Co.Rd.82 Southbound				TH-8 Westbound				Pleasant Valley Rd / CSAH-26 Northbound				TH-8 Eastbound				Int. Total
	Left	Thru	Right	Peds	Left	Thru	Right	Peds	Left	Thru	Right	Peds	Left	Thru	Right	Peds	
06:00	0	5	0	0	4	69	0	0	5	1	1	0	0	19	7	0	111
06:15	0	5	0	0	4	71	1	0	7	0	0	0	0	22	21	0	131
06:30	0	4	1	0	5	83	0	0	8	0	0	0	0	24	18	0	143
06:45	0	5	0	0	11	75	0	0	7	1	0	0	0	32	26	0	157
Total	0	19	1	0	24	298	1	0	27	2	1	0	0	97	72	0	542
07:00	0	3	1	0	6	95	0	0	15	2	2	0	1	40	21	0	186
07:15	0	1	1	0	9	83	0	0	16	0	0	0	0	48	34	0	192
07:30	0	3	0	0	13	64	2	0	12	0	2	0	1	43	39	0	179
07:45	2	7	0	0	30	64	0	0	16	4	1	0	1	46	68	0	239
Total	2	14	2	0	58	306	2	0	59	6	5	0	3	177	162	0	796
08:00	1	7	1	0	16	72	0	0	12	1	1	0	1	32	32	0	176
08:15	0	5	2	0	6	66	0	0	10	0	1	0	1	38	26	0	155
08:30	0	0	0	0	5	55	0	0	7	1	2	0	1	46	12	0	129
08:45	0	2	1	0	4	55	0	0	13	1	0	0	2	47	20	0	145
Total	1	14	4	0	31	248	0	0	42	3	4	0	5	163	90	0	605
15:00	1	5	0	0	2	51	2	0	29	6	12	0	0	83	18	0	209
15:15	0	1	0	0	6	65	0	0	20	4	3	0	0	72	19	0	190
15:30	1	2	1	0	3	66	1	0	35	8	13	0	1	71	17	0	219
15:45	0	3	0	0	5	71	1	0	36	7	7	0	0	103	12	0	245
Total	2	11	1	0	16	253	4	0	120	25	35	0	1	329	66	0	863
16:00	1	1	2	0	0	54	0	0	31	7	8	0	2	100	21	0	227
16:15	1	1	0	0	1	58	0	0	37	3	6	0	1	111	10	0	229
16:30	0	2	0	0	0	41	1	0	53	6	24	0	0	125	21	0	273
16:45	1	0	2	0	1	67	1	0	29	4	19	0	1	109	20	0	254
Total	3	4	4	0	2	220	2	0	150	20	57	0	4	445	72	0	983
17:00	0	1	1	0	2	48	1	0	31	6	7	0	0	102	7	0	206
17:15	0	0	0	0	0	49	0	0	17	0	1	0	0	102	18	0	187
17:30	0	1	0	0	3	52	2	0	19	1	2	0	0	88	10	0	178
17:45	0	1	0	0	3	50	1	0	23	0	5	0	0	93	14	0	190
Total	0	3	1	0	8	199	4	0	90	7	15	0	0	385	49	0	761
Grand Total	8	65	13	0	139	1524	13	0	488	63	117	0	13	1596	511	0	4550
Apprch %	9.3	75.6	15.1	0	8.3	90.9	0.8	0	73.1	9.4	17.5	0	0.6	75.3	24.1	0	
Total %	0.2	1.4	0.3	0	3.1	33.5	0.3	0	10.7	1.4	2.6	0	0.3	35.1	11.2	0	



MINNESOTA DEPT OF TRANSPORTATION

TRAFFIC DATA COLLECTION - METRO

TH-8 at Pleasant Valley Rd / CSAH-26

Ref.Pt.: 014.327

JAMAR #D4-3358 RC

TURN MOVEMENT COUNT

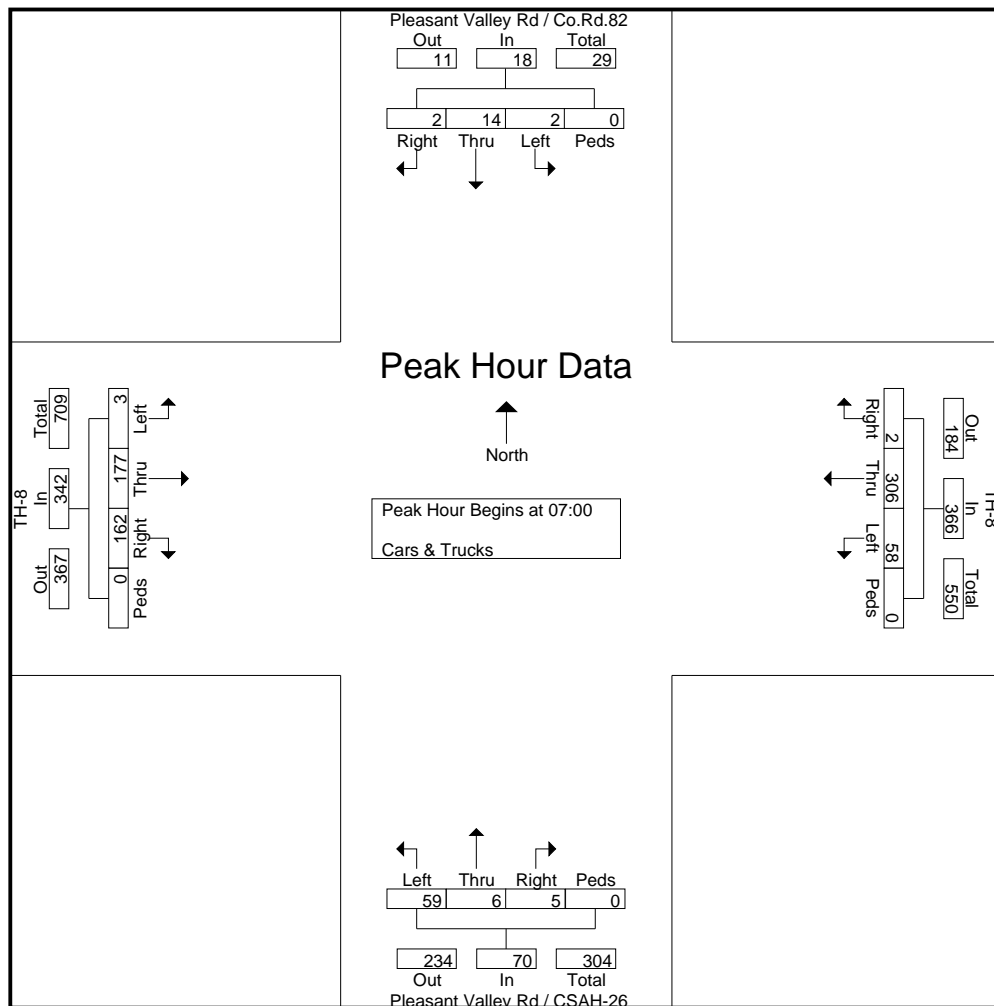
File Name : TH-8 at Pleasant Valley Rd CSAH-26 2009

Site Code : 00000000

Start Date : 3/18/2009

Page No : 2

Start Time	Pleasant Valley Rd / Co.Rd.82 Southbound					TH-8 Westbound					Pleasant Valley Rd / CSAH-26 Northbound					TH-8 Eastbound					Int. Total
	Left	Thru	Right	Peds	App. Total	Left	Thru	Right	Peds	App. Total	Left	Thru	Right	Peds	App. Total	Left	Thru	Right	Peds	App. Total	
Peak Hour Analysis From 06:00 to 08:45 - Peak 1 of 1																					
Peak Hour for Entire Intersection Begins at 07:00																					
07:00	0	3	1	0	4	6	95	0	0	101	15	2	2	0	19	1	40	21	0	62	186
07:15	0	1	1	0	2	9	83	0	0	92	16	0	0	0	16	0	48	34	0	82	192
07:30	0	3	0	0	3	13	64	2	0	79	12	0	2	0	14	1	43	39	0	83	179
07:45	2	7	0	0	9	30	64	0	0	94	16	4	1	0	21	1	46	68	0	115	239
Total Volume	2	14	2	0	18	58	306	2	0	366	59	6	5	0	70	3	177	162	0	342	796
% App. Total	11.1	77.8	11.1	0		15.8	83.6	0.5	0		84.3	8.6	7.1	0		0.9	51.8	47.4	0		
PHF	.250	.500	.500	.000	.500	.483	.805	.250	.000	.906	.922	.375	.625	.000	.833	.750	.922	.596	.000	.743	.833





MINNESOTA DEPT OF TRANSPORTATION

TRAFFIC DATA COLLECTION - METRO

TH-8 at Pleasant Valley Rd / CSAH-26
 Ref.Pt.: 014.327
 JAMAR #D4-3358 RC
 TURN MOVEMENT COUNT

File Name : TH-8 at Pleasant Valley Rd CSAH-26 2009
 Site Code : 00000000
 Start Date : 3/18/2009
 Page No : 3

Start Time	Pleasant Valley Rd / Co.Rd.82 Southbound					TH-8 Westbound					Pleasant Valley Rd / CSAH-26 Northbound					TH-8 Eastbound					Int. Total
	Left	Thru	Right	Peds	App. Total	Left	Thru	Right	Peds	App. Total	Left	Thru	Right	Peds	App. Total	Left	Thru	Right	Peds	App. Total	
16:00	1	1	2	0	4	0	54	0	0	54	31	7	8	0	46	2	100	21	0	123	227
16:15	1	1	0	0	2	1	58	0	0	59	37	3	6	0	46	1	111	10	0	122	229
16:30	0	2	0	0	2	0	41	1	0	42	53	6	24	0	83	0	125	21	0	146	273
16:45	1	0	2	0	3	1	67	1	0	69	29	4	19	0	52	1	109	20	0	130	254
Total Volume	3	4	4	0	11	2	220	2	0	224	150	20	57	0	227	4	445	72	0	521	983
% App. Total	27.3	36.4	36.4	0		0.9	98.2	0.9	0		66.1	8.8	25.1	0		0.8	85.4	13.8	0		
PHF	.750	.500	.500	.000	.688	.500	.821	.500	.000	.812	.708	.714	.594	.000	.684	.500	.890	.857	.000	.892	.900

Peak Hour Analysis From 15:00 to 17:45 - Peak 1 of 1
 Peak Hour for Entire Intersection Begins at 16:00

