

Associated Consulting Services (ACS)

Saint Paul, MN 55127

-- TRAFFIC DATA --

Location: TH-95 at 5th Ave_2018

Ref. Pt: 106+00.824

Data Prepared By: ACS

TURNING MOVEMENT COUNT

File Name : TH-95 at 5th Ave_2018

Site Code :

Start Date : 7/18/2018

Page No : 1

Groups Printed- Cars - Trucks

Start Time	TH-95 Southbound				5th Ave N Westbound				TH-95 Northbound				5th Ave N Eastbound				Int. Total
	Left	Thru	Right	Peds	Left	Thru	Right	Peds	Left	Thru	Right	Peds	Left	Thru	Right	Peds	
06:00	7	94	0	0	0	0	2	0	18	51	4	0	1	2	4	2	185
06:15	9	102	1	0	0	0	3	1	18	55	7	4	2	0	10	1	213
06:30	4	75	2	0	2	0	2	0	15	77	6	1	3	0	10	0	197
06:45	4	101	2	0	0	0	2	0	22	86	2	0	2	0	8	1	230
Total	24	372	5	0	2	0	9	1	73	269	19	5	8	2	32	4	825
07:00	10	130	3	0	0	3	3	0	33	132	2	1	4	1	3	1	326
07:15	3	97	5	0	2	0	1	0	25	110	1	0	3	0	6	0	253
07:30	4	110	7	0	0	1	3	0	27	129	3	0	0	1	4	0	289
07:45	1	123	4	0	1	0	0	0	26	166	1	0	1	2	7	0	332
Total	18	460	19	0	3	4	7	0	111	537	7	1	8	4	20	1	1200
08:00	3	169	5	0	0	1	2	0	41	153	3	0	3	0	17	1	398
08:15	1	128	6	0	0	0	1	0	22	173	0	0	3	1	7	1	343
08:30	0	114	5	0	1	2	1	0	15	117	5	0	3	1	13	0	277
08:45	2	91	0	0	0	0	1	0	13	130	0	0	5	0	5	1	248
Total	6	502	16	0	1	3	5	0	91	573	8	0	14	2	42	3	1266
09:00	2	116	10	0	1	0	0	0	16	136	2	0	2	1	13	0	299
09:15	0	110	6	0	0	0	3	0	17	101	1	0	4	1	10	0	253
09:30	3	73	2	0	0	0	3	0	16	113	3	0	1	0	10	4	228
09:45	4	73	10	0	1	1	1	0	15	104	1	1	5	0	7	0	223
Total	9	372	28	0	2	1	7	0	64	454	7	1	12	2	40	4	1003
10:00	1	100	8	0	1	0	0	0	17	107	0	0	4	0	8	0	246
10:15	0	82	6	0	0	1	0	0	19	102	0	0	4	1	9	0	224
10:30	0	71	12	2	0	0	3	0	10	108	0	1	2	0	13	0	222
10:45	3	86	6	0	0	0	1	0	13	102	2	0	5	0	11	0	229
Total	4	339	32	2	1	1	4	0	59	419	2	1	15	1	41	0	921
11:00	0	102	4	0	0	0	1	0	29	129	0	1	4	0	17	4	291
11:15	3	88	8	0	0	0	2	0	11	114	0	0	3	0	13	0	242
11:30	1	105	9	1	2	1	1	0	18	106	1	0	5	0	13	2	265
11:45	2	109	4	0	0	2	3	0	14	118	1	0	5	0	5	2	265
Total	6	404	25	1	2	3	7	0	72	467	2	1	17	0	48	8	1063
12:00	3	125	9	0	0	0	2	0	24	113	3	0	5	0	24	0	308
12:15	0	98	4	1	1	2	2	1	22	129	1	2	6	2	24	3	298
12:30	0	116	11	0	1	0	1	0	19	115	1	1	5	0	11	0	281
12:45	1	124	6	0	0	0	1	0	13	131	0	0	3	2	21	1	303
Total	4	463	30	1	2	2	6	1	78	488	5	3	19	4	80	4	1190
13:00	3	97	6	0	0	1	1	0	21	114	3	1	2	0	17	0	266
13:15	4	103	5	0	0	1	2	0	17	124	0	0	5	1	11	0	273
13:30	2	102	6	0	1	0	0	1	17	130	3	1	6	0	18	0	287
13:45	3	104	4	0	0	0	1	0	23	124	4	0	2	0	14	0	279
Total	12	406	21	0	1	2	4	1	78	492	10	2	15	1	60	0	1105
14:00	5	119	11	0	0	5	1	1	25	128	7	0	3	0	7	0	312
14:15	8	144	10	0	2	0	4	1	17	140	2	0	2	1	12	0	343
14:30	11	149	5	0	0	0	6	1	27	167	1	0	1	1	14	1	384

Associated Consulting Services (ACS)

Saint Paul, MN 55127

-- TRAFFIC DATA --

Location: TH-95 at 5th Ave_2018

Ref. Pt: 106+00.824

Data Prepared By: ACS

TURNING MOVEMENT COUNT

File Name : TH-95 at 5th Ave_2018

Site Code :

Start Date : 7/18/2018

Page No : 2

Groups Printed- Cars - Trucks

Start Time	TH-95 Southbound				5th Ave N Westbound				TH-95 Northbound				5th Ave N Eastbound				Int. Total
	Left	Thru	Right	Peds	Left	Thru	Right	Peds	Left	Thru	Right	Peds	Left	Thru	Right	Peds	
14:45	4	143	2	0	0	2	12	1	15	143	4	4	2	2	15	0	349
Total	28	555	28	0	2	7	23	4	84	578	14	4	8	4	48	1	1388
15:00	4	171	7	2	4	2	28	0	29	152	0	4	0	1	15	1	420
15:15	0	165	8	1	3	1	7	0	41	143	2	0	2	0	14	0	387
15:30	1	145	12	0	2	1	8	1	23	137	1	0	0	0	9	0	340
15:45	1	130	13	0	2	0	5	1	19	152	1	0	6	2	13	0	345
Total	6	611	40	3	11	4	48	2	112	584	4	4	8	3	51	1	1492
16:00	2	175	7	0	1	1	10	0	18	176	2	1	4	0	18	0	415
16:15	1	132	6	2	1	1	6	0	20	178	0	1	6	0	35	0	389
16:30	1	169	6	0	1	2	11	0	28	179	0	0	4	0	34	0	435
16:45	3	201	10	0	0	0	8	0	22	225	0	0	4	0	27	1	501
Total	7	677	29	2	3	4	35	0	88	758	2	2	18	0	114	1	1740
17:00	2	174	11	0	0	0	5	0	26	181	0	0	9	1	25	0	434
17:15	0	180	12	0	1	0	1	0	20	192	0	0	8	0	22	0	436
17:30	1	149	11	0	0	0	1	1	18	205	1	0	5	1	15	1	409
17:45	1	132	8	0	0	1	1	0	21	196	1	0	4	0	10	0	375
Total	4	635	42	0	1	1	8	1	85	774	2	0	26	2	72	1	1654
Grand Total	128	5796	315	9	31	32	163	10	995	6393	82	24	168	25	648	28	14847
Apprch %	2	92.8	5	0.1	13.1	13.6	69.1	4.2	13.3	85.3	1.1	0.3	19.3	2.9	74.6	3.2	
Total %	0.9	39	2.1	0.1	0.2	0.2	1.1	0.1	6.7	43.1	0.6	0.2	1.1	0.2	4.4	0.2	
Cars	126	5421	302	9	31	32	155	10	957	5884	79	24	166	25	631	28	13880
% Cars	98.4	93.5	95.9	100	100	100	95.1	100	96.2	92	96.3	100	98.8	100	97.4	100	93.5
Trucks	2	375	13	0	0	0	8	0	38	509	3	0	2	0	17	0	967
% Trucks	1.6	6.5	4.1	0	0	0	4.9	0	3.8	8	3.7	0	1.2	0	2.6	0	6.5

Associated Consulting Services (ACS)

Saint Paul, MN 55127

-- TRAFFIC DATA --

Location: TH-95 at 5th Ave_2018

Ref. Pt: 106+00.824

Data Prepared By: ACS

TURNING MOVEMENT COUNT

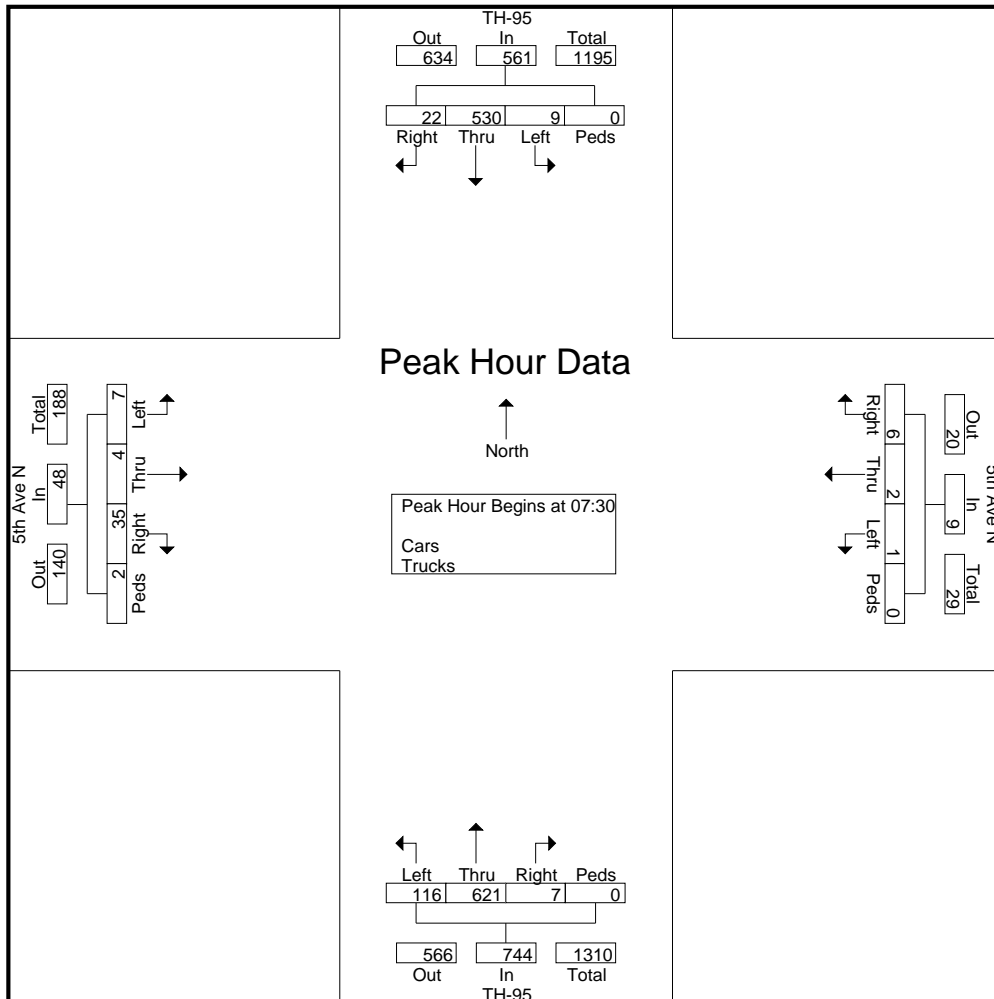
File Name : TH-95 at 5th Ave_2018

Site Code :

Start Date : 7/18/2018

Page No : 3

Start Time	TH-95 Southbound					5th Ave N Westbound					TH-95 Northbound					5th Ave N Eastbound					Int. Total
	Left	Thru	Right	Peds	App. Total	Left	Thru	Right	Peds	App. Total	Left	Thru	Right	Peds	App. Total	Left	Thru	Right	Peds	App. Total	
Peak Hour Analysis From 06:00 to 11:45 - Peak 1 of 1																					
Peak Hour for Entire Intersection Begins at 07:30																					
07:30	4	110	7	0	121	0	1	3	0	4	27	129	3	0	159	0	1	4	0	5	289
07:45	1	123	4	0	128	1	0	0	0	1	26	166	1	0	193	1	2	7	0	10	332
08:00	3	169	5	0	177	0	1	2	0	3	41	153	3	0	197	3	0	17	1	21	398
08:15	1	128	6	0	135	0	0	1	0	1	22	173	0	0	195	3	1	7	1	12	343
Total Volume	9	530	22	0	561	1	2	6	0	9	116	621	7	0	744	7	4	35	2	48	1362
% App. Total	1.6	94.5	3.9	0		11.1	22.2	66.7	0		15.6	83.5	0.9	0		14.6	8.3	72.9	4.2		
PHF	.563	.784	.786	.000	.792	.250	.500	.500	.000	.563	.707	.897	.583	.000	.944	.583	.500	.515	.500	.571	.856



Associated Consulting Services (ACS)

Saint Paul, MN 55127

-- TRAFFIC DATA --

Location: TH-95 at 5th Ave_2018

Ref. Pt: 106+00.824

Data Prepared By: ACS

TURNING MOVEMENT COUNT

File Name : TH-95 at 5th Ave_2018

Site Code :

Start Date : 7/18/2018

Page No : 4

Start Time	TH-95 Southbound					5th Ave N Westbound					TH-95 Northbound					5th Ave N Eastbound					Int. Total
	Left	Thru	Right	Peds	App. Total	Left	Thru	Right	Peds	App. Total	Left	Thru	Right	Peds	App. Total	Left	Thru	Right	Peds	App. Total	
Peak Hour Analysis From 12:00 to 17:45 - Peak 1 of 1																					
Peak Hour for Entire Intersection Begins at 16:30																					
16:30	1	169	6	0	176	1	2	11	0	14	28	179	0	0	207	4	0	34	0	38	435
16:45	3	201	10	0	214	0	0	8	0	8	22	225	0	0	247	4	0	27	1	32	501
17:00	2	174	11	0	187	0	0	5	0	5	26	181	0	0	207	9	1	25	0	35	434
17:15	0	180	12	0	192	1	0	1	0	2	20	192	0	0	212	8	0	22	0	30	436
Total Volume	6	724	39	0	769	2	2	25	0	29	96	777	0	0	873	25	1	108	1	135	1806
% App. Total	0.8	94.1	5.1	0		6.9	6.9	86.2	0		11	89	0	0		18.5	0.7	80	0.7		
PHF	.500	.900	.813	.000	.898	.500	.250	.568	.000	.518	.857	.863	.000	.000	.884	.694	.250	.794	.250	.888	.901

