



# MINNESOTA DEPT. OF TRANSPORTATION

## TRAFFIC DATA COLLECTION - METRO

TH-95 AT HUDSON RD S.  
 REF.PT.: 115.867  
 JAMAR# 631 RE  
 TURN MOVEMENT COUNT

File Name : TH-95 AT HUDSON RD S 2006  
 Site Code : 00000000  
 Start Date : 7/12/2006  
 Page No : 1

**Groups Printed- CARS & TRUCKS**

Start Time	TH-95 /MANNING AVE S Southbound				HUDSON RD S Westbound				TH-95 /MANNING AVE S Northbound				HUDSON RD S Eastbound				Int. Total
	Left	Thru	Right	Peds	Left	Thru	Right	Peds	Left	Thru	Right	Peds	Left	Thru	Right	Peds	
06:00	6	44	3	0	1	3	21	0	4	58	1	0	0	2	0	0	143
06:15	7	82	6	0	5	5	24	1	3	96	4	0	2	3	4	0	242
06:30	12	74	8	1	4	4	34	0	3	104	3	0	4	7	0	0	258
06:45	25	81	10	0	1	11	28	0	2	126	3	0	4	2	2	0	295
Total	50	281	27	1	11	23	107	1	12	384	11	0	10	14	6	0	938
07:00	22	63	8	0	4	2	25	0	5	93	1	0	5	2	1	0	231
07:15	9	82	11	0	5	8	35	0	4	115	2	0	4	1	2	0	278
07:30	10	78	11	0	6	4	28	0	6	132	1	0	13	7	5	0	301
07:45	24	69	13	0	2	10	20	0	8	127	2	0	8	4	2	0	289
Total	65	292	43	0	17	24	108	0	23	467	6	0	30	14	10	0	1099
08:00	22	64	8	0	6	3	19	0	2	118	6	0	4	5	2	0	259
08:15	20	66	8	0	3	3	19	0	4	97	5	0	6	2	3	0	236
08:30	16	61	11	0	3	7	24	0	3	74	7	0	5	7	1	0	219
08:45	31	65	11	0	2	11	21	0	5	95	7	0	9	5	0	0	262
Total	89	256	38	0	14	24	83	0	14	384	25	0	24	19	6	0	976
15:00	29	62	19	0	3	6	8	0	3	64	0	0	19	7	10	0	230
15:15	32	90	14	0	1	5	17	0	3	96	9	0	12	6	7	0	292
15:30	23	99	16	0	4	9	28	0	5	101	3	0	14	16	5	0	323
15:45	27	105	24	0	2	8	25	0	7	85	6	0	14	10	8	0	321
Total	111	356	73	0	10	28	78	0	18	346	18	0	59	39	30	0	1166
16:00	28	115	20	0	1	7	24	0	6	103	4	0	13	13	13	0	347
16:15	37	126	18	0	1	8	13	0	5	103	3	0	16	9	17	0	356
16:30	38	123	16	0	3	7	20	0	6	113	10	0	13	12	16	0	377
16:45	37	140	18	0	4	8	25	0	12	153	2	0	15	18	10	0	442
Total	140	504	72	0	9	30	82	0	29	472	19	0	57	52	56	0	1522
17:00	46	149	20	0	13	5	17	0	4	113	5	0	12	15	17	0	416
17:15	70	121	22	0	6	5	25	0	2	98	8	0	9	14	12	0	392
17:30	29	122	12	0	5	6	22	0	10	107	4	0	15	15	6	0	353
17:45	51	122	20	0	2	4	14	0	2	107	4	0	12	15	10	0	363
Total	196	514	74	0	26	20	78	0	18	425	21	0	48	59	45	0	1524
Grand Total	651	2203	327	1	87	149	536	1	114	2478	100	0	228	197	153	0	7225
Apprch %	20.5	69.2	10.3	0	11.3	19.3	69.3	0.1	4.2	92.1	3.7	0	39.4	34.1	26.5	0	
Total %	9	30.5	4.5	0	1.2	2.1	7.4	0	1.6	34.3	1.4	0	3.2	2.7	2.1	0	



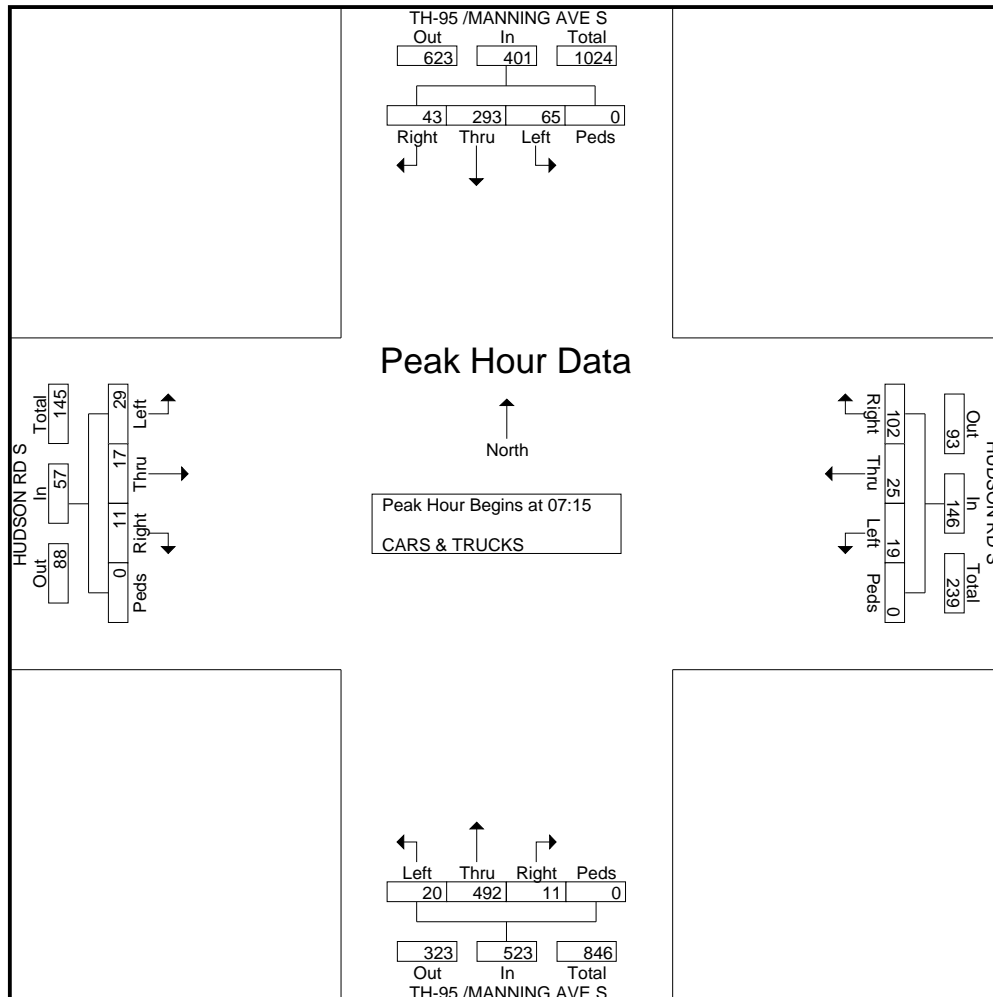
# MINNESOTA DEPT. OF TRANSPORTATION

## TRAFFIC DATA COLLECTION - METRO

TH-95 AT HUDSON RD S.  
 REF.PT.: 115.867  
 JAMAR# 631 RE  
 TURN MOVEMENT COUNT

File Name : TH-95 AT HUDSON RD S 2006  
 Site Code : 00000000  
 Start Date : 7/12/2006  
 Page No : 2

Start Time	TH-95 /MANNING AVE S Southbound					HUDSON RD S Westbound					TH-95 /MANNING AVE S Northbound					HUDSON RD S Eastbound					Int. Total
	Left	Thru	Right	Peds	App. Total	Left	Thru	Right	Peds	App. Total	Left	Thru	Right	Peds	App. Total	Left	Thru	Right	Peds	App. Total	
Peak Hour Analysis From 06:00 to 08:45 - Peak 1 of 1																					
Peak Hour for Entire Intersection Begins at 07:15																					
07:15	9	<b>82</b>	11	0	102	5	8	<b>35</b>	0	<b>48</b>	4	115	2	0	121	4	1	2	0	7	278
07:30	10	78	11	0	99	<b>6</b>	4	28	0	38	<b>6</b>	<b>132</b>	1	0	<b>139</b>	<b>13</b>	<b>7</b>	<b>5</b>	0	<b>25</b>	<b>301</b>
07:45	<b>24</b>	69	<b>13</b>	0	<b>106</b>	2	<b>10</b>	20	0	32	<b>8</b>	127	2	0	137	8	4	2	0	14	289
08:00	22	64	8	0	94	6	3	19	0	28	2	118	<b>6</b>	0	126	4	5	2	0	11	259
Total Volume	65	293	43	0	401	19	25	102	0	146	20	492	11	0	523	29	17	11	0	57	1127
% App. Total	16.2	73.1	10.7	0		13	17.1	69.9	0		3.8	94.1	2.1	0		50.9	29.8	19.3	0		
PHF	.677	.893	.827	.000	.946	.792	.625	.729	.000	.760	.625	.932	.458	.000	.941	.558	.607	.550	.000	.570	.936





# MINNESOTA DEPT. OF TRANSPORTATION

## TRAFFIC DATA COLLECTION - METRO

TH-95 AT HUDSON RD S.  
 REF.PT.: 115.867  
 JAMAR# 631 RE  
 TURN MOVEMENT COUNT

File Name : TH-95 AT HUDSON RD S 2006  
 Site Code : 00000000  
 Start Date : 7/12/2006  
 Page No : 3

Start Time	TH-95 /MANNING AVE S Southbound					HUDSON RD S Westbound					TH-95 /MANNING AVE S Northbound					HUDSON RD S Eastbound					Int. Total
	Left	Thru	Right	Peds	App. Total	Left	Thru	Right	Peds	App. Total	Left	Thru	Right	Peds	App. Total	Left	Thru	Right	Peds	App. Total	
Peak Hour Analysis From 15:00 to 17:45 - Peak 1 of 1																					
Peak Hour for Entire Intersection Begins at 16:30																					
16:30	38	123	16	0	177	3	7	20	0	30	6	113	<b>10</b>	0	129	13	12	16	0	41	377
16:45	37	140	18	0	195	4	<b>8</b>	<b>25</b>	0	<b>37</b>	<b>12</b>	<b>153</b>	2	0	<b>167</b>	<b>15</b>	<b>18</b>	10	0	43	<b>442</b>
17:00	46	<b>149</b>	20	0	<b>215</b>	<b>13</b>	5	17	0	35	4	113	5	0	122	12	15	<b>17</b>	0	<b>44</b>	416
17:15	<b>70</b>	121	<b>22</b>	0	213	6	5	25	0	36	2	98	8	0	108	9	14	12	0	35	392
Total Volume	191	533	76	0	800	26	25	87	0	138	24	477	25	0	526	49	59	55	0	163	1627
% App. Total	23.9	66.6	9.5	0		18.8	18.1	63	0		4.6	90.7	4.8	0		30.1	36.2	33.7	0		
PHF	.682	.894	.864	.000	.930	.500	.781	.870	.000	.932	.500	.779	.625	.000	.787	.817	.819	.809	.000	.926	.920

