



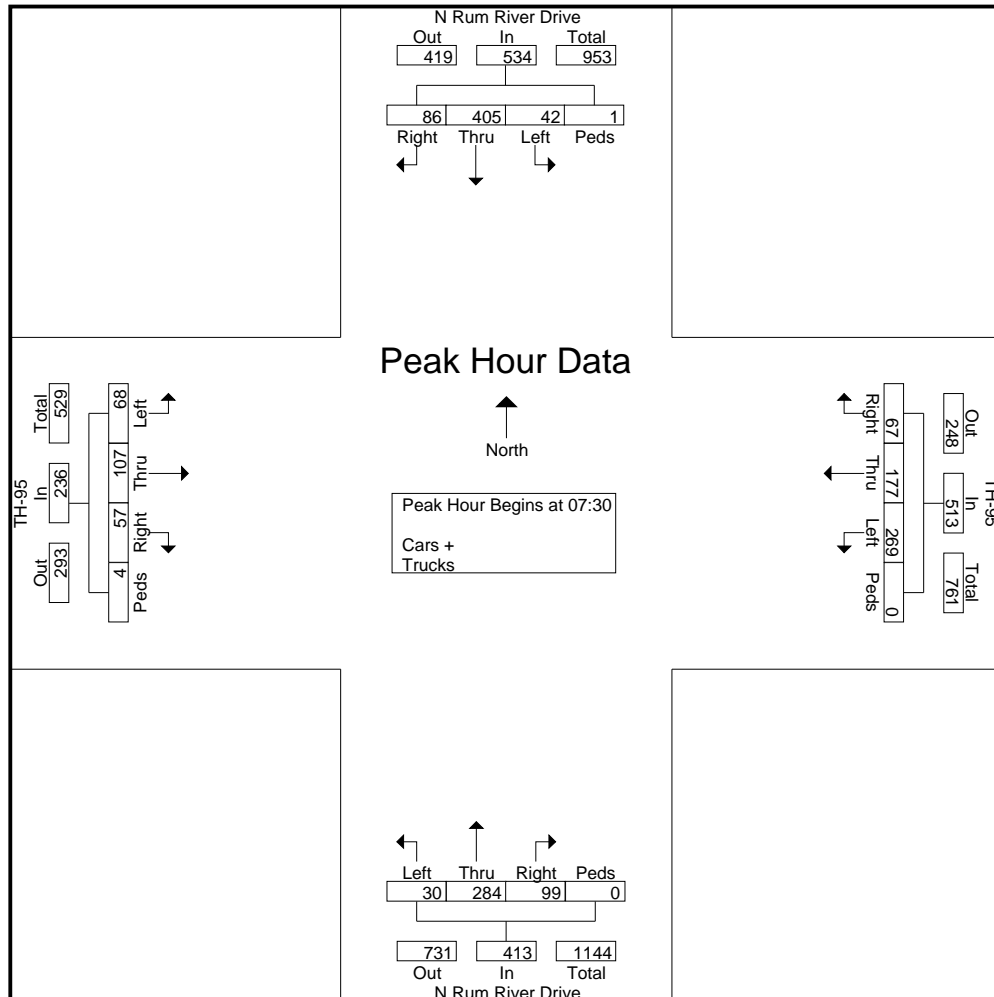
MINNESOTA DEPT OF TRANSPORTATION

TRAFFIC DATA COLLECTION - METRO

TH-95 at N Rum River Drive ROUNDABOUT
 Ref.Pt.: PRINCETON
 Data by: JI / RE
 TURN MOVEMENT COUNT

File Name : th-95 at n rum river dr roundabout 2013
 Site Code :
 Start Date : 5/10/2013
 Page No : 2

Start Time	N Rum River Drive Southbound					TH-95 Westbound					N Rum River Drive Northbound					TH-95 Eastbound					Int. Total
	Left	Thru	Right	Peds	App. Total	Left	Thru	Right	Peds	App. Total	Left	Thru	Right	Peds	App. Total	Left	Thru	Right	Peds	App. Total	
Peak Hour Analysis From 06:00 to 08:45 - Peak 1 of 1																					
Peak Hour for Entire Intersection Begins at 07:30																					
07:30	8	80	12	1	101	76	43	14	0	133	7	36	23	0	66	9	36	4	4	53	353
07:45	5	114	12	0	131	103	50	18	0	171	5	75	22	0	102	12	26	19	0	57	461
08:00	9	101	25	0	135	50	46	21	0	117	6	139	25	0	170	38	20	18	0	76	498
08:15	20	110	37	0	167	40	38	14	0	92	12	34	29	0	75	9	25	16	0	50	384
Total Volume	42	405	86	1	534	269	177	67	0	513	30	284	99	0	413	68	107	57	4	236	1696
% App. Total	7.9	75.8	16.1	0.2		52.4	34.5	13.1	0		7.3	68.8	24	0		28.8	45.3	24.2	1.7		
PHF	.525	.888	.581	.250	.799	.653	.885	.798	.000	.750	.625	.511	.853	.000	.607	.447	.743	.750	.250	.776	.851





MINNESOTA DEPT OF TRANSPORTATION

TRAFFIC DATA COLLECTION - METRO

TH-95 at N Rum River Drive ROUNDABOUT
 Ref.Pt.: PRINCETON
 Data by: JI / RE
 TURN MOVEMENT COUNT

File Name : th-95 at n rum river dr roundabout 2013
 Site Code :
 Start Date : 5/10/2013
 Page No : 3

Start Time	N Rum River Drive Southbound					TH-95 Westbound					N Rum River Drive Northbound					TH-95 Eastbound					Int. Total
	Left	Thru	Right	Peds	App. Total	Left	Thru	Right	Peds	App. Total	Left	Thru	Right	Peds	App. Total	Left	Thru	Right	Peds	App. Total	
Peak Hour Analysis From 15:00 to 17:45 - Peak 1 of 1																					
Peak Hour for Entire Intersection Begins at 16:45																					
16:45	14	58	15	0	87	39	38	13	0	90	24	74	61	0	159	25	65	24	0	114	450
17:00	8	68	18	0	94	47	40	19	0	106	22	90	78	0	190	26	55	25	1	107	497
17:15	11	71	33	0	115	31	45	18	0	94	31	102	73	1	207	25	47	14	3	89	505
17:30	15	68	15	0	98	44	44	10	0	98	11	61	64	0	136	25	59	27	0	111	443
Total Volume	48	265	81	0	394	161	167	60	0	388	88	327	276	1	692	101	226	90	4	421	1895
% App. Total	12.2	67.3	20.6	0		41.5	43	15.5	0		12.7	47.3	39.9	0.1		24	53.7	21.4	1		
PHF	.800	.933	.614	.000	.857	.856	.928	.789	.000	.915	.710	.801	.885	.250	.836	.971	.869	.833	.333	.923	.938

