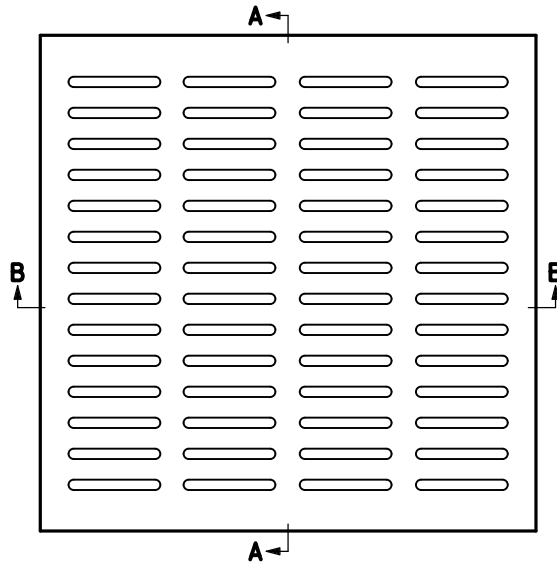
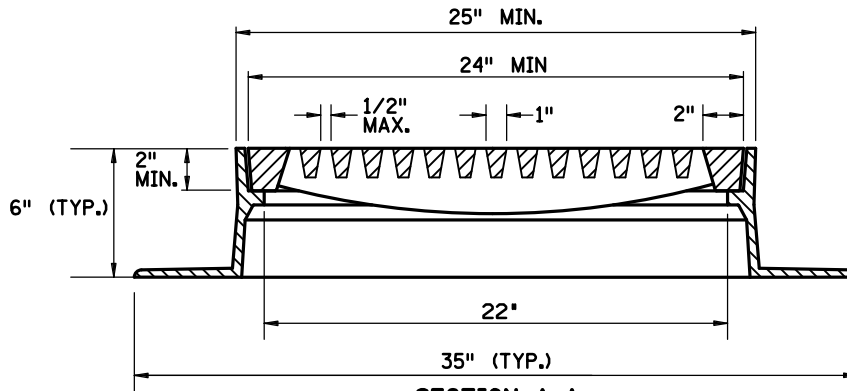


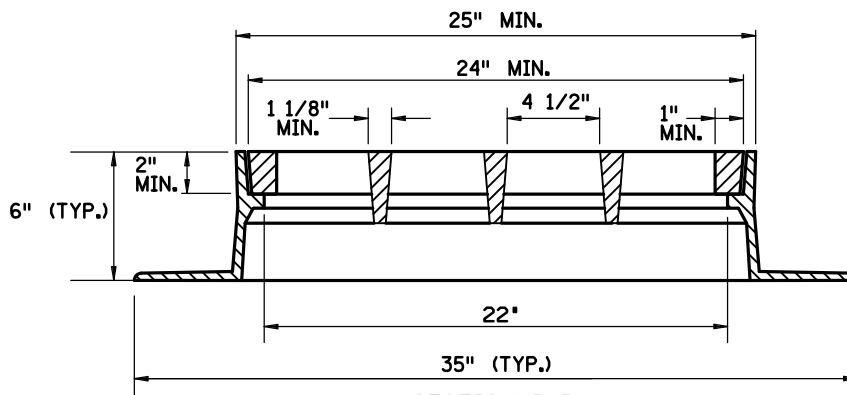
↑
DOMINANT DIRECTION OF
PEDESTRIAN TRAVEL.



TOP VIEW



SECTION A-A



SECTION B-B

NOTES

- GRATE CASTING IS ADA COMPLIANT.
- PLACE GRATE PERPENDICULAR TO THE DOMINANT DIRECTION OF PEDESTRIAN TRAVEL.
- ADA SAFE GRATE CASTING NEEDS TO BE USED WITH A NEW FRAME CASTING DUE TO THE NON-STANDARD GRATE SIZE.
- MINIMUM OPEN AREA 0.79 SQ FT.

**ADA CATCH BASIN FRAME
AND GRATE CASTING**