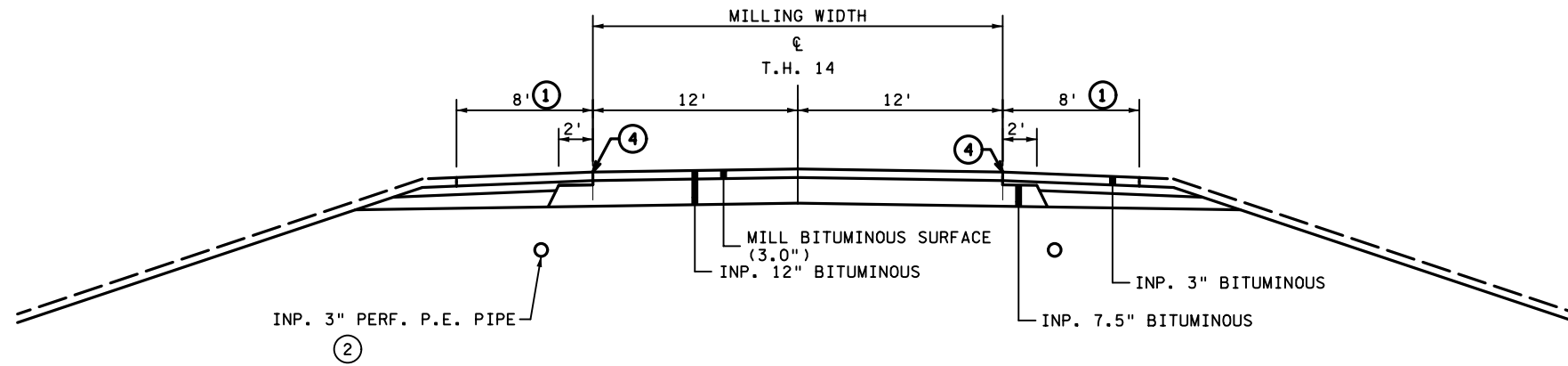


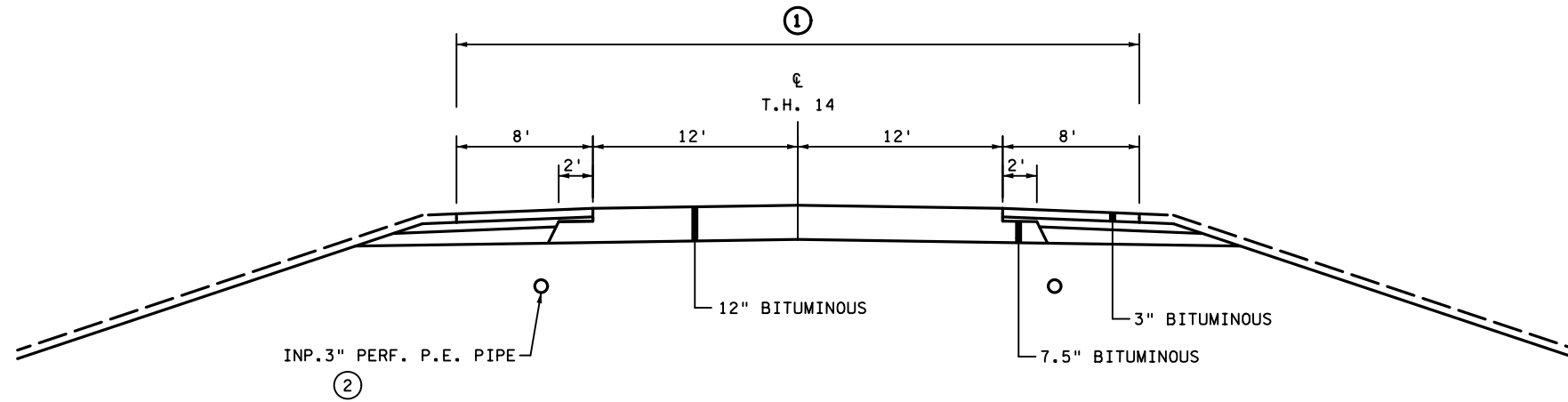
PLOTTED/REVISED: 18-JAN-2021

USER NAME: DISTRICT 7  
PATH & FILENAME: Projects\DT\_MKO\014\5202\058\Design\PlanSheets\Typical\520258\_1s.dgn

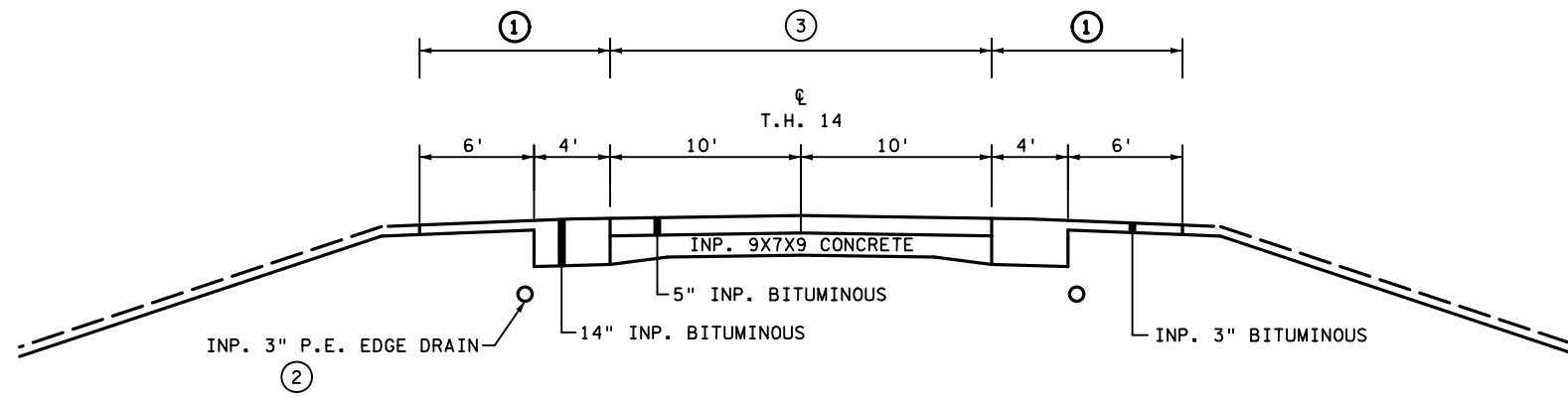
### INPLACE TYPICAL SECTION AT FRONTAGE ROAD



### INPLACE TYPICAL SECTION



### INPLACE TYPICAL SECTION



#### SPECIFIC NOTES:

- ① INCLUDED IN REMOVE BITUMINOUS PAVEMENT QUANTITY
- ② REMOVAL OF EXISTING EDGE DRAIN AND ASSOCIATED HEADWALL IS INCIDENTAL
- ③ INCLUDED IN REMOVE PAVEMENT QUANTITY
- ④ SAWCUT BITUMINOUS FULL DEPTH

CERTIFIED BY PRELIMINARY DESIGN PHASE PLAN  
 LICENSED PROFESSIONAL ENGINEER LIC NO. DATE 18-JAN-2021

TYPICAL SECTION  
 STATE PROJ. NO. 5202-58 (TH 14) SHEET NO. 42 OF 503 SHEETS

USER NAME: DISTRICT 7  
PATH & FILENAME: Projects\DT\_MKO\014\5202\058\Design\PlanSheets\Typical\520258\_1s.dgn

PLOTTED/REVISED: 18-JAN-2021

SHEET RESERVED FOR NON-TH 14 INPLACE TYPICAL SECTION

CERTIFIED BY PRELIMINARY DESIGN PHASE PLAN LICENCED PROFESSIONAL ENGINEER	LTC NO.	DATE 18-JAN-2021	TYPICAL SECTION STATE PROJ. NO. 5202-58 (TH 14) SHEET NO. 43 OF 503 SHEETS
--	---------	------------------	---

PLOTTED/REVISED: 18-JAN-2021

USER NAME: DISTRICT 7  
 PATH & FILENAME: Projects\DT\_MKOV014\5202\058\Design\Plan\Sheet\Typical\520258\_1s.dgn

T.H. 14 W.B. TYPICAL SECTION

STA 149+50 TO STA 212+75

INSET A

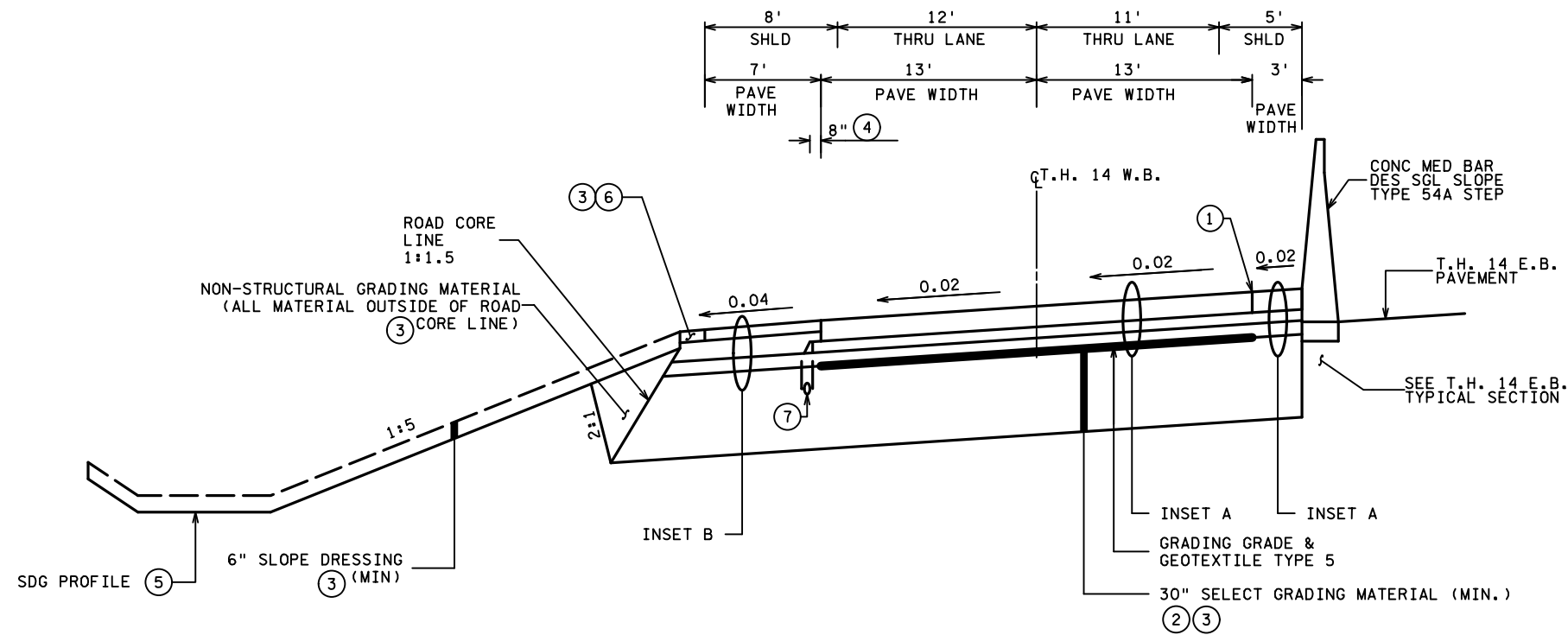


- 7.5" NON-REINFORCED DOWELED CONCRETE (1.00" DOWELS) SPEC 2301
- 4" DRAINABLE AGGREGATE BASE, TYPE DSB SPEC 2212
- 5" AGGREGATE BASE (CV) CLASS 6, SPEC 2211
- GRADING GRADE

INSET B



- 4" TYPE SP 12.5 WEARING COURSE MIXTURE (3,C)(SPWEB330C)(TWO EQUAL LIFTS), SPEC 2360
- VARIABLE (7.5" MAX.) SHOULDER BASE AGGREGATE (CV) CLASS 6, SPEC 2221
- 5" AGGREGATE BASE (CV) CLASS 6, SPEC 2211
- GRADING GRADE



GENERAL NOTES

- A. ALL CROSS SLOPES ARE IN FT. PER FT.
- B. UNLESS OTHERWISE SPECIFIED, THE GRADING GRADE CROSS-SLOPES WILL BE THE SAME AS THE DRIVING SURFACE.
- C. SEE CONSTRUCTION PLANS FOR SUPERELEVATION TRANSITION INFORMATION. MAXIMUM ROLLOVER ON SUPERELEVATED CURVES IS 0.07.

NOTES

- ① ALIGNMENTS AND PROFILES GENERATED AT THIS LOCATION. FOR T.H.14 W.B. USE ALIGNMENT EPH14WBEOP WITH PROFILE PPH14WBEOP
- ② SUBCUT INCLUDED IN EXCAVATION - COMMON QUANTITY.
- ③ INCLUDED IN COMMON EMBANKMENT (CV) QUANTITY.
- ④ DIMENSION TOP OF DSB EXTENDED PAST EDGE OF CONCRETE OR BACK OF CURB. TRUNCATE EDGE OF DSB AT 1:1 DURING PLACEMENT.
- ⑤ ELEVATION LABELED IN CROSS-SECTIONS
- ⑥ 4" SLOPE DRESSING W/ TURF ESTABLISHMENT
- ⑦ 4" PERFORATED PE PIPE DRAIN SUBSURFACE DRAINAGE SYSTEM - PERMEABLE AGGREGATE BASE TYPE SEE DETAIL ON SHEET 152 .

CERTIFIED BY PRELIMINARY DESIGN PHASE PLAN  
 LICENSED PROFESSIONAL ENGINEER DATE 18-JAN-2021

TYPICAL SECTION  
 STATE PROJ. NO. 5202-58 (TH 14) SHEET NO. 44 OF 503 SHEETS

**T.H. 14 W.B. TYPICAL SECTION**

STA 212+75 TO STA 225+00  
STA 263+75 TO STA 281+75

**INSET A**

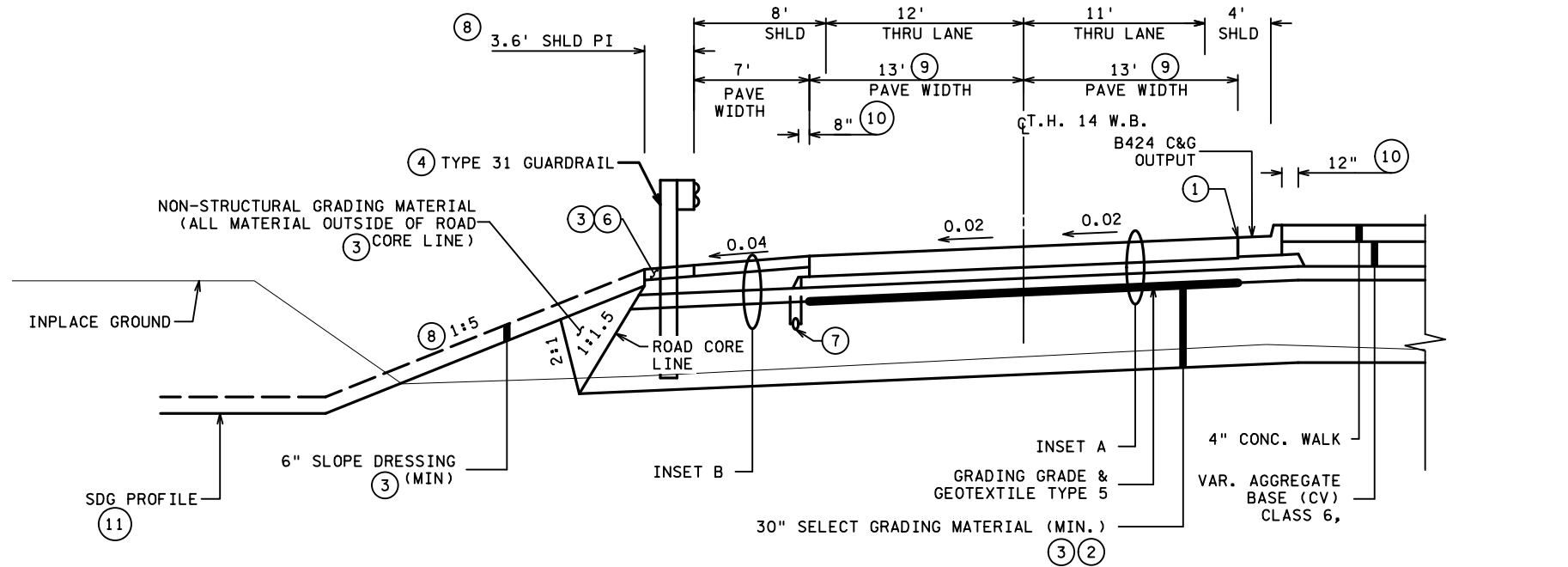


7.5" NON-REINFORCED DOWELED CONCRETE  
(1.00" DOWELS)  
SPEC 2301  
4" DRAINABLE AGGREGATE BASE, TYPE DSB  
SPEC 2212  
5" AGGREGATE BASE (CV) CLASS 6,  
SPEC 2211  
GRADING GRADE

**INSET B**

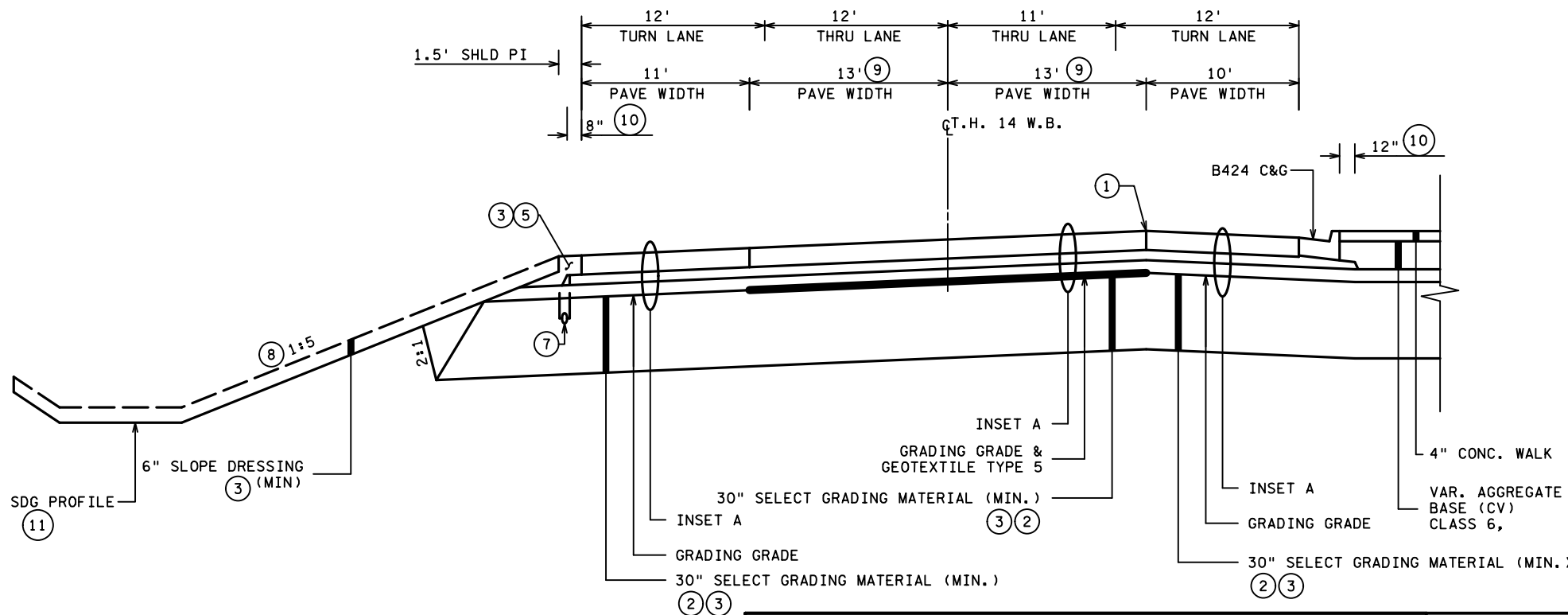


4" TYPE SP 12.5 WEARING COURSE  
MIXTURE (3,C)(SPWEB330C)(TWO EQUAL  
LIFTS), SPEC 2360  
VARIABLE (7.5" MAX.) SHOULDER BASE AGGREGATE (CV)  
CLASS 6, SPEC 2221  
5" AGGREGATE BASE (CV) CLASS 6,  
SPEC 2211  
GRADING GRADE



**RIGHT TURN LANE**

**LEFT TURN LANE**



**GENERAL NOTES**

- A. ALL CROSS SLOPES ARE IN FT. PER FT.
- B. UNLESS OTHERWISE SPECIFIED, THE GRADING GRADE CROSS-SLOPES WILL BE THE SAME AS THE DRIVING SURFACE.
- C. SEE CONSTRUCTION PLANS FOR SUPERELEVATION TRANSITION INFORMATION. MAXIMUM ROLLOVER ON SUPERELEVATED CURVES IS 0.07.

**NOTES**

- ① ALIGNMENTS AND PROFILES GENERATED AT THIS LOCATION. FOR T.H.14 W.B. USE ALIGNMENT EPH14WBEOP WITH PROFILE PPH14BEOP
  - ② SUBCUT INCLUDED IN EXCAVATION - COMMON QUANTITY.
  - ③ INCLUDED IN COMMON EMBANKMENT (CV) QUANTITY.
  - ④ GUARDRAIL STA \_\_\_\_\_ TO STA \_\_\_\_\_
  - ⑤ VAR. DEPTH SLOPE DRESSING W/ TURF ESTABLISHMENT
  - ⑥ 4" SLOPE DRESSING W/TURF ESTABLISHMENT
  - ⑦ 4" PERFORATED PE PIPE DRAIN SUBSURFACE DRAINAGE SYSTEM - PERMEABLE AGGREGATE BASE TYPE SEE DETAIL ON SHEET 152 .
  - ⑧ SHOWN ON TYPICAL IS 1:5 INSLOPE WITH A 3.6' SHOULDER PI WIDTH. SEE TABLE BELOW FOR INSLOPE AND SHOULDER PI WIDTHS
- | STA    | TO | STA    | INSLOPE | SHLD PI WIDTH (FEET) |
|--------|----|--------|---------|----------------------|
| XXX+XX | TO | XXX+XX | 1:5     | 1.5                  |
| XXX+XX | TO | XXX+XX | 1:3     | 3.6                  |
| XXX+XX | TO | XXX+XX | 1:5     | 1.3                  |
- ⑨ GEOTEXTILE WIDTH
  - ⑩ DIMENSION TOP OF DSB EXTENDED PAST EDGE OF CONCRETE OR BACK OF CURB. TRUNCATE EDGE OF DSB AT 1:1 DURING PLACEMENT.
  - ⑪ ELEVATION LABELED IN CROSS-SECTIONS

CERTIFIED BY \_\_\_\_\_ PRELIMINARY DESIGN PHASE PLAN  
LICENSED PROFESSIONAL ENGINEER \_\_\_\_\_ LIC NO. \_\_\_\_\_ DATE 18-JAN-2021

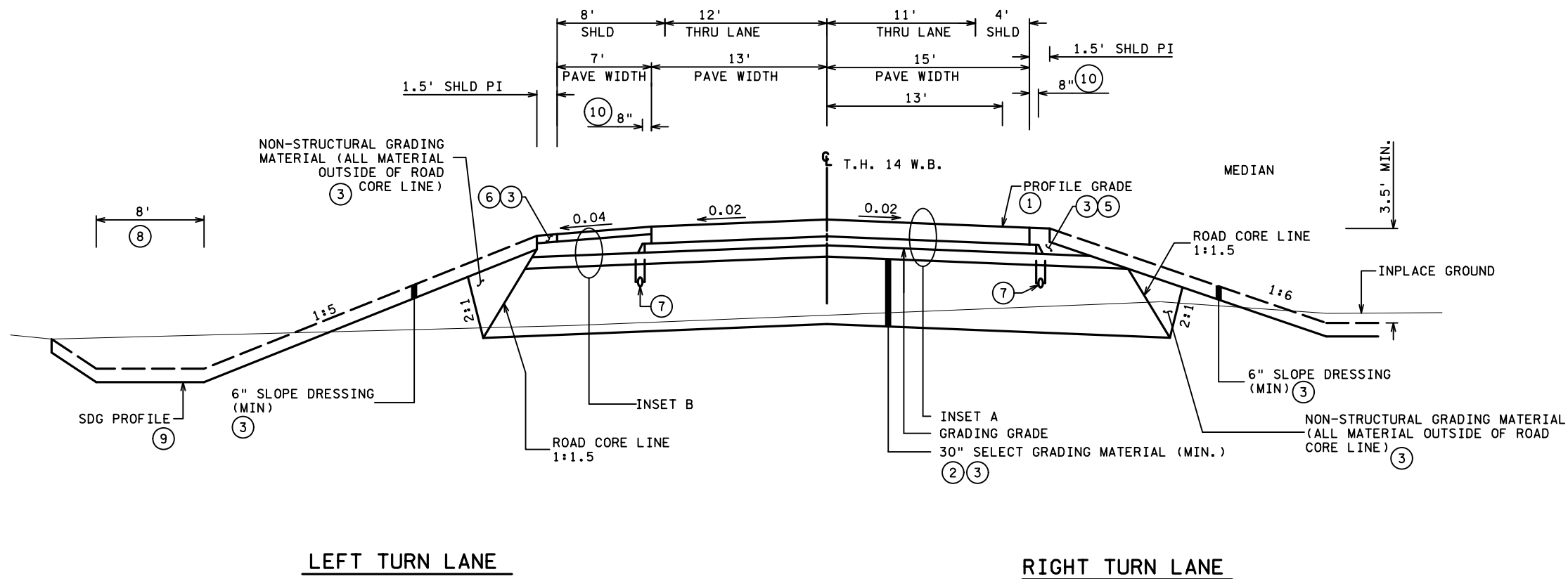
TYPICAL SECTION  
STATE PROJ. NO. 5202-58 (TH 14) SHEET NO. 45 OF 503 SHEETS

PLOTTED/REVISED: 18-JAN-2021

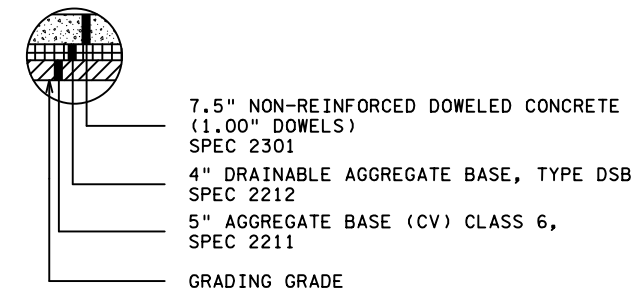
USER NAME: DISTRICT 7  
PATH & FILENAME: Projects\DT\_MKO\014\5202\058\Design\Plan\Sheet\Typical\520258\_1s.dgn

**T.H. 14 W.B. TYPICAL SECTION**

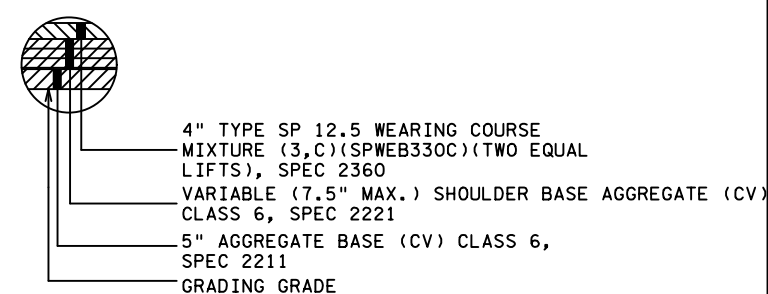
STA 307+00 TO STA 738+00



**INSET A**



**INSET B**



**LEFT TURN LANE**

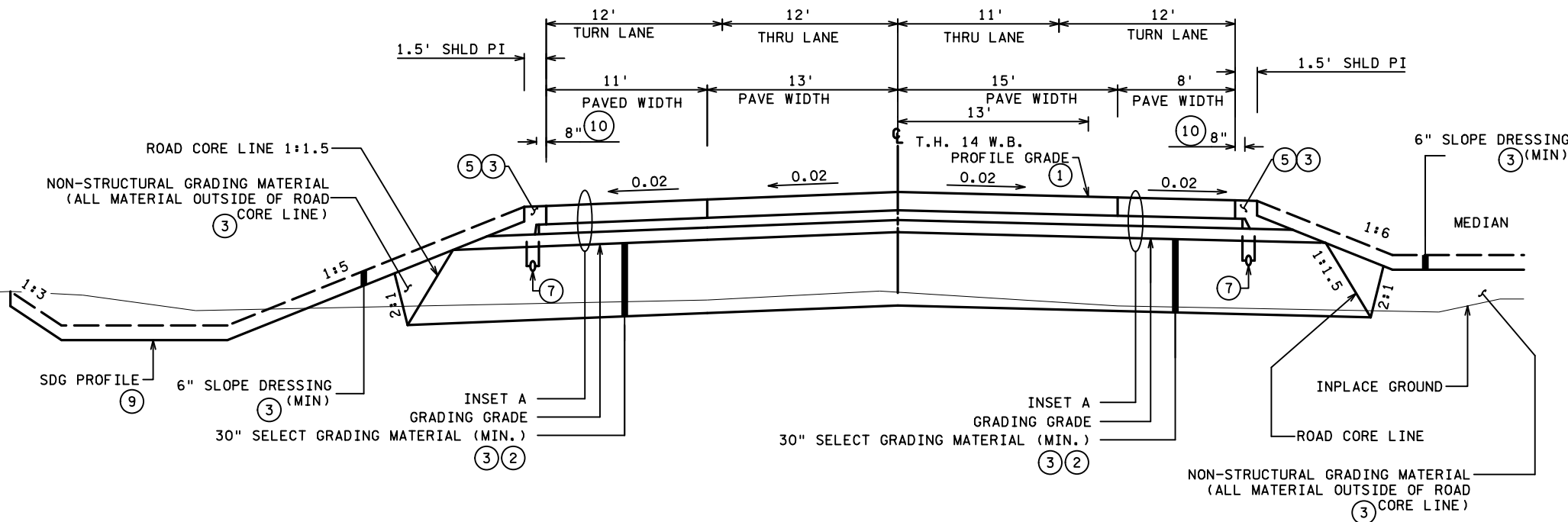
**RIGHT TURN LANE**

**GENERAL NOTES**

- A. ALL CROSS SLOPES ARE IN FT. PER FT.
- B. UNLESS OTHERWISE SPECIFIED, THE GRADING GRADE CROSS-SLOPES WILL BE THE SAME AS THE DRIVING SURFACE.
- C. SEE CONSTRUCTION PLANS FOR SUPER ELEVATION TRANSITION INFORMATION. MAXIMUM ROLLOVER ON SUPER ELEVATED CURVES IS 0.07.

**NOTES**

- ① ALIGNMENTS AND PROFILES GENERATED AT THIS LOCATION. FOR T.H.14 W.B. USE ALIGNMENT EPH14WBEOP WITH PROFILE PPH14WBEOP
- ② SUBCUT INCLUDED IN EXCAVATION - COMMON QUANTITY.
- ③ INCLUDED IN COMMON EMBANKMENT (CV) QUANTITY.
- ⑤ VAR. DEPTH SLOPE DRESSING W/ TURF ESTABLISHMENT
- ⑥ 4" SLOPE DRESSING W/ TURF ESTABLISHMENT
- ⑦ 4" PERFORATED PE PIPE DRAIN SUBSURFACE DRAINAGE SYSTEM - PERMEABLE AGGREGATE BASE TYPE SEE DETAIL ON SHEET 152.
- ⑧ WIDTH VARIES SEE CROSS-SECTIONS.
- ⑨ ELEVATION LABELED IN CROSS-SECTIONS
- ⑩ DIMENSION TOP OF DSB EXTENDED PAST EDGE OF CONCRETE. TRUNCATE EDGE OF DSB AT 1:1 DURING PLACEMENT.



CERTIFIED BY PRELIMINARY DESIGN PHASE PLAN  
 LICENSED PROFESSIONAL ENGINEER DATE 18-JAN-2021

TYPICAL SECTION  
 STATE PROJ. NO. 5202-58 (TH 14) SHEET NO. 46 OF 503 SHEETS

PLOTTED/REVISED: 18-JAN-2021

USER NAME: DISTRICT 7  
 PATH & FILENAME: Projects\DT\_MKOV014\5202\058\Design\Plan\Sheet\Typical\520258\_1s.dgn

PLOTTED/REVISED: 18-JAN-2021

USER NAME: DISTRICT 7  
PATH & FILENAME: Projects\DT\_MKOV\145202\058\Design\PlanSheets\Typical\520258\_1s.dgn

### T.H. 14 W.B. TYPICAL SECTION

STA 282+00 TO STA 307+00

#### INSET A

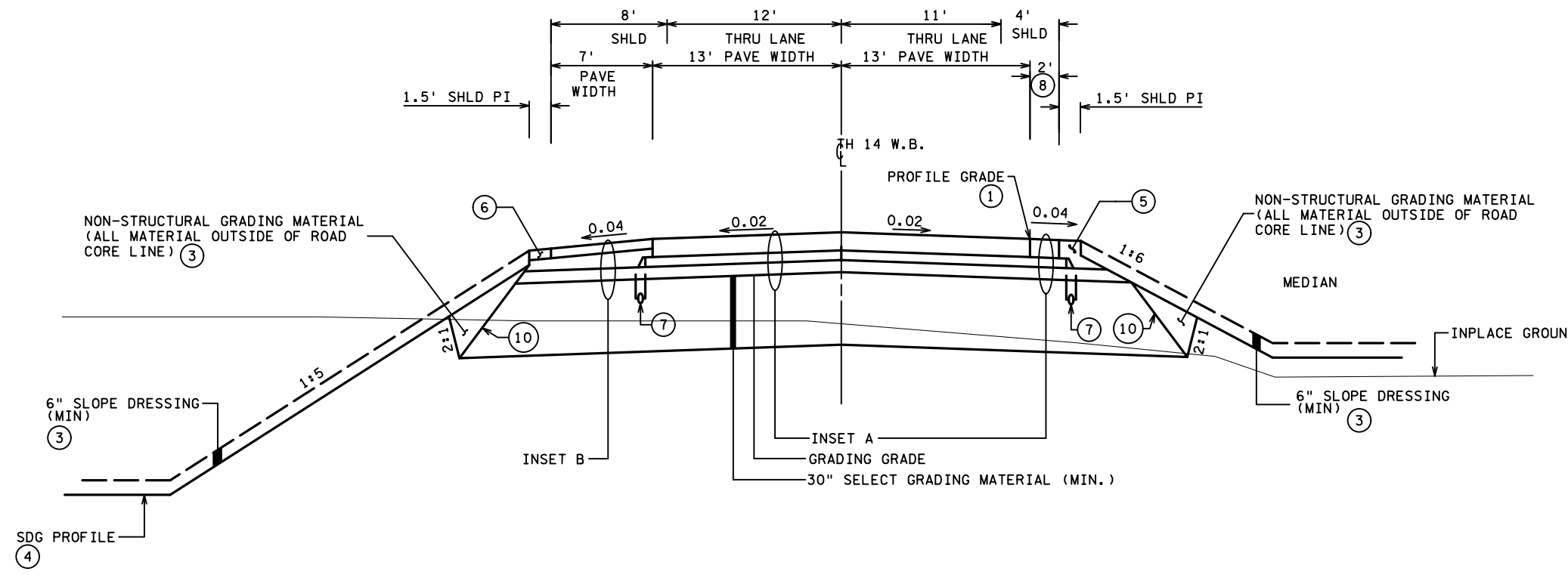


6" TYPE SP 12.5 WEARING COURSE MIXTURE (4,F) (SPWEB440F) (THREE EQUAL LIFTS) SPEC 2360  
12" AGGREGATE BASE (CV) CLASS 6, SPEC 2301  
GRADING GRADE

#### INSET B



4" TYPE SP 12.5 WEARING COURSE MIXTURE (3,C) (SPWEB330C) (TWO EQUAL LIFTS), SPEC 2360  
VARIABLE (14" MAX.) AGGREGATE BASE (CV) CLASS 6, SPEC 2301  
GRADING GRADE



#### RIGHT TURN LANE

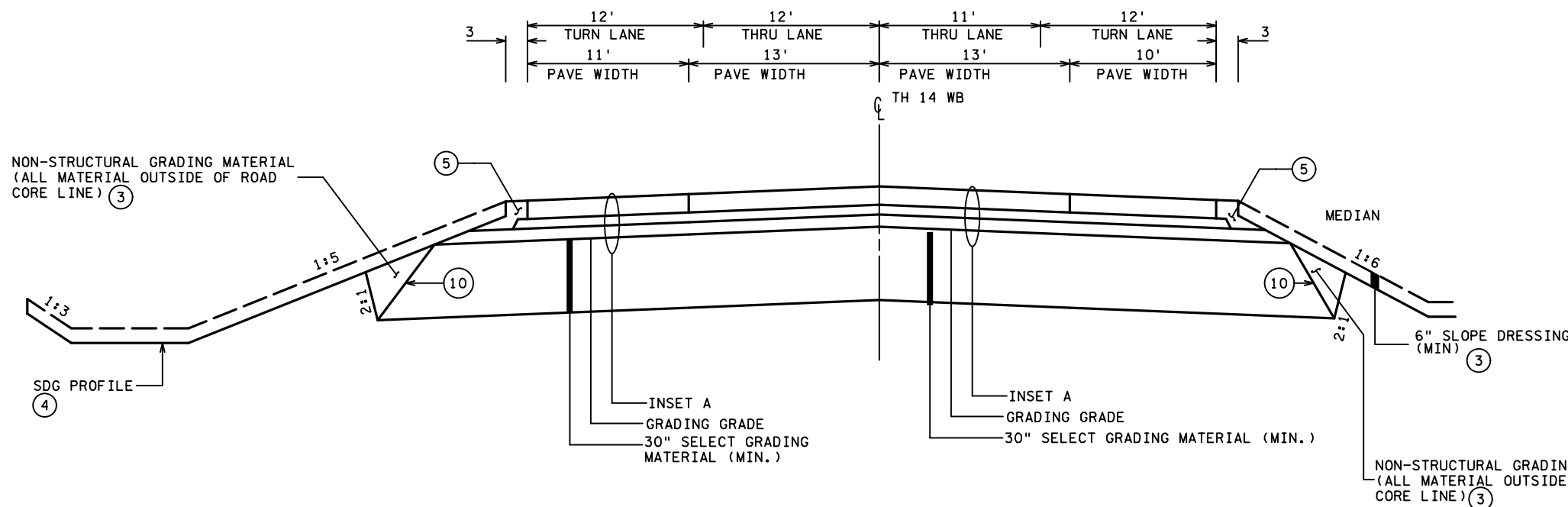
#### LEFT TURN LANE

#### GENERAL NOTES

- A. ALL CROSS SLOPES ARE IN FT. PER FT.
- B. UNLESS OTHERWISE SPECIFIED, THE GRADING GRADE CROSS-SLOPES WILL BE THE SAME AS THE DRIVING SURFACE.
- C. SEE CONSTRUCTION PLANS FOR SUPER ELEVATION TRANSITION INFORMATION. MAXIMUM ROLLOVER ON SUPER ELEVATED CURVES IS 0.07.

#### NOTES

- ① ALIGNMENTS AND PROFILES GENERATED AT THIS LOCATION. FOR T.H.14 W.B. USE ALIGNMENT EPH14WBEP WITH PROFILE PPH14WBEP
- ② SUBCUT INCLUDED IN EXCAVATION - COMMON QUANTITY.
- ③ INCLUDED IN COMMON EMBANKMENT (CV) QUANTITY.
- ④ ELEVATION LABELED IN CROSS-SECTIONS.
- ⑤ VAR. DEPTH SLOPE DRESSING W/ TURF ESTABLISHMENT
- ⑥ 4" SLOPE DRESSING W/ TURF ESTABLISHMENT
- ⑦ 4" PERFORATED PE PIPE DRAIN SUBSURFACE DRAINAGE SYSTEM - PERMEABLE AGGREGATE BASE TYPE SEE DETAIL ON SHEET 152.
- ⑧ PAVE WIDTH DIMENSION.
- ⑨ REMOVE CROWN SHOWN ON TYPICAL. SEE SUPERELEVATION SHEETS FOR CROSS-SLOPES.
- ⑩ ROAD CORE LINE 1:1.5



CERTIFIED BY PRELIMINARY DESIGN PHASE PLAN  
LICENSED PROFESSIONAL ENGINEER LIC NO. DATE 18-JAN-2021

TYPICAL SECTION  
STATE PROJ. NO. 5202-58 (TH 14) SHEET NO. 47 OF 503 SHEETS

PLOTTED/REVISED: 18-JAN-2021

USER NAME: DISTRICT 7  
PATH & FILENAME: Projects\DT\_MKO\0145202\058\Design\PlanSheets\Typical\520258\_1s.dgn

INSET AA



6" TYPE SP 12.5 WEARING COURSE MIXTURE (4,F)(SPWEB440F)(THREE EQUAL LIFTS) SPEC 2360  
12" AGGREGATE BASE (CV) CLASS 6, SPEC 2301  
GRADING GRADE

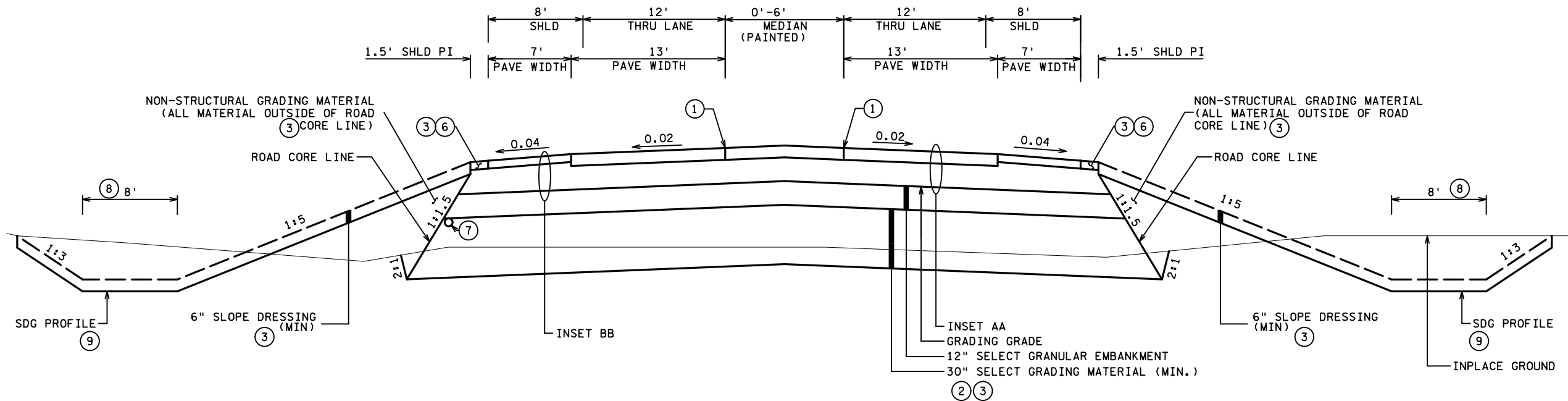
INSET BB



4" TYPE SP 12.5 WEARING COURSE MIXTURE (3,C)(SPWEB330C)(TWO EQUAL LIFTS), SPEC 2360  
VARIABLE (14" MAX.) AGGREGATE BASE (CV) CLASS 6, SPEC 2301  
GRADING GRADE

T.H. 14 E.B. TYPICAL SECTION

STA 100+88 TO STA 149+50



GENERAL NOTES

- A. ALL CROSS SLOPES ARE IN FT. PER FT.
- B. UNLESS OTHERWISE SPECIFIED, THE GRADING GRADE CROSS-SLOPES WILL BE THE SAME AS THE DRIVING SURFACE.
- C. SEE CONSTRUCTION PLANS FOR SUPERELEVATION TRANSITION INFORMATION. MAXIMUM ROLLOVER ON SUPERELEVATED CURVES IS 0.07.

NOTES

- ① ALIGNMENTS AND PROFILES GENERATED AT THIS LOCATION. FOR T.H.14 E.B. USE ALIGNMENT PPH14EB2 WITH PROFILE PPH14EB2
- ② SUBCUT INCLUDED IN EXCAVATION - COMMON QUANTITY.
- ③ INCLUDED IN COMMON EMBANKMENT (CV) QUANTITY.
- ⑥ 4" SLOPE DRESSING W/ TURF ESTABLISHMENT
- ⑦ 4" PERF TP PIPE DRAIN SEE STD PLAN 5-297.430
- ⑧ WIDTH VARIES SEE CROSS-SECTIONS.
- ⑨ ELEVATION LABELED IN CROSS-SECTIONS

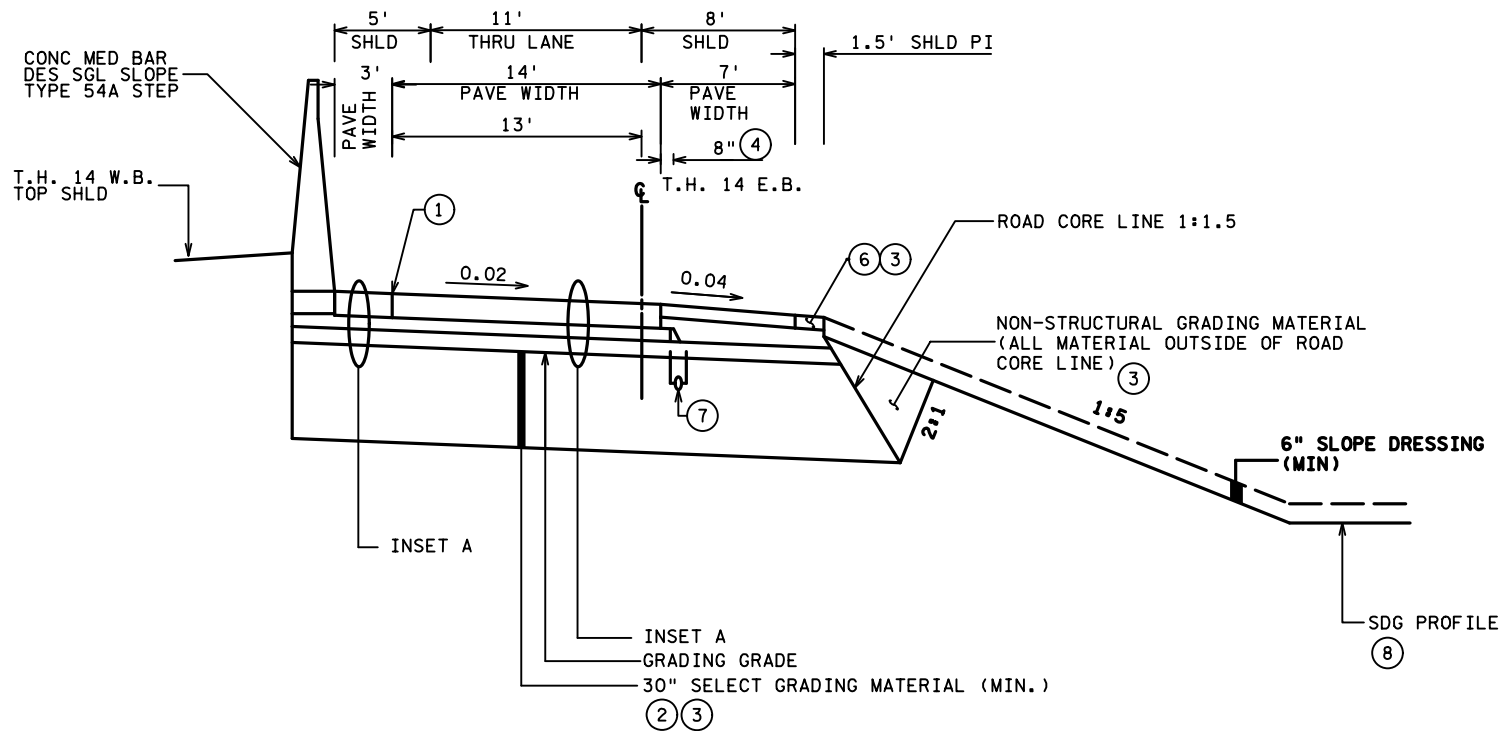
CERTIFIED BY PRELIMINARY DESIGN PHASE PLAN 18-JAN-2021  
LICENSED PROFESSIONAL ENGINEER LIC NO. DATE

TYPICAL SECTION

STATE PROJ. NO. 5202-58 (TH 14) SHEET NO. 48 OF 503 SHEETS

T.H. 14 E.B. TYPICAL SECTION

STA 149+50 TO STA 192+50



INSET A



- 7.5" NON-REINFORCED DOWELED CONCRETE (1.00" DOWELS) SPEC 2301
- 4" DRAINABLE AGGREGATE BASE, TYPE DSB SPEC 2212
- 5" AGGREGATE BASE (CV) CLASS 6, SPEC 2211
- GRADING GRADE

INSET B



- 4" TYPE SP 12.5 WEARING COURSE MIXTURE (3,C)(SPWEB330C)(TWO EQUAL LIFTS), SPEC 2360
- VARIABLE (7.5" MAX.) SHOULDER BASE AGGREGATE (CV) CLASS 6, SPEC 2221
- 5" AGGREGATE BASE (CV) CLASS 6, SPEC 2211
- GRADING GRADE

GENERAL NOTES

- A. ALL CROSS SLOPES ARE IN FT. PER FT.
- B. UNLESS OTHERWISE SPECIFIED, THE GRADING GRADE CROSS-SLOPES WILL BE THE SAME AS THE DRIVING SURFACE.
- C. SEE CONSTRUCTION PLANS FOR SUPER ELEVATION TRANSITION INFORMATION. MAXIMUM ROLLOVER ON SUPER ELEVATED CURVES IS 0.07.

NOTES

- ① ALIGNMENTS AND PROFILES GENERATED AT THIS LOCATION. FOR T.H.14 E.B. USE ALIGNMENT EPH14EBEOP WITH PROFILE PPH14EBEOP
- ② SUBCUT INCLUDED IN EXCAVATION - COMMON QUANTITY.
- ③ INCLUDED IN COMMON EMBANKMENT (CV) QUANTITY.
- ④ DIMENSION TOP OF DSB EXTENDED PAST EDGE OF CONCRETE. TRUNCATE EDGE OF DSB AT 1:1 DURING PLACEMENT.
- ⑤ 4" PERF TP PIPE DRAIN W/ SOCK PLACE MIN 2" FILTER AGGREGATE UNDER PIPE DRAIN.
- ⑥ 4" SLOPE DRESSING W/TURF ESTABLISHMENT
- ⑦ 4" PERFORATED PE PIPE DRAIN SUBSURFACE DRAINAGE SYSTEM - PERMEABLE AGGREGATE BASE TYPE SEE DETAIL ON SHEET 152 .
- ⑧ ELEVATION LABELED ON CROSS-SECTIONS

CERTIFIED BY PRELIMINARY DESIGN PHASE PLAN 18-JAN-2021  
 LICENSED PROFESSIONAL ENGINEER LIC NO. DATE

TYPICAL SECTION  
 STATE PROJ. NO. 5202-58 (TH 14) SHEET NO. 49 OF 503 SHEETS

PLOTTED/REVISED: 18-JAN-2021

USER NAME: DISTRICT 7  
 PATH & FILENAME: Projects\DT\_MKO\014\5202\058\Design\Plan\Sheet\Typical\520258\_1s.dgn



T.H. 14 E.B. TYPICAL SECTION

STA 192+50 TO STA 212+75

INSET A

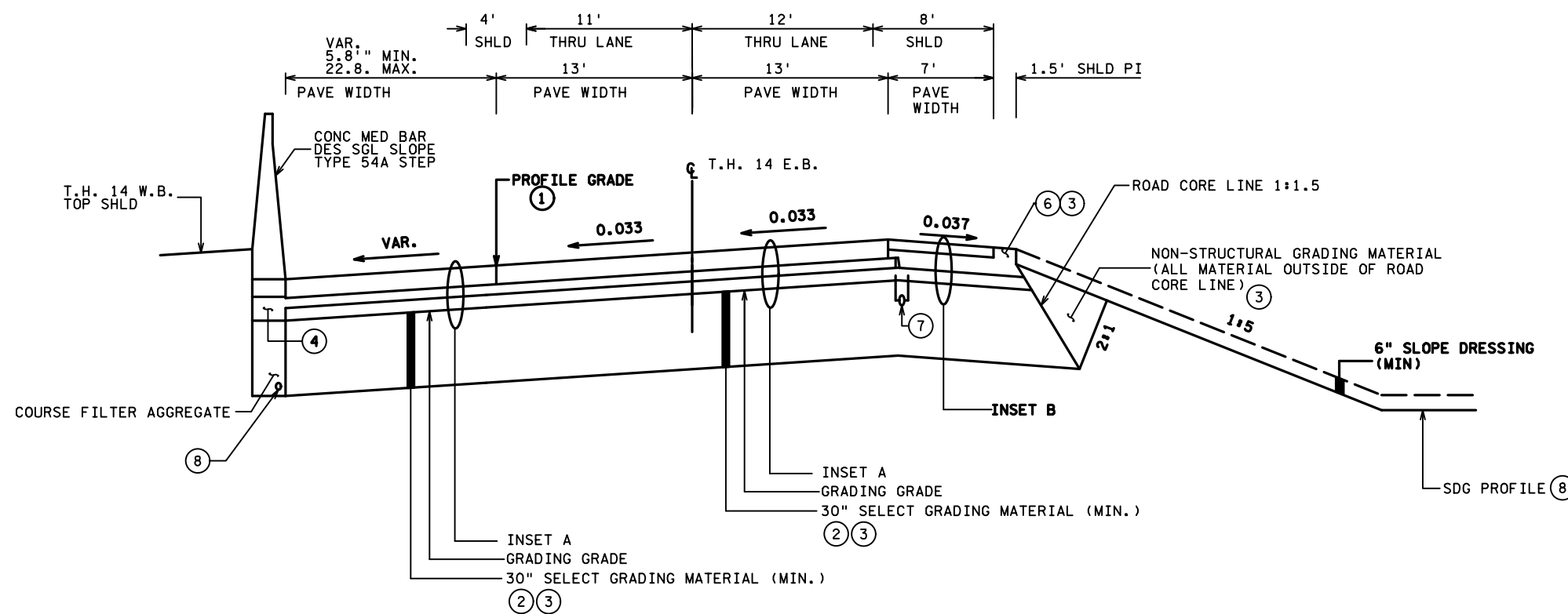


7.5" NON-REINFORCED DOWELED CONCRETE (1.00" DOWELS) SPEC 2301  
 4" DRAINABLE AGGREGATE BASE, TYPE DSB SPEC 2212  
 5" AGGREGATE BASE (CV) CLASS 6, SPEC 2211  
 GRADING GRADE

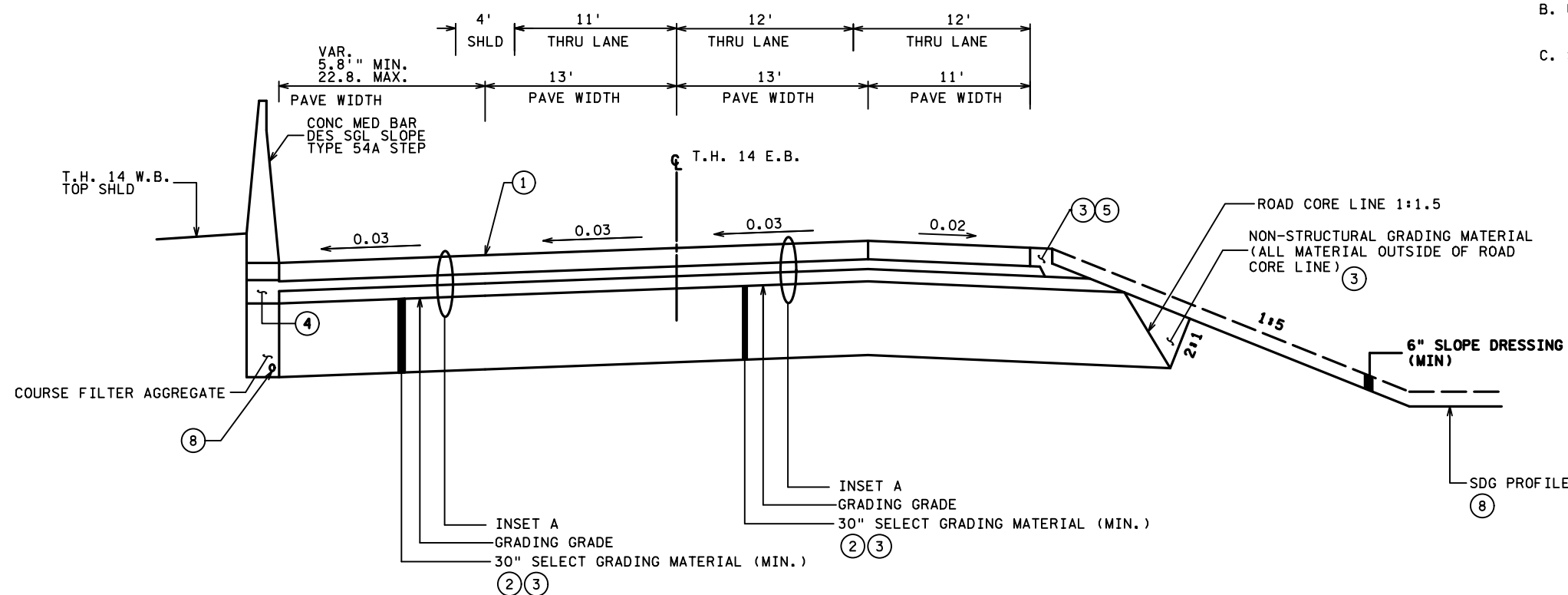
INSET B



4" TYPE SP 12.5 WEARING COURSE MIXTURE (3,C)(SPWEB330C)(TWO EQUAL LIFTS), SPEC 2360  
 VARIABLE (7.5" MAX.) SHOULDER BASE AGGREGATE (CV) CLASS 6, SPEC 2221  
 5" AGGREGATE BASE (CV) CLASS 6, SPEC 2211  
 GRADING GRADE



RIGHT TURN LANE



GENERAL NOTES

- A. ALL CROSS SLOPES ARE IN FT. PER FT.
- B. UNLESS OTHERWISE SPECIFIED, THE GRADING GRADE CROSS-SLOPES WILL BE THE SAME AS THE DRIVING SURFACE.
- C. SEE CONSTRUCTION PLANS FOR SUPER ELEVATION TRANSITION INFORMATION. MAXIMUM ROLLOVER ON SUPER ELEVATED CURVES IS 0.07.

NOTES

- ① ALIGNMENTS AND PROFILES GENERATED AT THIS LOCATION. FOR T.H.14 E.B. USE ALIGNMENT EPH14EBEOP WITH PROFILE PPH14EBEOP
- ② SUBCUT INCLUDED IN EXCAVATION - COMMON QUANTITY.
- ③ INCLUDED IN COMMON EMBANKMENT (CV) QUANTITY.
- ④ 4" DRAINABLE AGGREGATE BASE, TYPE DSB
- ⑤ VAR. DEPTH SLOPE DRESSING W/ TURF ESTABLISHMENT
- ⑥ 4" SLOPE DRESSING W/TURF ESTABLISHMENT
- ⑦ 4" PERFORATED PE PIPE DRAIN SUBSURFACE DRAINAGE SYSTEM - PERMEABLE AGGREGATE BASE TYPE SEE DETAIL ON SHEET 152 .
- ⑧ ELEVATION LABELED ON CROSS-SECTIONS

PLOTTED/REVISED: 18-JAN-2021

USER NAME: DISTRICT 7  
 PATH & FILENAME: Projects\DT\_MKOV014\5202\058\Design\Plan\Sheet\Typical\520258\_1s.dgn

CERTIFIED BY PRELIMINARY DESIGN PHASE PLAN  
 LICENSED PROFESSIONAL ENGINEER LIC NO. DATE 18-JAN-2021

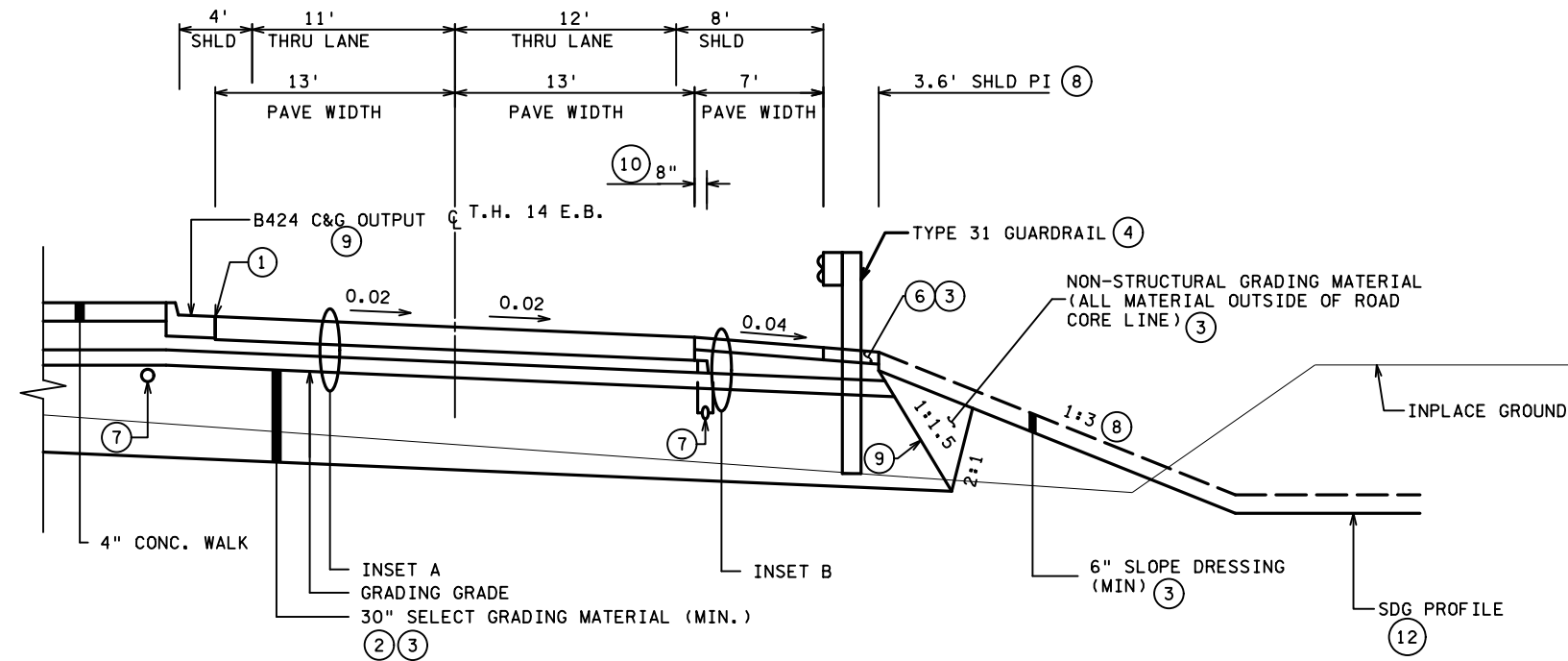
TYPICAL SECTION  
 STATE PROJ. NO. 5202-58 (TH 14) SHEET NO. 50 OF 503 SHEETS

PLOTTED/REVISED: 18-JAN-2021

USER NAME: DISTRICT 7  
PATH & FILENAME: Projects\DT\_MKOV014\5202\058\Design\Plan\Sheet\Typical\520258\_1s.dgn

### T.H. 14 E.B. TYPICAL SECTION

STA 212+75 TO STA 225+00  
STA 263+75 TO STA 281+75



#### INSET A



- 7.5" NON-REINFORCED DOWELED CONCRETE (1.00" DOWELS) SPEC 2301
- 4" DRAINABLE AGGREGATE BASE, TYPE DSB SPEC 2212
- 5" AGGREGATE BASE (CV) CLASS 6, SPEC 2211
- GRADING GRADE

#### INSET B



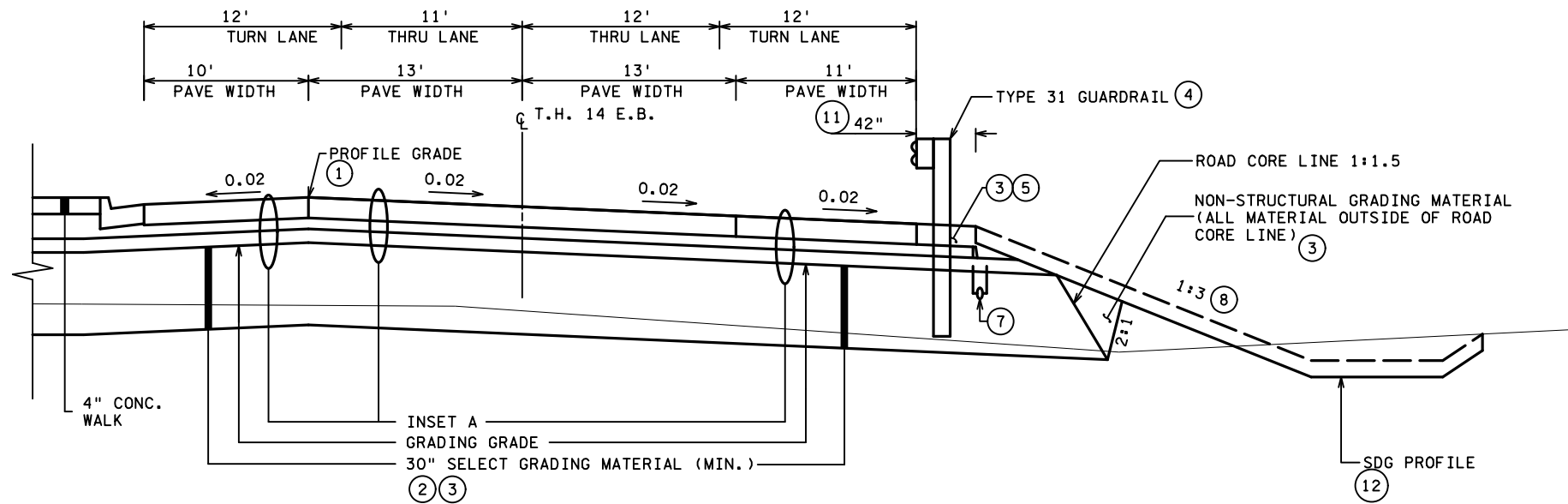
- 4" TYPE SP 12.5 WEARING COURSE MIXTURE (3,C)(SPWEB330C)(TWO EQUAL LIFTS), SPEC 2360
- VARIABLE (7.5" MAX.) SHOULDER BASE AGGREGATE (CV) CLASS 6, SPEC 2221
- 5" AGGREGATE BASE (CV) CLASS 6, SPEC 2211
- GRADING GRADE

#### GENERAL NOTES

- A. ALL CROSS SLOPES ARE IN FT. PER FT.
- B. UNLESS OTHERWISE SPECIFIED, THE GRADING GRADE CROSS-SLOPES WILL BE THE SAME AS THE DRIVING SURFACE.
- C. SEE CONSTRUCTION PLANS FOR SUPER ELEVATION TRANSITION INFORMATION. MAXIMUM ROLLOVER ON SUPER ELEVATED CURVES IS 0.07.

#### LEFT TURN LANE

#### RIGHT TURN LANE



#### NOTES

- ① ALIGNMENTS AND PROFILES GENERATED AT THIS LOCATION. FOR T.H.14 E.B. USE ALIGNMENT EPH14EBEOP WITH PROFILE PPH14EBEOP
  - ② SUBCUT INCLUDED IN EXCAVATION - COMMON QUANTITY.
  - ③ INCLUDED IN COMMON EMBANKMENT (CV) QUANTITY.
  - ④ GUARDRAIL STA ----- TO STA -----
  - ⑤ VAR. DEPTH SLOPE DRESSING W/ TURF ESTABLISHMENT
  - ⑥ 4" SLOPE DRESSING W/TURF ESTABLISHMENT
  - ⑦ 4" PERFORATED PE PIPE DRAIN SUBSURFACE DRAINAGE SYSTEM - PERMEABLE AGGREGATE BASE TYPE SEE DETAIL ON SHEET 152.
  - ⑧ SHOWN ON TYPICAL IS 1:3 INSLOPE WITH A 3.6' SHOULDER PI WIDTH. SEE TABLE BELOW FOR INSLOPE AND SHOULDER PI WIDTHS
- | STA    | TO | STA    | INSLOPE | SHLD PI WIDTH (FEET) |
|--------|----|--------|---------|----------------------|
| XXX+XX | TO | XXX+XX | 1:5     | 1.5                  |
| XXX+XX | TO | XXX+XX | 1:3     | 3.6                  |
| XXX+XX | TO | XXX+XX | 1:5     | 1.3                  |
- ⑨ ROAD CORE LINE
  - ⑩ DIMENSION TOP OF DSB EXTENDED PAST EDGE OF CONCRETE. TRUNCATE EDGE OF DSB AT 1:1 DURING PLACEMENT.
  - ⑪ DIMENSION TOP OF DSB EXTENDED PAST EDGE OF CONCRETE. DIMENSION SHALL BE 42" STA --- TO STA --- DIMENSION SHALL BE 8" STA --- TO STA --- TRUNCATE EDGE OF DSB AT 1:1 DURING PLACEMENT.
  - ⑫ ELEVATION LABELED IN CROSS-SECTIONS.

CERTIFIED BY \_\_\_\_\_ PRELIMINARY DESIGN PHASE PLAN \_\_\_\_\_ 18-JAN-2021  
LICENSED PROFESSIONAL ENGINEER \_\_\_\_\_ LIC NO. \_\_\_\_\_ DATE

TYPICAL SECTION  
STATE PROJ. NO. 5202-58 (TH 14) SHEET NO. 51 OF 503 SHEETS

PLOTTED/REVISED: 18-JAN-2021

USER NAME: DISTRICT 7  
PATH & FILENAME: Projects\DT\_MKO\014\5202\058\Design\PlanSheets\Typical\520258\_1s.dgn

### T.H. 14 E.B. TYPICAL SECTION

STA 225+00 TO STA 242+00

#### INSET A

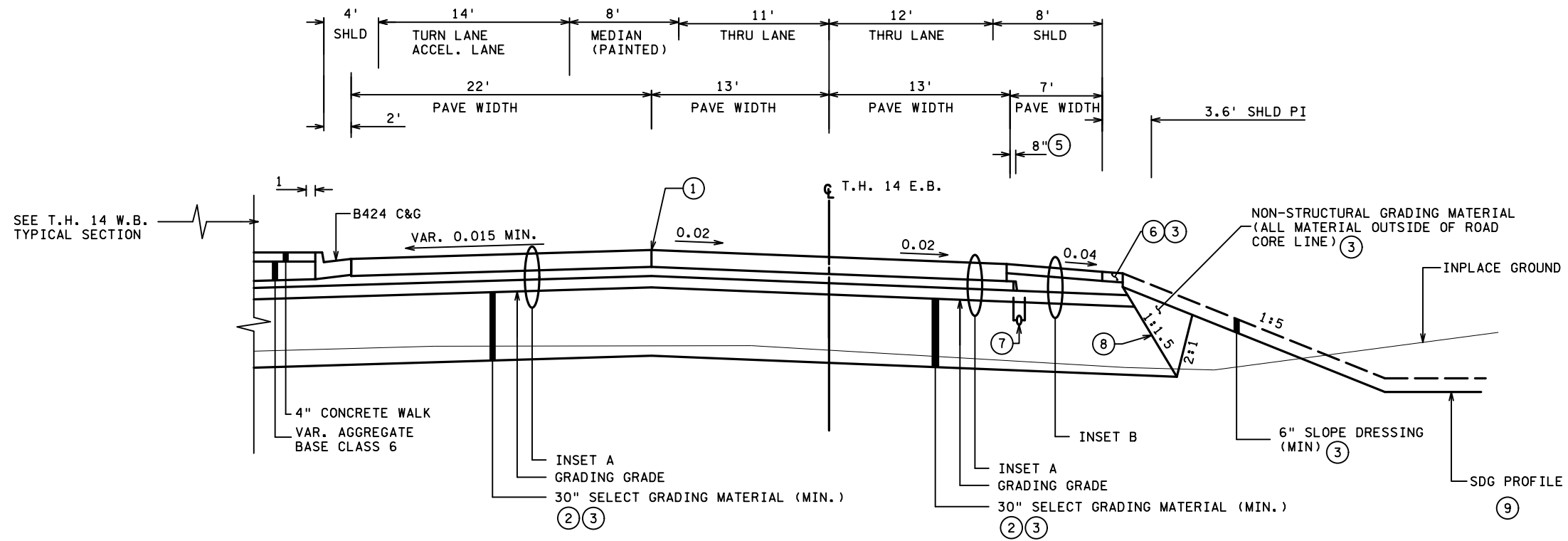


- 7.5" NON-REINFORCED DOWELED CONCRETE (1.00" DOWELS) SPEC 2301
- 4" DRAINABLE AGGREGATE BASE, TYPE DSB SPEC 2212
- 5" AGGREGATE BASE (CV) CLASS 6, SPEC 2211
- GRADING GRADE

#### INSET B



- 4" TYPE SP 12.5 WEARING COURSE MIXTURE (3,C)(SPWEB330C)(TWO EQUAL LIFTS), SPEC 2360
- VARIABLE (7.5" MAX.) SHOULDER BASE AGGREGATE (CV) CLASS 6, SPEC 2221
- 5" AGGREGATE BASE (CV) CLASS 6, SPEC 2211
- GRADING GRADE



- NOTES
- ① ALIGNMENTS AND PROFILES GENERATED AT THIS LOCATION. FOR T.H.14 E.B. USE ALIGNMENT EPH14EBEOP WITH PROFILE PPH14EBEOP.
  - ② SUBCUT INCLUDED IN EXCAVATION - COMMON QUANTITY.
  - ③ INCLUDED IN COMMON EMBANKMENT (CV) QUANTITY.
  - ⑤ DIMENSION TOP OF DSB EXTENDED PAST EDGE OF CONCRETE. TRUNCATE EDGE OF DSB AT 1:1 DURING PLACEMENT.
  - ⑥ 4" SLOPE DRESSING W/TURF ESTABLISHMENT
  - ⑦ 4" PERFORATED PE PIPE DRAIN SUBSURFACE DRAINAGE SYSTEM - PERMEABLE AGGREGATE BASE TYPE SEE DETAIL ON SHEET 152.
  - ⑧ ROAD CORE LINE
  - ⑨ ELEVATION LABELED IN CROSS-SECTIONS

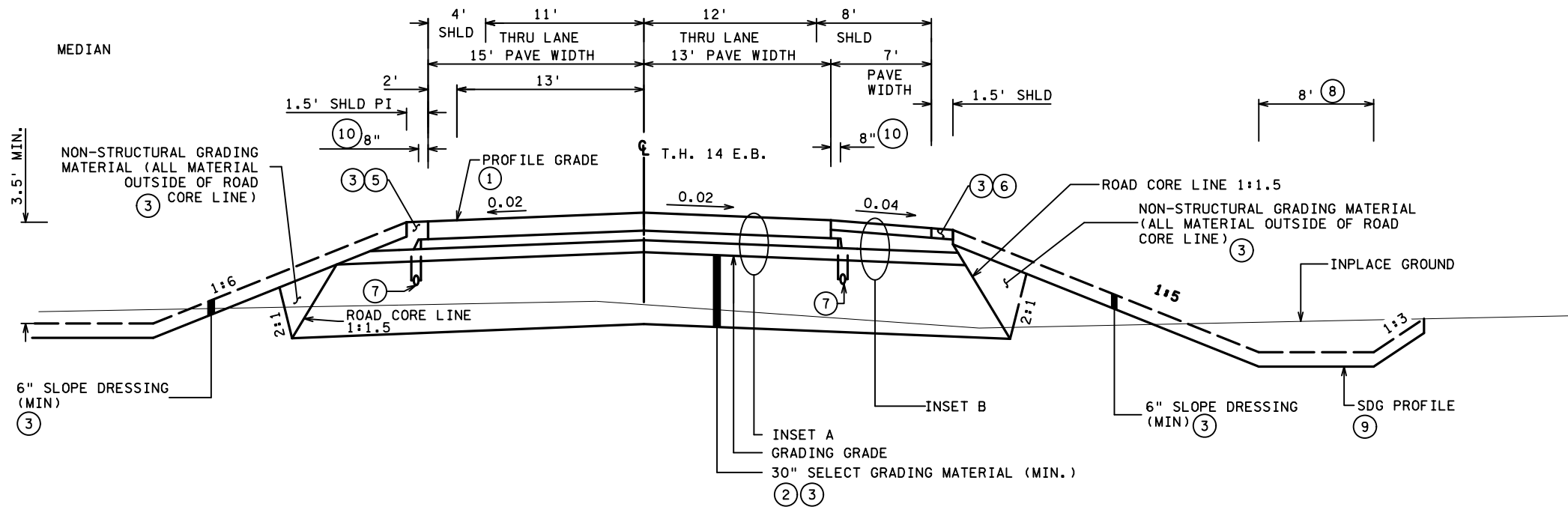
- GENERAL NOTES
- A. ALL CROSS SLOPES ARE IN FT. PER FT.
  - B. UNLESS OTHERWISE SPECIFIED, THE GRADING GRADE CROSS-SLOPES WILL BE THE SAME AS THE DRIVING SURFACE.
  - C. SEE CONSTRUCTION PLANS FOR SUPERELEVATION TRANSITION INFORMATION. MAXIMUM ROLLOVER ON SUPERELEVATED CURVES IS 0.07.

PLOTTED/REVISED: 18-JAN-2021

USER NAME: DISTRICT 7  
PATH & FILENAME: Projects\DT\_MKOV\45202\058\Design\PlanSheets\Typical\520258\_1s.dgn

### T.H. 14 E.B. TYPICAL SECTION

STA 281+75 TO STA 739+00



#### INSET A



- 7.5" NON-REINFORCED DOWELED CONCRETE (1.00" DOWELS) SPEC 2301
- 4" DRAINABLE AGGREGATE BASE, TYPE DSB SPEC 2212
- 5" AGGREGATE BASE (CV) CLASS 6, SPEC 2211
- GRADING GRADE

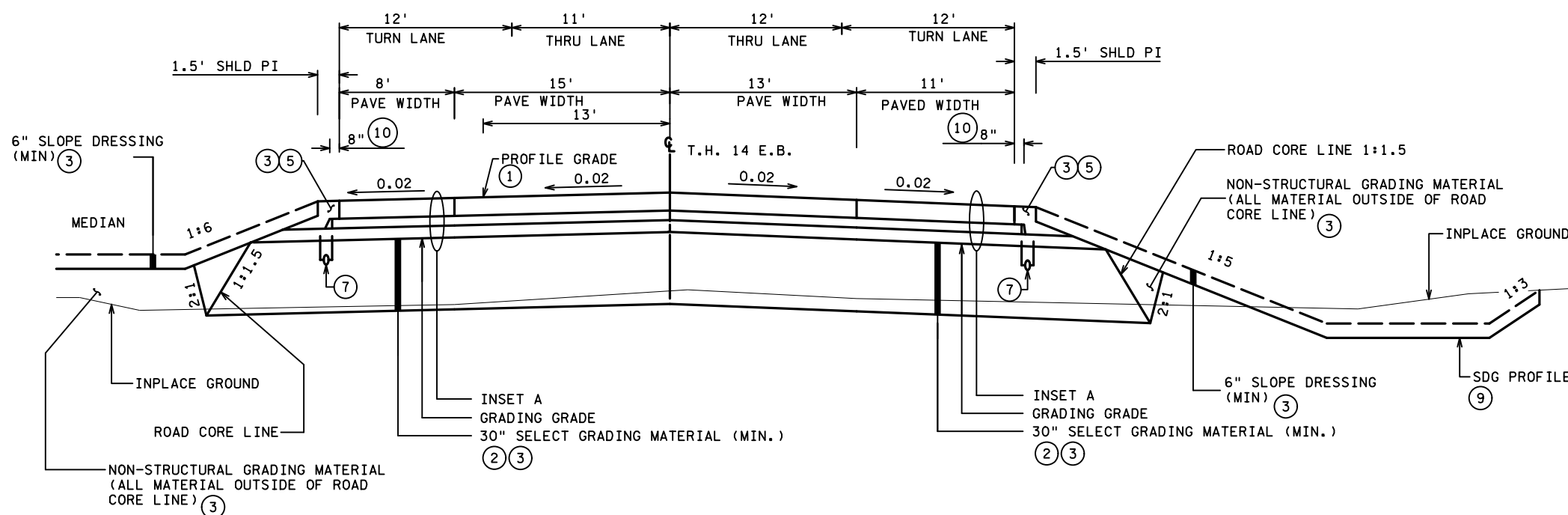
#### INSET B



- 4" TYPE SP 12.5 WEARING COURSE MIXTURE (3,C)(SPWEB330C)(TWO EQUAL LIFTS), SPEC 2360
- VARIABLE (7.5" MAX.) SHOULDER BASE AGGREGATE (CV) CLASS 6, SPEC 2221
- 5" AGGREGATE BASE (CV) CLASS 6, SPEC 2211
- GRADING GRADE

#### LEFT TURN LANE

#### RIGHT TURN LANE



#### GENERAL NOTES

- A. ALL CROSS SLOPES ARE IN FT. PER FT.
- B. UNLESS OTHERWISE SPECIFIED, THE GRADING GRADE CROSS-SLOPES WILL BE THE SAME AS THE DRIVING SURFACE.
- C. SEE CONSTRUCTION PLANS FOR SUPER ELEVATION TRANSITION INFORMATION. MAXIMUM ROLLOVER ON SUPER ELEVATED CURVES IS 0.07.

#### NOTES

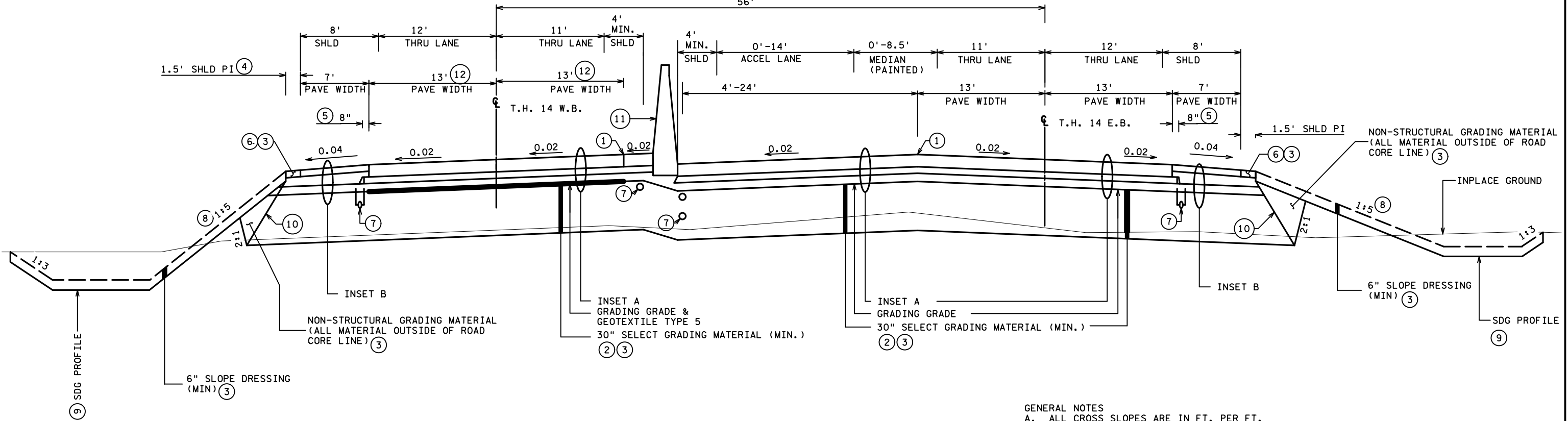
- ① ALIGNMENTS AND PROFILES GENERATED AT THIS LOCATION. FOR T.H.14 E.B. USE ALIGNMENT EPH14EBEOP WITH PROFILE PPH14EBEOP
- ② SUBCUT INCLUDED IN EXCAVATION - COMMON QUANTITY.
- ③ INCLUDED IN COMMON EMBANKMENT (CV) QUANTITY.
- ⑤ VAR. DEPTH SLOPE DRESSING W/ TURF ESTABLISHMENT
- ⑥ 4" SLOPE DRESSING W/TURF ESTABLISHMENT
- ⑦ 4" PERFORATED PE PIPE DRAIN SUBSURFACE DRAINAGE SYSTEM - PERMEABLE AGGREGATE BASE TYPE SEE DETAIL ON SHEET 152.
- ⑧ WIDTH VARIES SEE CROSS-SECTIONS.
- ⑨ ELEVATION LABELED IN CROSS-SECTIONS
- ⑩ DIMENSION TOP OF DSB EXTENDED PAST EDGE OF CONCRETE. TRUNCATE EDGE OF DSB AT 1:1 DURING PLACEMENT.

CERTIFIED BY PRELIMINARY DESIGN PHASE PLAN  
 LICENSED PROFESSIONAL ENGINEER LIC NO. DATE 18-JAN-2021

TYPICAL SECTION  
 STATE PROJ. NO. 5202-58 (TH 14) SHEET NO. 54 OF 503 SHEETS

T.H. 14 E.B. TYPICAL SECTION

STA 242+00 TO STA 263+75  
56'



GENERAL NOTES

- A. ALL CROSS SLOPES ARE IN FT. PER FT.
- B. UNLESS OTHERWISE SPECIFIED, THE GRADING GRADE CROSS-SLOPES WILL BE THE SAME AS THE DRIVING SURFACE.
- C. SEE CONSTRUCTION PLANS FOR SUPERELEVATION TRANSITION INFORMATION. MAXIMUM ROLLOVER ON SUPERELEVATED CURVES IS 0.07.

NOTES

- ① ALIGNMENTS AND PROFILES GENERATED AT THIS LOCATION. FOR T.H.14 E.B. USE ALIGNMENT EPH14EBEOP WITH PROFILE PPH14EBEOP. FOR T.H.14 W.B. USE ALIGNMENT EPH14WBEOP WITH PROFILE PPH14WBEOP.
- ② SUBCUT INCLUDED IN EXCAVATION - COMMON QUANTITY.
- ③ INCLUDED IN COMMON EMBANKMENT (CV) QUANTITY.
- ④ SHLD PI WIDTH 3.6' T.H. 14 W.B. STA ----- TO STA-----
- ⑤ DIMENSION TOP OF DSB EXTENDED PAST EDGE OF CONCRETE. TRUNCATE EDGE OF DSB AT 1:1 DURING PLACEMENT.
- ⑥ 4" SLOPE DRESSING W/TURF ESTABLISHMENT
- ⑦ 4" PERFORATED PE PIPE DRAIN SUBSURFACE DRAINAGE SYSTEM - PERMEABLE AGGREGATE BASE TYPE SEE DETAIL ON SHEET 152 .
- ⑧ SLOPES VARY. SEE CROSS-SECTIONS.
- ⑨ ELEVATION LABELED IN CROSS-SECTIONS
- ⑩ ROAD CORE LINE 1:1.5
- ⑪ T.H. 14 W.B. STA \*\*\* TO \*\*CONC MED BAR DES SINGLE SLOPE TYPE 54A STEP
- ⑫ GEOTEXTILE WIDTH

INSET A



- 7.5" NON-REINFORCED DOWELED CONCRETE (1.00" DOWELS) SPEC 2301
- 4" DRAINABLE AGGREGATE BASE, TYPE DSB SPEC 2212
- 5" AGGREGATE BASE (CV) CLASS 6, SPEC 2211
- GRADING GRADE

INSET B



- 4" TYPE SP 12.5 WEARING COURSE MIXTURE (3,C)(SPWEB330C)(TWO EQUAL LIFTS), SPEC 2360
- VARIABLE (7.5" MAX.) SHOULDER BASE AGGREGATE (CV) CLASS 6, SPEC 2221
- 5" AGGREGATE BASE (CV) CLASS 6, SPEC 2211
- GRADING GRADE

PLOTTED/REVISED: 18-JAN-2021

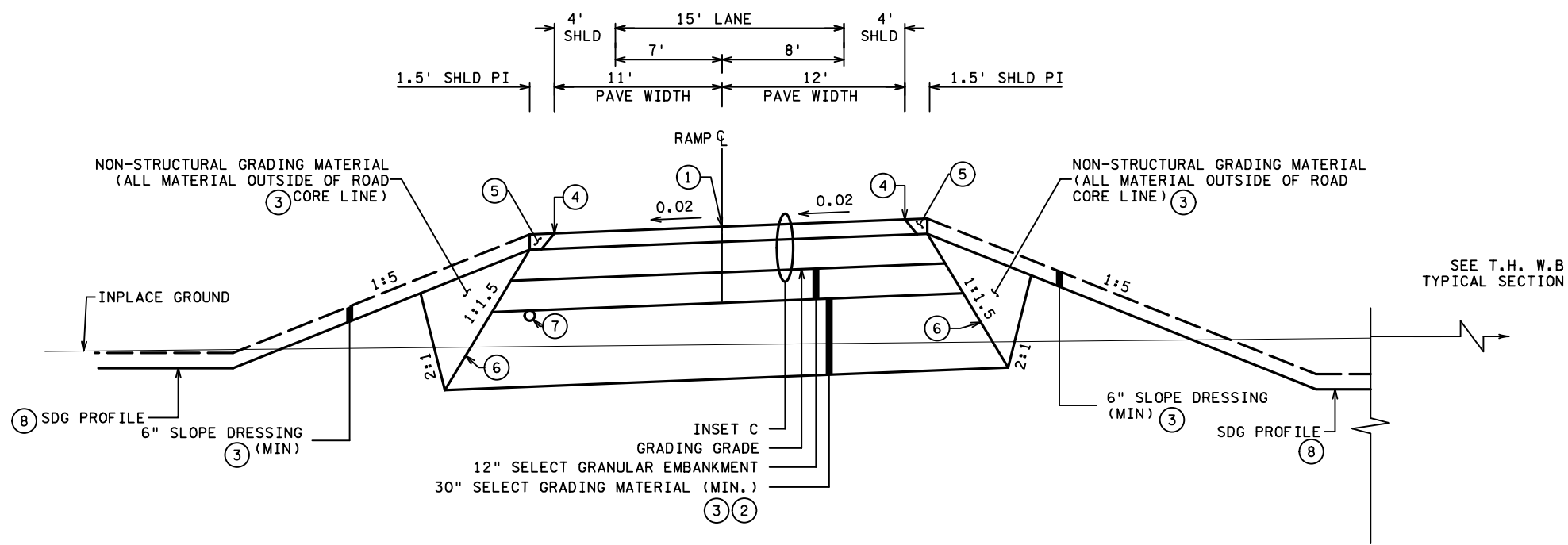
USER NAME: DISTRICT 7  
PATH & FILENAME: Projects\DT\_MKOV014\5202\058\Design\PlanSheets\Typical\520258\_1s.dgn

CERTIFIED BY PRELIMINARY DESIGN PHASE PLAN  
18-JAN-2021  
LICENSED PROFESSIONAL ENGINEER L.I.C. NO. DATE

TYPICAL SECTION  
STATE PROJ. NO. 5202-58 (TH 14) SHEET NO. 53 OF 503 SHEETS

**RAMP TYPICAL SECTION**

RAMP A, B, E, F



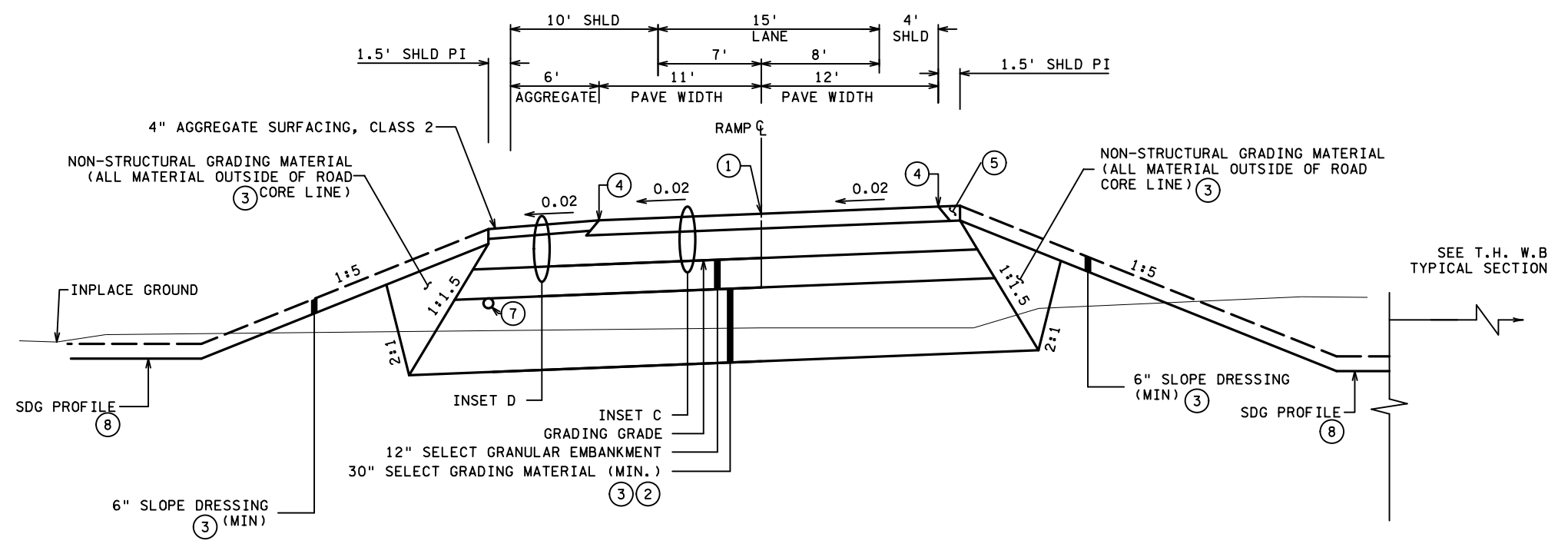
**INSET C**



6" TYPE SP 12.5 WEARING COURSE MIXTURE (4,F)(SPWEB440F)(THREE EQUAL LIFTS) SPEC 2360  
 12" AGGREGATE BASE (CV) CLASS 6, SPEC 2301  
 GRADING GRADE

**WIDE SHOULDER TYPICAL SECTION**

(FOR TRUCK PARKING ON ENTRANCE RAMPS)  
 RAMP A & E 300' LONG



**INSET D**



4" AGGREGATE SURFACING CLASS 2, SPEC 2118  
 VARIABLE (14" MAX.) AGGREGATE BASE (CV) CLASS 6, SPEC 2301  
 GRADING GRADE

**GENERAL NOTES**

- A. ALL CROSS SLOPES ARE IN FT. PER FT.
- B. UNLESS OTHERWISE SPECIFIED, THE GRADING GRADE CROSS-SLOPES WILL BE THE SAME AS THE DRIVING SURFACE.
- C. SEE CONSTRUCTION PLANS FOR SUPERELEVATION TRANSITION INFORMATION. MAXIMUM ROLLOVER ON SUPERELEVATED CURVES IS 0.07.

**NOTES**

- ① PROFILE GRADE THIS LOCATION.
- ② SUBCUT INCLUDED IN EXCAVATION - COMMON QUANTITY.
- ③ INCLUDED IN COMMON EMBANKMENT (CV) QUANTITY.
- ④ SEE SAFETY EDGE DETAIL ON SHEET \$BBBBB\$
- ⑤ 6" AGGREGATE SURFACING, CLASS 2
- ⑥ ROAD CORE LINE
- ⑦ 4" PERF TP PIPE DRAIN SEE STD PLAN 5-297.430
- ⑧ ELEVATION LABELED IN CROSS-SECTIONS

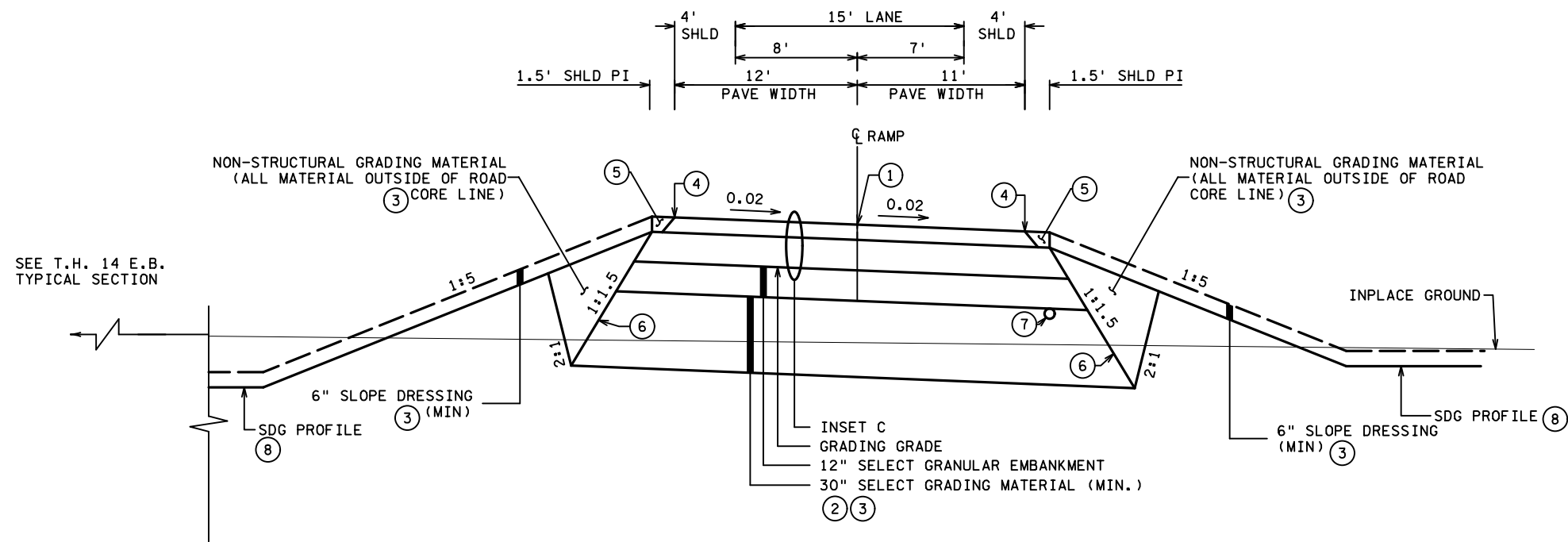
CERTIFIED BY PRELIMINARY DESIGN PHASE PLAN 18-JAN-2021  
 LICENSED PROFESSIONAL ENGINEER LIC NO. DATE

TYPICAL SECTION  
 STATE PROJ. NO. 5202-58 (TH 14) SHEET NO. 55 OF 503 SHEETS

USER NAME: DISTRICT 7  
 PATH & FILENAME: Projects\DT\_MKO\0145202\058\Design\PlanSheets\Typical\520258\_1s.dgn  
 PLOTTED/REVISED: 18-JAN-2021

**RAMP TYPICAL SECTION**

RAMP C, D, G, H SHOWN



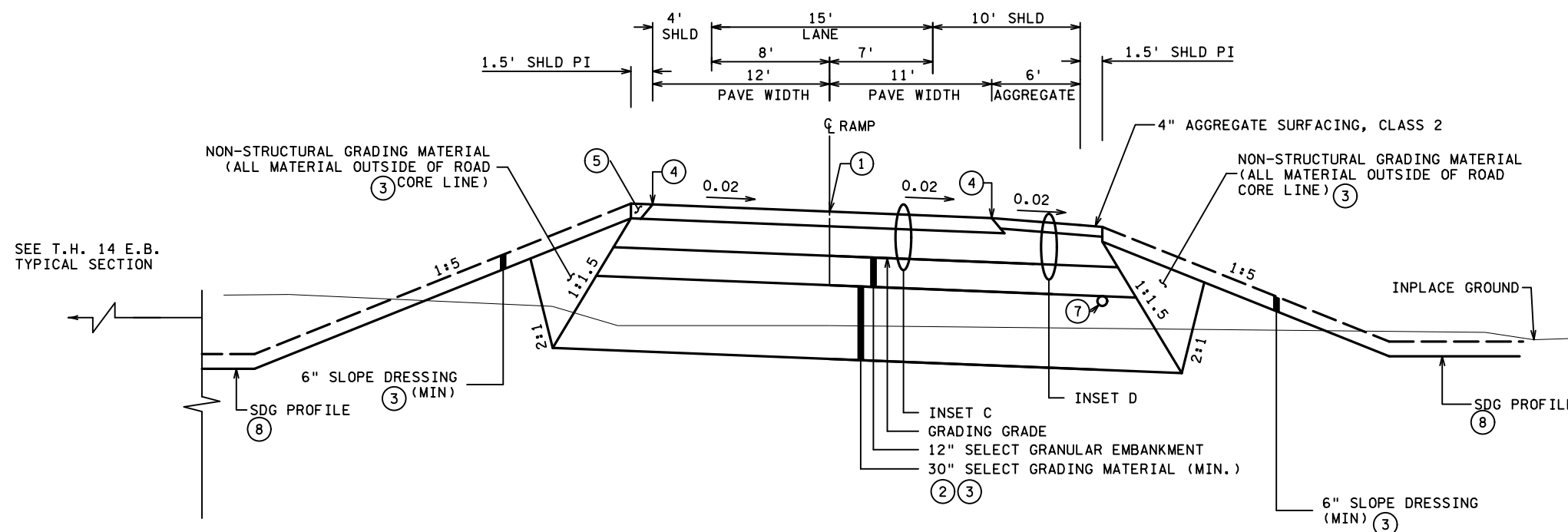
**INSET C**



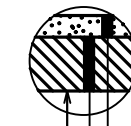
6" TYPE SP 12.5 WEARING COURSE MIXTURE (4, F) (SPWEB440F) (THREE EQUAL LIFTS) SPEC 2360  
12" AGGREGATE BASE (CV) CLASS 6, SPEC 2301  
GRADING GRADE

**WIDE SHOULDER**

(FOR TRUCK PARKING ON ENTRANCE RAMPS)  
300' LONG  
RAMP D & H SHOWN



**INSET D**



4" AGGREGATE SURFACING CLASS 2, SPEC 2118  
VARIABLE (14" MAX.) AGGREGATE BASE (CV) CLASS 6, SPEC 2301  
GRADING GRADE

**GENERAL NOTES**

- A. ALL CROSS SLOPES ARE IN FT. PER FT.
- B. UNLESS OTHERWISE SPECIFIED, THE GRADING GRADE CROSS-SLOPES WILL BE THE SAME AS THE DRIVING SURFACE.
- C. SEE CONSTRUCTION PLANS FOR SUPERELEVATION TRANSITION INFORMATION. MAXIMUM ROLLOVER ON SUPERELEVATED CURVES IS 0.07.

**NOTES**

- (1) PROFILE GRADE THIS LOCATION.
- (2) SUBCUT INCLUDED IN EXCAVATION - COMMON QUANTITY.
- (3) INCLUDED IN COMMON EMBANKMENT (CV) QUANTITY.
- (4) SEE SAFETY EDGE DETAIL ON SHEET #BBBBB\*
- (5) 6" AGGREGATE SURFACING, CLASS 2
- (6) ROAD CORE LINE
- (7) 4" PERF TP PIPE DRAIN SEE STD PLAN 5-297.430
- (8) ELEVATION LABELED IN CROSS-SECTIONS

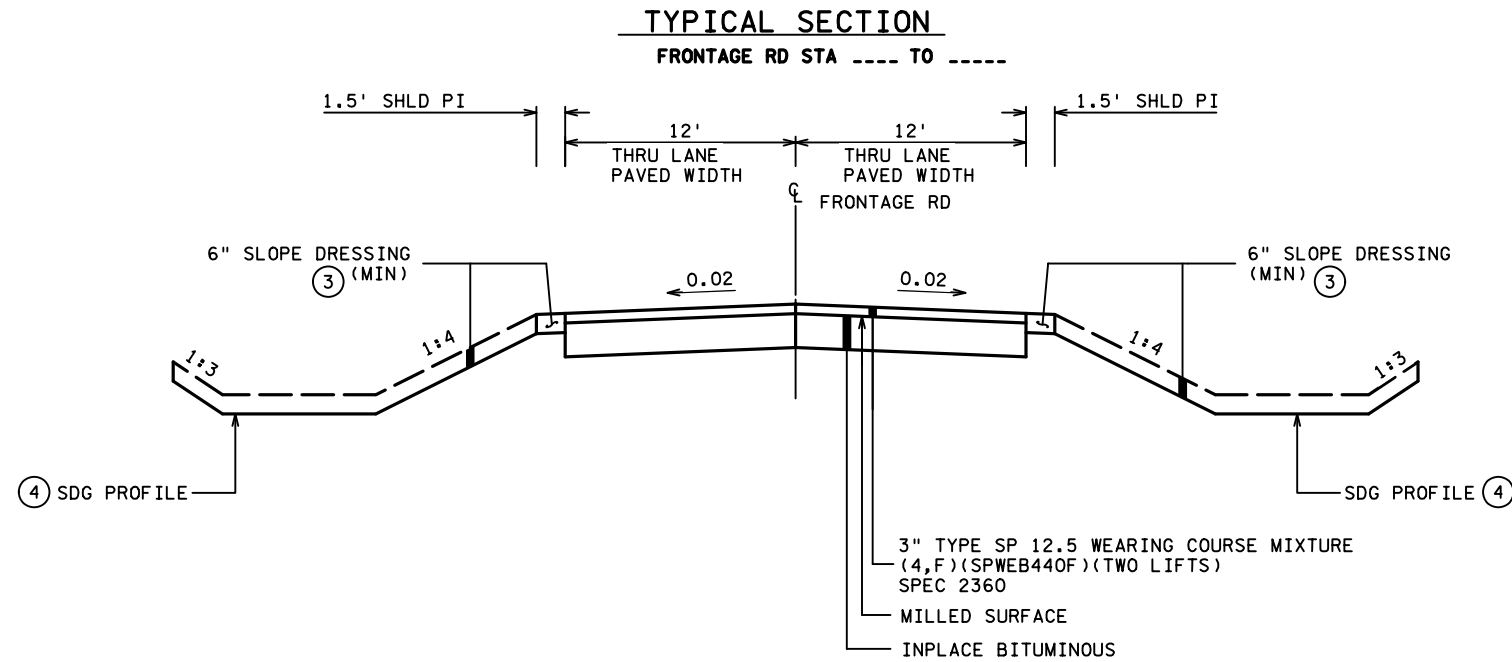
CERTIFIED BY PRELIMINARY DESIGN PHASE PLAN  
LICENSED PROFESSIONAL ENGINEER LIC NO. DATE 18-JAN-2021

TYPICAL SECTION  
STATE PROJ. NO. 5202-58 (TH 14) SHEET NO. 57 OF 503 SHEETS

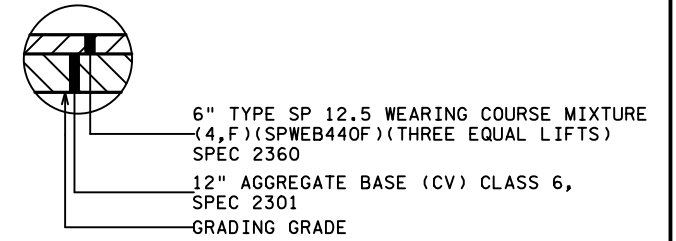
USER NAME: DISTRICT 7  
PATH & FILENAME: Projects\DT\_MKOV0145202\058\Design\PlanSheets\Typical\520258\_1s.dgn  
PLOTTED/REVISED: 18-JAN-2021

PLOTTED/REVISED: 18-JAN-2021

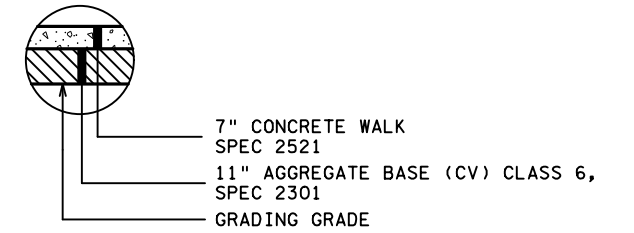
USER NAME: DISTRICT 7  
 PATH & FILENAME: Projects\DT\_MKO\014\5202\058\Design\PlanSheets\Typical\520258\_1s.dgn



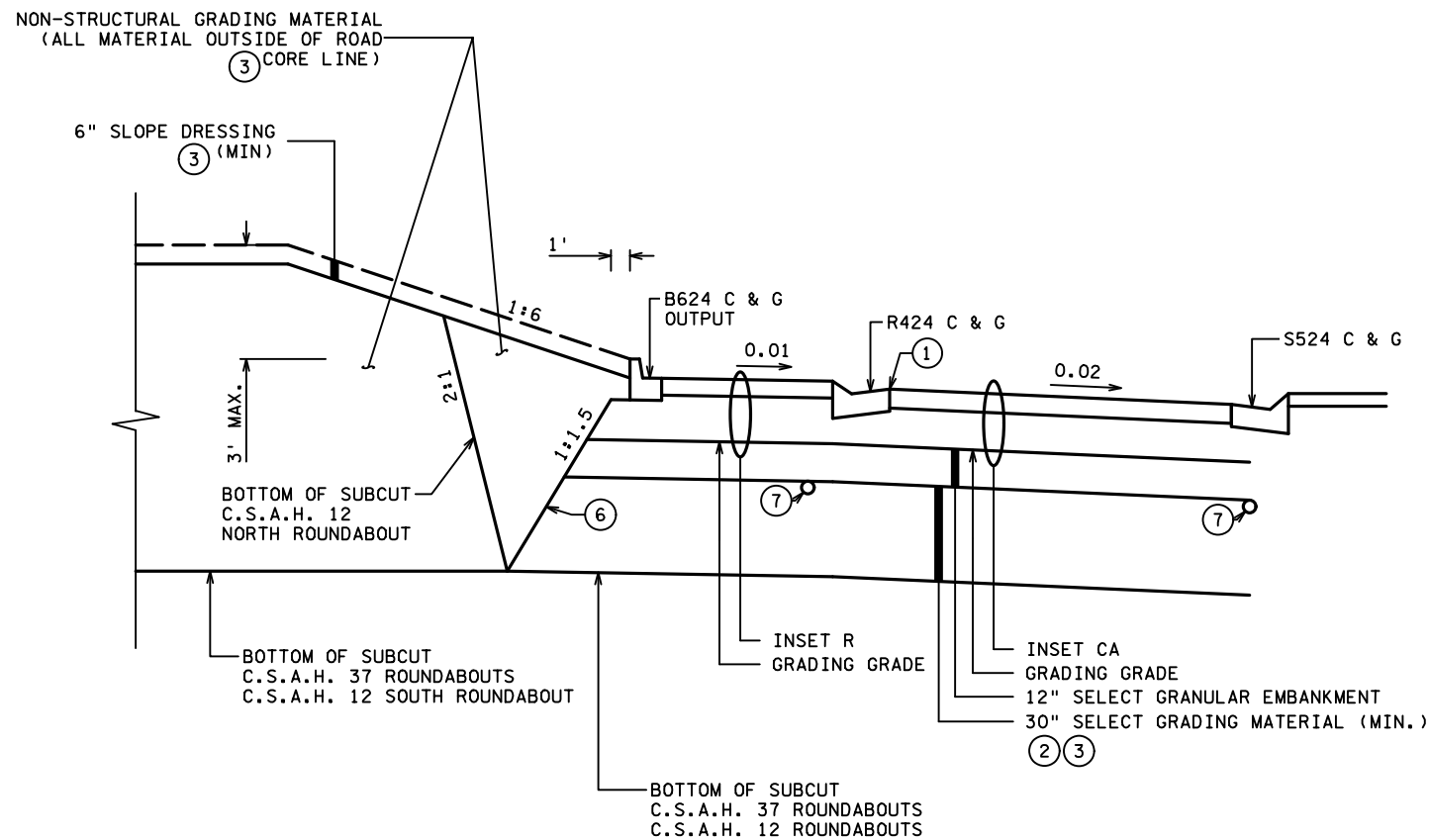
#### INSET CA



#### INSET R



### ROUNDAABOUT TYPICAL SECTION



#### GENERAL NOTES

- A. ALL CROSS SLOPES ARE IN FT. PER FT.
- B. UNLESS OTHERWISE SPECIFIED, THE GRADING GRADE CROSS-SLOPES WILL BE THE SAME AS THE DRIVING SURFACE.
- C. SEE CONSTRUCTION PLANS FOR SUPER ELEVATION TRANSITION INFORMATION. MAXIMUM ROLLOVER ON SUPER ELEVATED CURVES IS 0.07.

#### NOTES

- (1) PROFILE GRADE THIS LOCATION.
- (2) SUBCUT INCLUDED IN EXCAVATION - COMMON QUANTITY.
- (3) INCLUDED IN COMMON EMBANKMENT (CV) QUANTITY.
- (4) ELEVATION LABELED IN CROSS-SECTIONS.
- (6) ROAD CORE LINE
- (7) 4" PERF TP PIPE DRAIN SEE STD PLAN 5-297.430

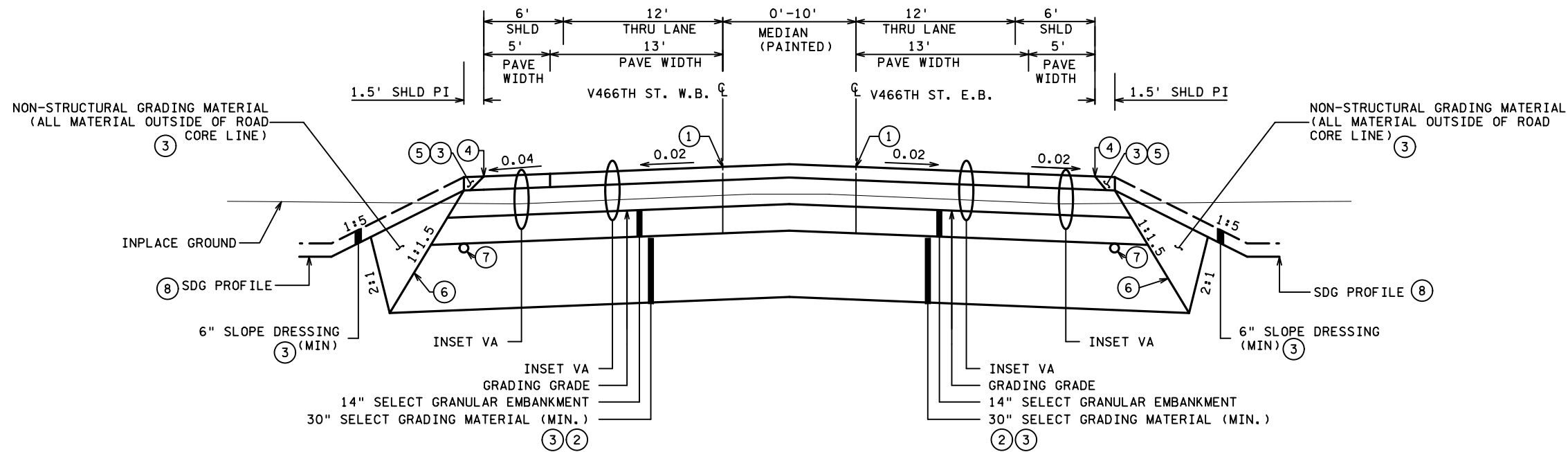
CERTIFIED BY PRELIMINARY DESIGN PHASE PLAN 18-JAN-2021  
 LICENSED PROFESSIONAL ENGINEER LIC NO. DATE

TYPICAL SECTION  
 STATE PROJ. NO. 5202-58 (TH 14) SHEET NO. 58 OF 503 SHEETS



V466TH ST. TYPICAL SECTION

STA 201+81 TO STA 202+31



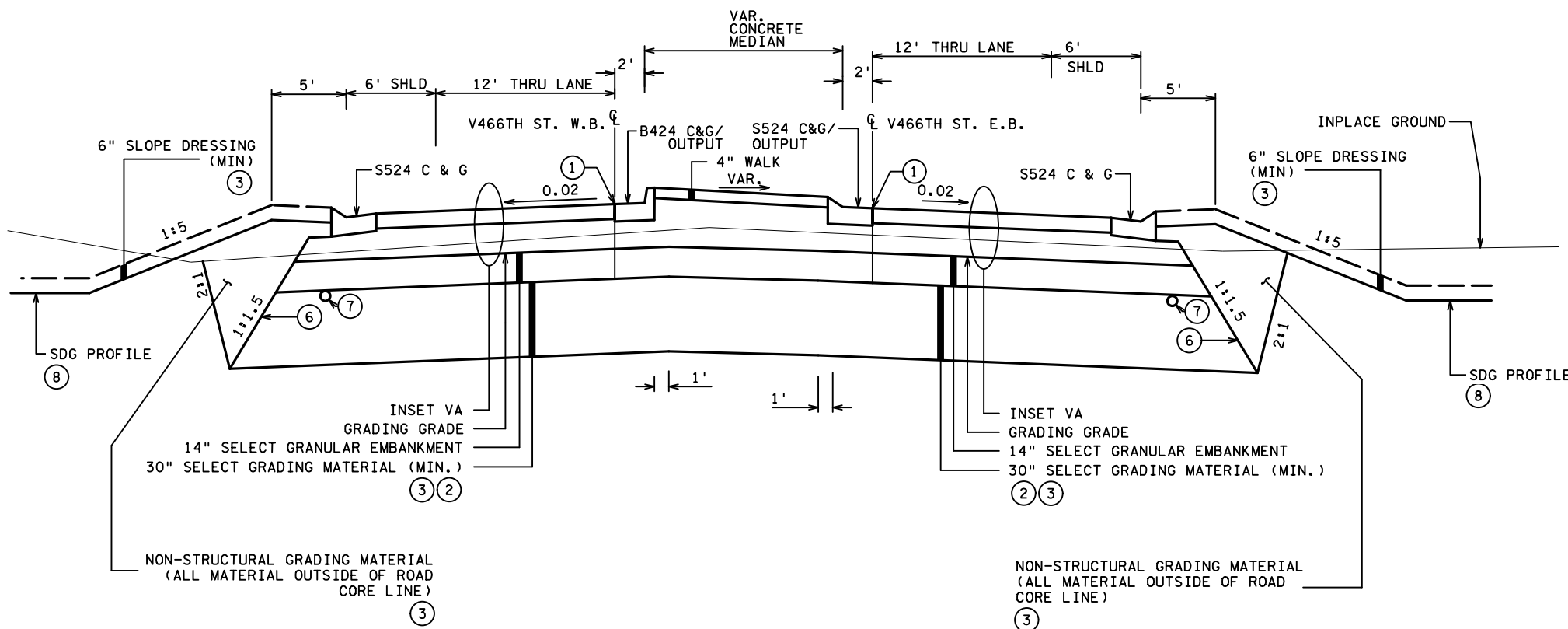
INSET VA



4" TYPE SP 12.5 WEARING COURSE MIXTURE (4,F)(SPWEB440F)(TWO EQUAL LIFTS) SPEC 2360  
12" AGGREGATE BASE (CV) CLASS 6, SPEC 2301  
GRADING GRADE

V466TH ST. TYPICAL SECTION

STA 200+00 TO 201+81



GENERAL NOTES

- A. ALL CROSS SLOPES ARE IN FT. PER FT.
- B. UNLESS OTHERWISE SPECIFIED, THE GRADING GRADE CROSS-SLOPES WILL BE THE SAME AS THE DRIVING SURFACE.
- C. SEE CONSTRUCTION PLANS FOR SUPERELEVATION TRANSITION INFORMATION. MAXIMUM ROLLOVER ON SUPERELEVATED CURVES IS 0.07.

NOTES

- ① PROFILE GRADE THIS LOCATION.
- ② SUBCUT INCLUDED IN EXCAVATION - COMMON QUANTITY.
- ③ INCLUDED IN COMMON EMBANKMENT (CV) QUANTITY.
- ④ SEE SAFETY EDGE DETAIL ON SHEET \$BBBBB\$
- ⑤ 4" SLOPE DRESSING W/ TURF ESTABLISHMENT
- ⑥ ROAD CORE LINE
- ⑦ 4" PERF TP DRAIN TO BE PLACED SO THAT THE TOP OF THE PIPE IS AT BOTTOM OF SELECT GRANULAR MATERIAL. SEE SHEET \$\$\$ FOR DETAIL.
- ⑧ ELEVATION LABELED IN CROSS-SECTIONS

PLOTTED/REVISED: 18-JAN-2021

USER NAME: DISTRICT 7  
PATH & FILENAME: Projects\DT\_MKOV014\5202\058\Design\Plan\Sheet\Typical\520258\_1s.dgn

CERTIFIED BY PRELIMINARY DESIGN PHASE PLAN  
LICENSED PROFESSIONAL ENGINEER LIC NO. 18-JAN-2021 DATE

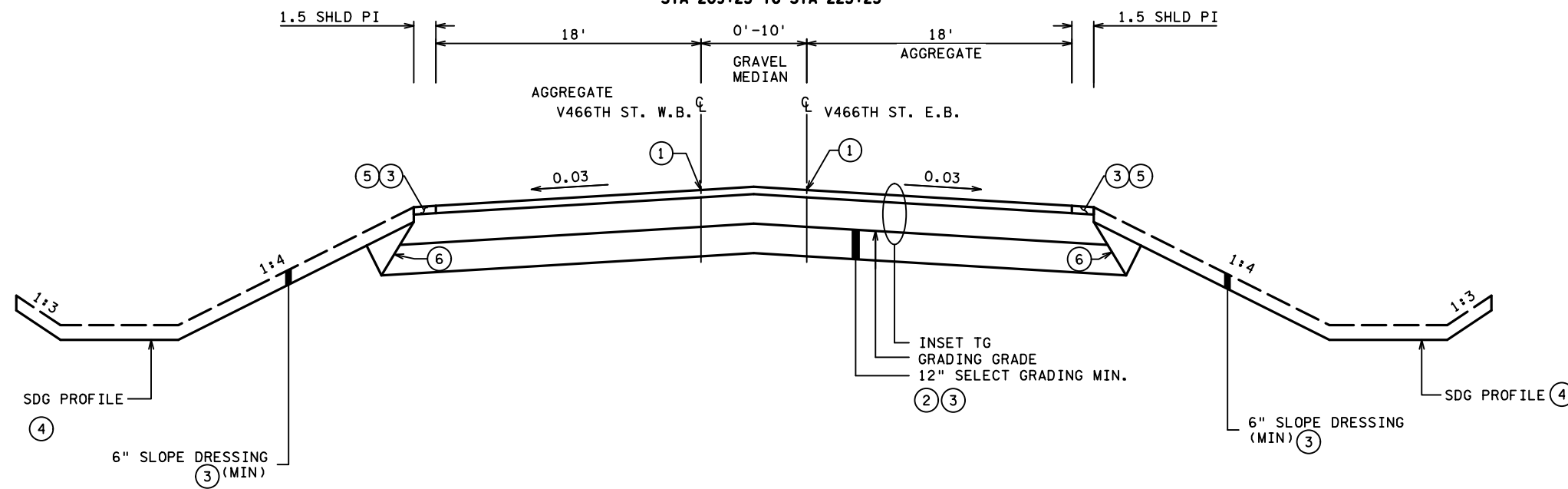
TYPICAL SECTION  
STATE PROJ. NO. 5202-58 (TH 14) SHEET NO. 59 OF 503 SHEETS

PLOTTED/REVISED: 18-JAN-2021

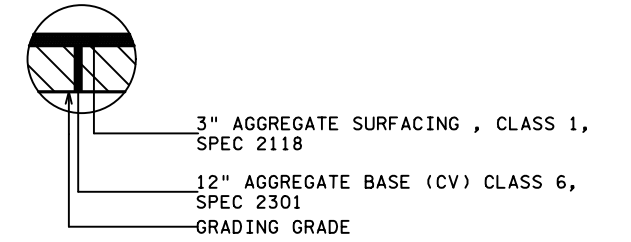
USER NAME: DISTRICT 7  
PATH & FILENAME: Projects\DT\_MKO\014\5202\058\Design\PlanSheets\Typical\520258\_1s.dgn

### V466TH ST. TYPICAL SECTION

STA 209+25 TO STA 225+25



### INSET TG



#### GENERAL NOTES

- A. ALL CROSS SLOPES ARE IN FT. PER FT.
- B. UNLESS OTHERWISE SPECIFIED, THE GRADING GRADE CROSS-SLOPES WILL BE THE SAME AS THE DRIVING SURFACE.
- C. SEE CONSTRUCTION PLANS FOR SUPERELEVATION TRANSITION INFORMATION. MAXIMUM ROLLOVER ON SUPERELEVATED CURVES IS 0.07.

#### NOTES

- ① PROFILE GRADE THIS LOCATION.
- ② SUBCUT INCLUDED IN EXCAVATION - COMMON QUANTITY.
- ③ INCLUDED IN COMMON EMBANKMENT (CV) QUANTITY.
- ④ ELEVATION LABELED IN CROSS-SECTION
- ⑤ 3" SLOPE DRESSING W/ TURF ESTABLISHMENT
- ⑥ ROAD CORE LINE 1:1.5

CERTIFIED BY PRELIMINARY DESIGN PHASE PLAN 18-JAN-2021  
 LICENSED PROFESSIONAL ENGINEER LIC NO. DATE

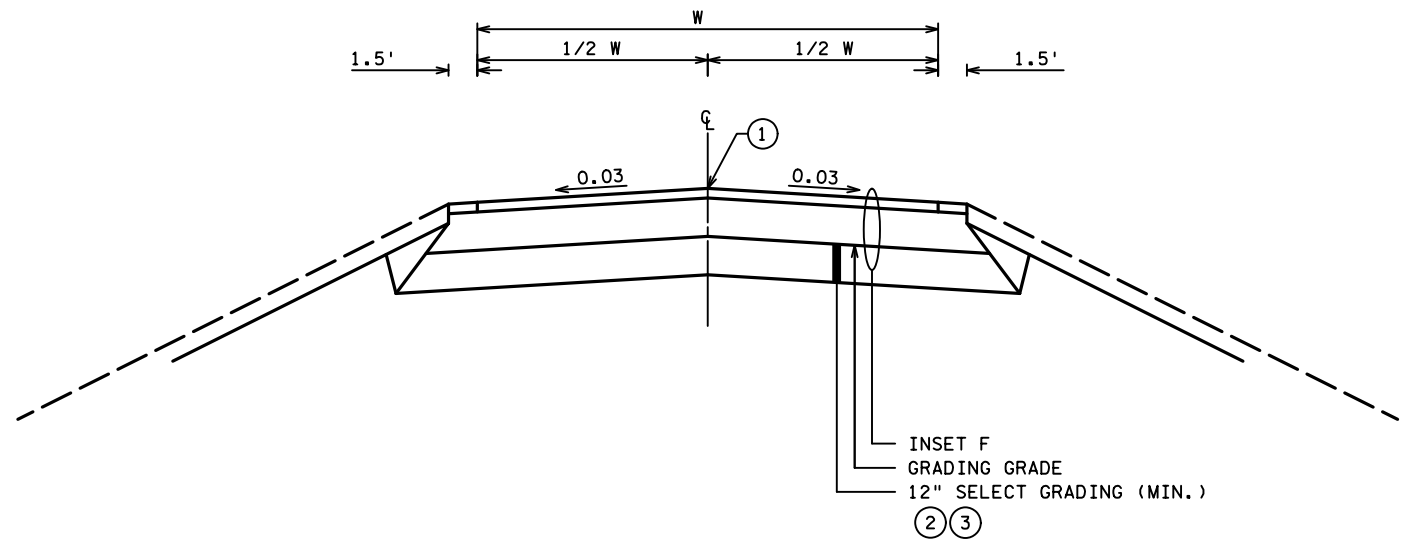
TYPICAL SECTION

STATE PROJ. NO. 5202-58 (TH 14) SHEET NO. 59 OF 503 SHEETS

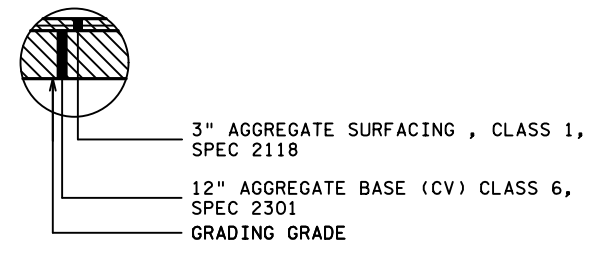
PLOTTED/REVISED: 18-JAN-2021

USER NAME: DISTRICT 7  
 PATH & FILENAME: Projects\DT\_MKO\014\5202\058\Design\PlanSheets\Typical\520258\_1s.dgn

TYPICAL SECTION FOR ALL AGGREGATE DRIVEWAYS



INSET F



ROADWAY PROFILE	WIDTH
ROADWAY WIDTH	WIDTH
ROADWAY WIDTH	WIDTH
ROADWAY WIDTH	WIDTH
ROADWAY WIDTH	WIDTH
ROADWAY WIDTH	WIDTH

- GENERAL NOTES
- A. ALL CROSS SLOPES ARE IN FT. PER FT.
  - B. UNLESS OTHERWISE SPECIFIED, THE GRADING GRADE CROSS-SLOPES WILL BE THE SAME AS THE DRIVING SURFACE.
  - C. SEE CONSTRUCTION PLANS FOR SUPERELEVATION TRANSITION INFORMATION. MAXIMUM ROLLOVER ON SUPERELEVATED CURVES IS 0.07.

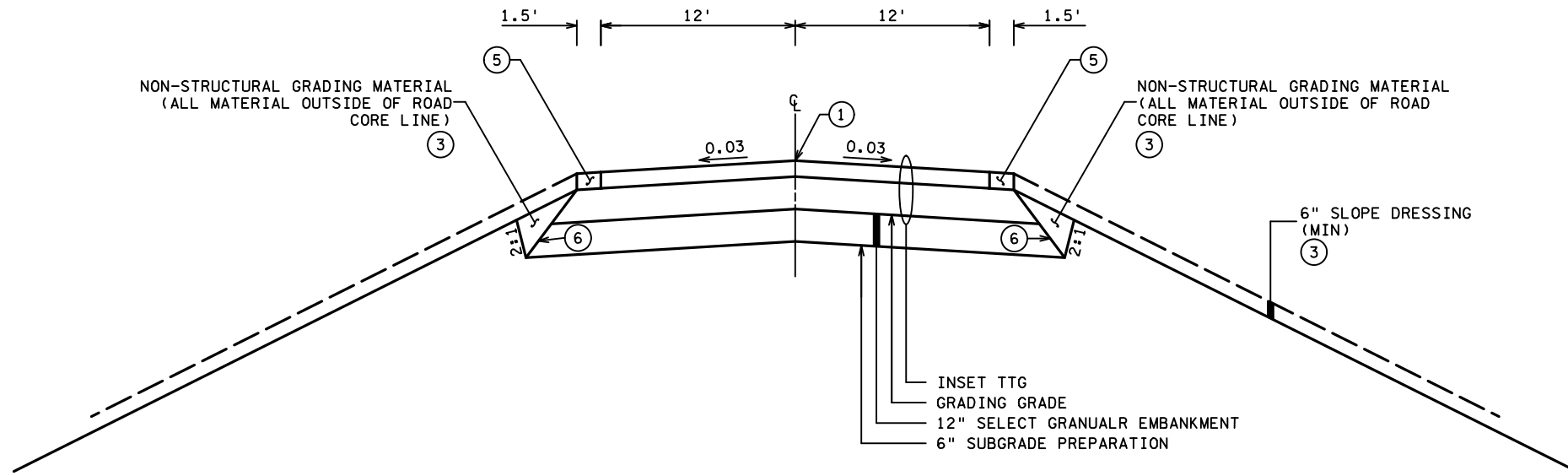
- NOTES
- ① PROFILE GRADE THIS LOCATION. SEE TABLE FOR PROFILE NAME.
  - ② SUBCUT INCLUDED IN EXCAVATION - COMMON QUANTITY.
  - ③ INCLUDED IN COMMON EMBANKMENT (CV) QUANTITY.
  - ④ 4" SLOPE DRESSING W/ TURF ESTABLISHMENT
  - ⑤ 6" SLOPE DRESSING W/ TURF ESTABLISHMENT
  - ⑥ ROAD CORE LINE 1:1.5

PLOTTED/REVISED: 18-JAN-2021

USER NAME: DISTRICT 7  
PATH & FILENAME: Projects\DT\_MKO\014\5202\058\Design\PlanSheets\Typical\520258\_1s.dgn

### TYPICAL SECTION

571ST LANE STA 41+35 TO STA 46+77



### INSET TTG



6" AGGREGATE SURFACING, CLASS 1, SPEC 2118  
12" AGGREGATE BASE (CV) CLASS 6, SPEC 2301  
GRADING GRADE

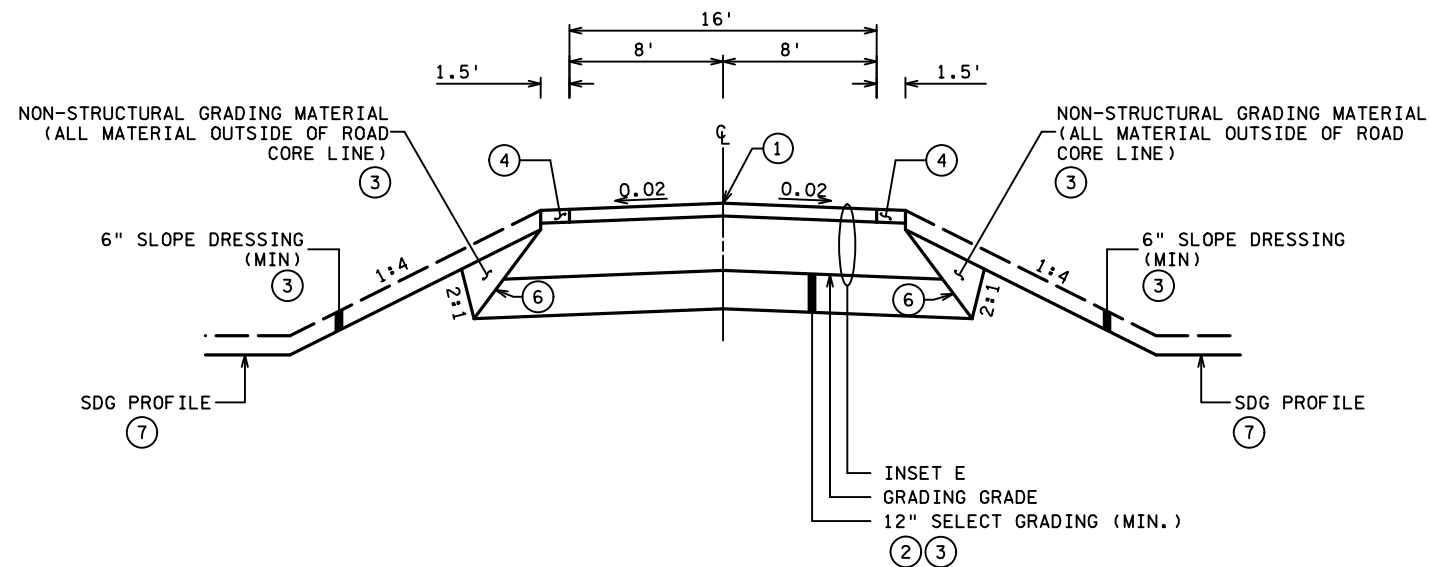
### INSET E



4" TYPE SP 12.5 WEARING COURSE MIXTURE (\*,\*)(SPWE---)(TWO EQUAL LIFTS) SPEC 2360  
17" AGGREGATE BASE (CV) CLASS 6, SPEC 2301  
GRADING GRADE

### TYPICAL SECTION

HOLM DWY.



### GENERAL NOTES

- A. ALL CROSS SLOPES ARE IN FT. PER FT.
- B. UNLESS OTHERWISE SPECIFIED, THE GRADING GRADE CROSS-SLOPES WILL BE THE SAME AS THE DRIVING SURFACE.
- C. SEE CONSTRUCTION PLANS FOR SUPERELEVATION TRANSITION INFORMATION. MAXIMUM ROLLOVER ON SUPERELEVATED CURVES IS 0.07.

### NOTES

- (1) PROFILE GRADE THIS LOCATION.
- (2) SUBCUT INCLUDED IN EXCAVATION - COMMON QUANTITY.
- (3) INCLUDED IN COMMON EMBANKMENT (CV) QUANTITY.
- (4) 4" SLOPE DRESSING W/ TURF ESTABLISHMENT
- (5) 6" SLOPE DRESSING W/ TURF ESTABLISHMENT
- (6) ROAD CORE LINE 1:1.5
- (7) ELEVATION LABELED ON CROSS-SECTIONS

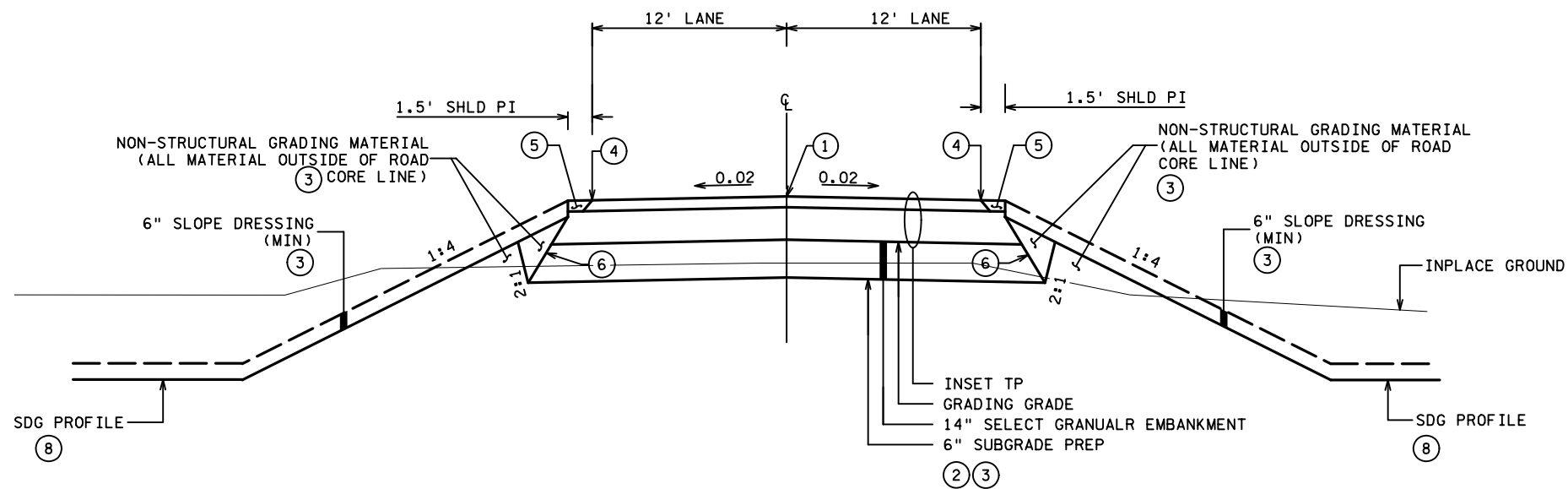
CERTIFIED BY PRELIMINARY DESIGN PHASE PLAN  
18-JAN-2021  
LICENSED PROFESSIONAL ENGINEER LIC NO. DATE

TYPICAL SECTION  
STATE PROJ. NO. 5202-58 (TH 14) SHEET NO. 61 OF 503 SHEETS

PLOTTED/REVISED: 18-JAN-2021

### TYPICAL SECTION

HILLCREST LANE  
SHADY DRIVE  
561ST AVE STA 26+30 TO STA 39+00  
FRONTAGE RD STA 12+58 TO STA 16+45



### INSET TP



4" TYPE SP 12.5 WEARING COURSE MIXTURE (#, #) (SPWE ---) (TWO EQUAL LIFTS) SPEC 2360  
12" AGGREGATE BASE (CV) CLASS 6, SPEC 2301  
GRADING GRADE

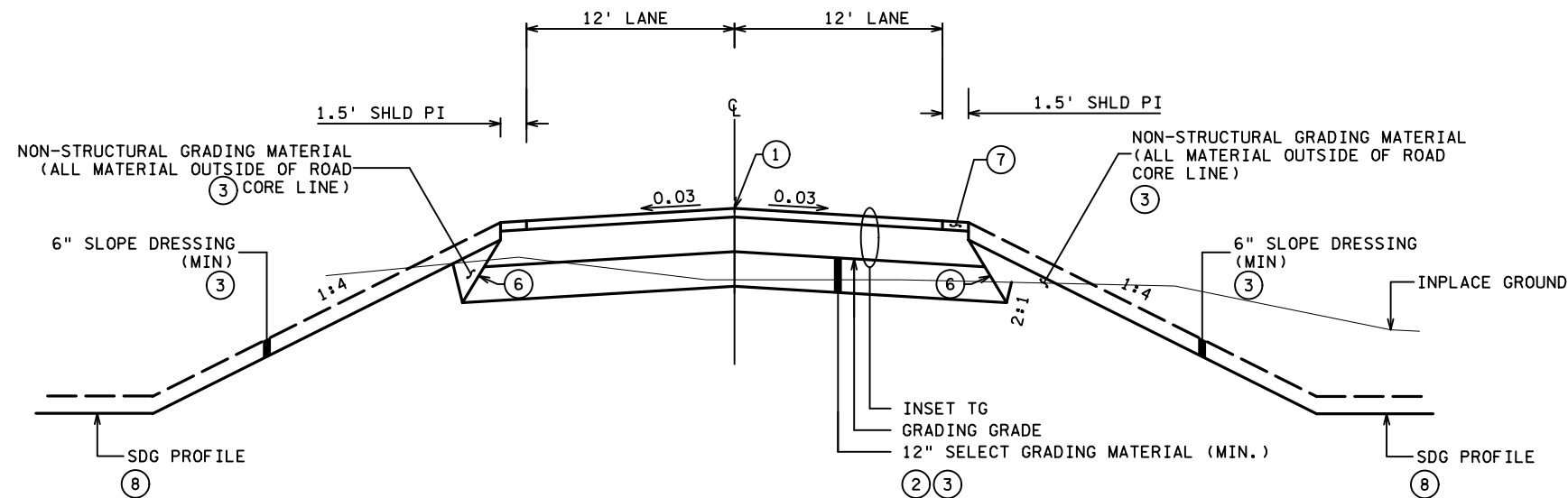
### INSET TG



3" AGGREGATE SURFACING, CLASS 1, SPEC 2118  
12" AGGREGATE BASE (CV) CLASS 6, SPEC 2301  
GRADING GRADE

### TYPICAL SECTION

FRONTAGE RD STA 10+00 TO STA 12+58  
448TH ST. STA 530+50 TO STA 538+00  
571ST LANE  
PITRUN  
547TH LANE  
551ST AVE  
503RD/466TH ST.  
491ST AVE  
481ST AVE STA 41+00 TO STA 43+25



#### GENERAL NOTES

- A. ALL CROSS SLOPES ARE IN FT. PER FT.
- B. UNLESS OTHERWISE SPECIFIED, THE GRADING GRADE CROSS-SLOPES WILL BE THE SAME AS THE DRIVING SURFACE.
- C. SEE CONSTRUCTION PLANS FOR SUPERELEVATION TRANSITION INFORMATION. MAXIMUM ROLLOVER ON SUPERELEVATED CURVES IS 0.07.

#### NOTES

- (1) PROFILE GRADE THIS LOCATION.
- (2) SUBCUT INCLUDED IN EXCAVATION - COMMON QUANTITY.
- (3) INCLUDED IN COMMON EMBANKMENT (CV) QUANTITY.
- (4) SEE SAFETY EDGE DETAIL ON SHEET \$BBBBB\$
- (5) 4" SLOPE DRESSING W/ TURF ESTABLISHMENT
- (6) ROAD CORE LINE 1:1.5
- (7) 3" SLOPE DRESSING W/ TURF ESTABLISHMENT
- (8) ELEVATION LABELED ON CROSS-SECTIONS.

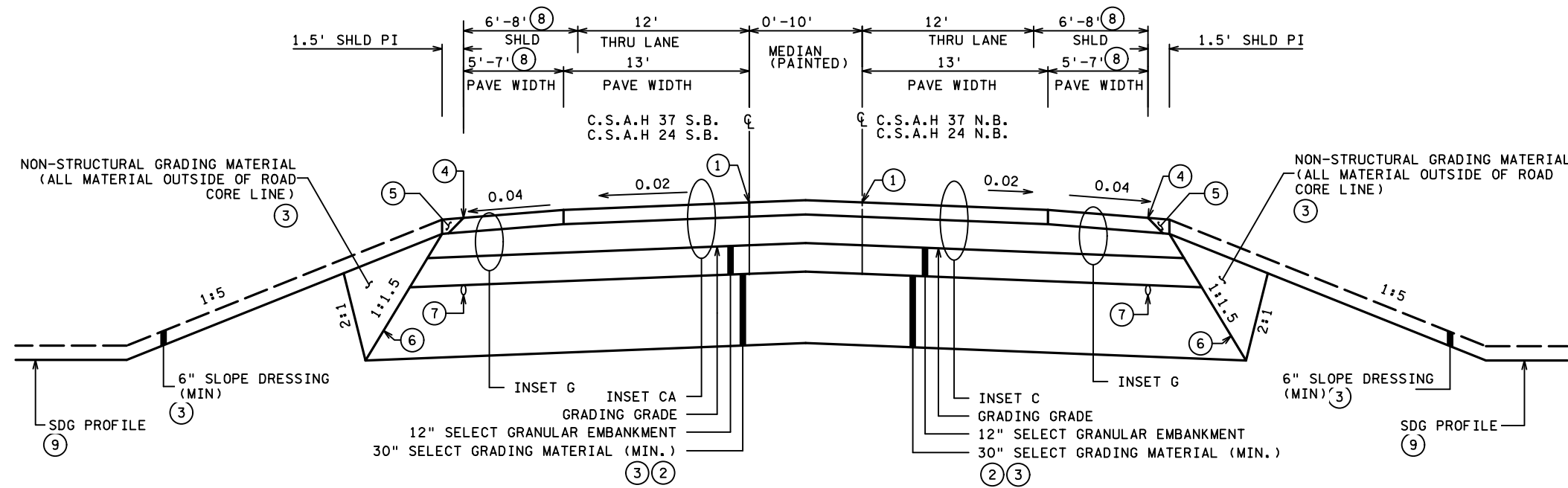
USER NAME: DISTRICT 7  
PATH & FILENAME: Projects\DT\_MKO\014\5202\058\Design\Plan\Sheet\Typical\520258\_1s.dgn

CERTIFIED BY PRELIMINARY DESIGN PHASE PLAN 18-JAN-2021  
LICENSED PROFESSIONAL ENGINEER LIC NO. DATE

TYPICAL SECTION  
STATE PROJ. NO. 5202-58 (TH 14) SHEET NO. 62 OF 503 SHEETS

TYPICAL SECTION

C.S.A.H. 37 STA 503+50 TO STA 515+75  
 448TH ST STA 527+50 TO STA 530+25  
 C.S.A.H. 24 STA 102+50 TO STA 110+05



INSET C



6" TYPE SP 12.5 WEARING COURSE MIXTURE (4,F)(SPWEB440F)(THREE EQUAL LIFTS) SPEC 2360  
 12" AGGREGATE BASE (CV) CLASS 6, SPEC 2301  
 GRADING GRADE

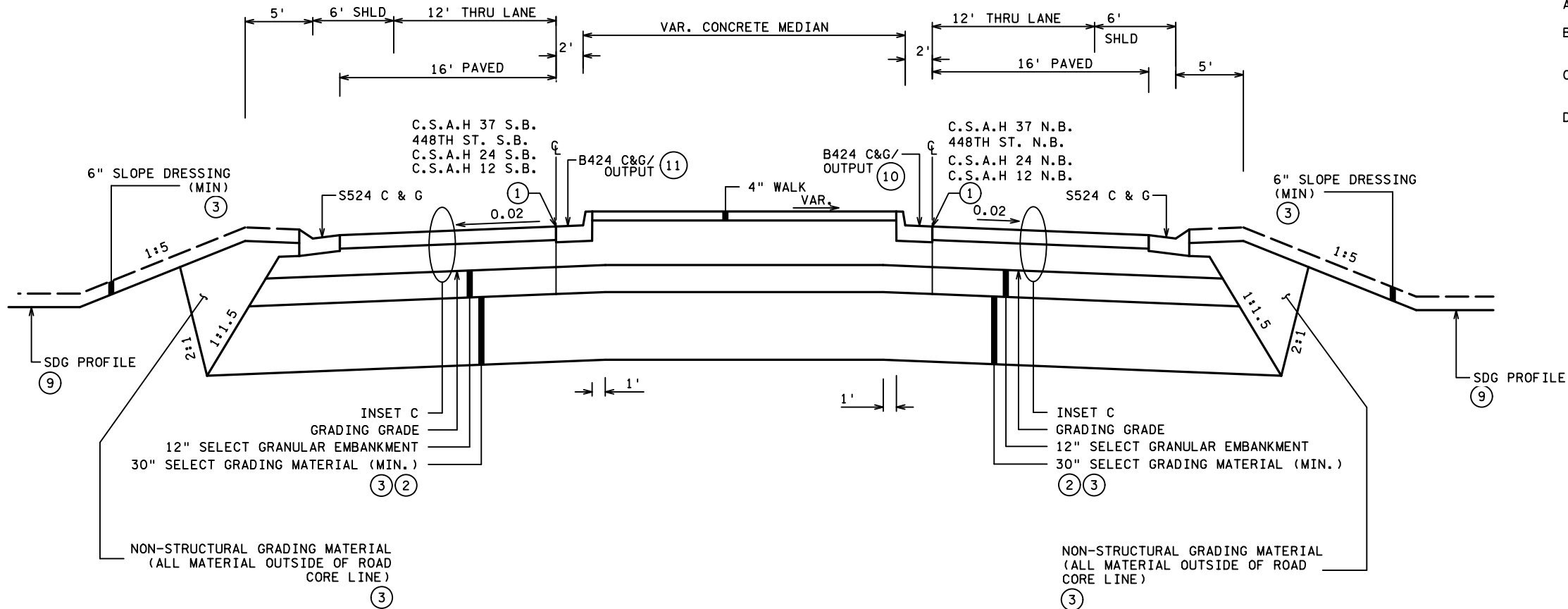
INSET G



6" TYPE SP 12.5 WEARING COURSE MIXTURE (3,C)(SPWEB330C)(THREE EQUAL LIFTS), SPEC 2360  
 VARIABLE (14" MAX.) AGGREGATE BASE (CV) CLASS 6, SPEC 2301  
 GRADING GRADE

TYPICAL SECTION

C.S.A.H. 37 STA 515+75 TO STA 517+50  
 448TH ST STA 525+50 TO STA 527+50  
 C.S.A.H. 24 STA 110+05 TO STA 111+90  
 C.S.A.H. 12 STA 122+86 TO STA 124+84



- GENERAL NOTES
- A. ALL CROSS SLOPES ARE IN FT. PER FT.
  - B. UNLESS OTHERWISE SPECIFIED, THE GRADING GRADE CROSS-SLOPES WILL BE THE SAME AS THE DRIVING SURFACE.
  - C. SEE CONSTRUCTION PLANS FOR SUPERELEVATION TRANSITION INFORMATION. MAXIMUM ROLLOVER ON SUPERELEVATED CURVES IS 0.07.
  - D. CONSTRUCT SUBCUTS AND TOPSOIL STRIPPING PER T.H. 14 SUBGRADE DETAILS. SEE SHEET \$----\$

NOTES

- ① PROFILE GRADE THIS LOCATION.
  - ② SUBCUT INCLUDED IN EXCAVATION - COMMON QUANTITY.
  - ③ INCLUDED IN COMMON EMBANKMENT (CV) QUANTITY.
  - ④ SEE SAFETY EDGE DETAIL ON SHEET \$BBBBB\$
  - ⑤ 6" SLOPE DRESSING W/ TURF ESTABLISHMENT
  - ⑥ ROAD CORE LINE
  - ⑦ 4" PERF TP PIPE DRAIN SEE STD PLAN 5-297.430
  - ⑧ WIDTH PER TABLE
- | STA TO STA                   | PAVE WIDTH | SHLD |
|------------------------------|------------|------|
| C.S.A.H. 37 503+50 TO 515+75 | 7'         | 8'   |
| 448TH ST. 527+50 TO 530+25   | 5'         | 6'   |
| C.S.A.H. 24 104+04 TO 110+05 | 7'         | 8'   |
- ⑨ ELEVATION LABELED IN CROSS-SECTIONS
  - ⑩ 448TH ST & C.S.A.H. 12 S524 C&G OUTPUT
  - ⑪ C.S.A.H. 37 SB & C.S.A.H. 24 SB S524 C&G OUTPUT

CERTIFIED BY: PRELIMINARY DESIGN PHASE PLAN  
 LICENSED PROFESSIONAL ENGINEER  
 DATE: 18-JAN-2021

TYPICAL SECTION  
 STATE PROJ. NO. 5202-58 (TH 14) SHEET NO. 63 OF 503 SHEETS

PLOTTED/REVISED: 18-JAN-2021

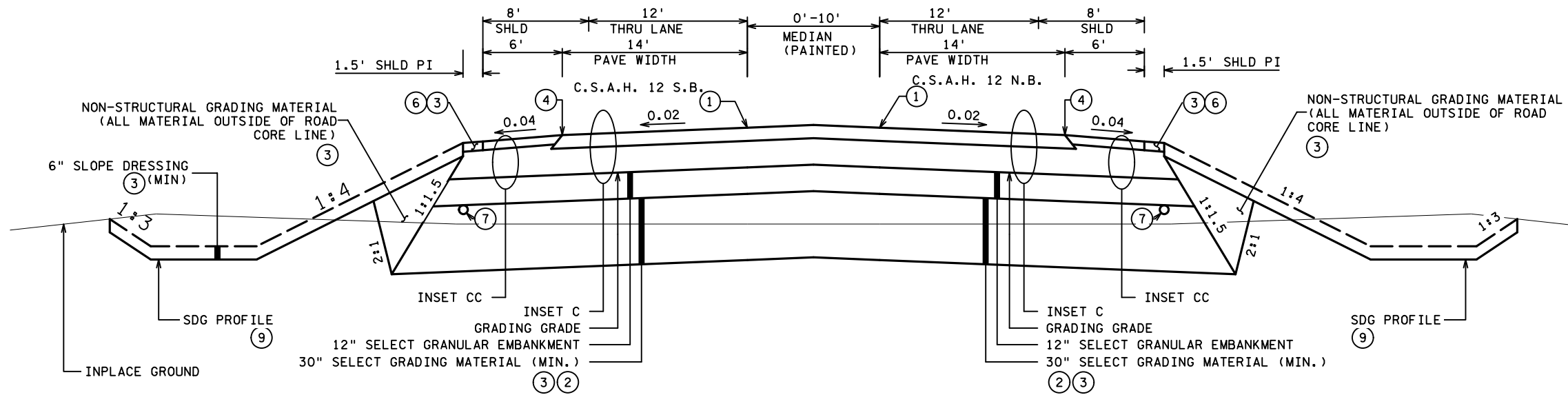
USER NAME: DISTRICT 7  
 PATH & FILENAME: Projects\DT\_MK0\01452020558\Design\PlanSheets\Typical\520258\_1s.dgn

PLOTTED/REVISED: 18-JAN-2021

USER NAME: DISTRICT 7  
PATH & FILENAME: Projects\DT\_MKO\014\5202\058\Design\Plan\Sheet\Typical\520258\_1s.dgn

### TYPICAL SECTION

C.S.A.H. 12 STA 124+81 TO STA 143+00  
C.S.A.H. 12 STA 159+89 TO STA 161+03



### INSET C



6" TYPE SP 12.5 WEARING COURSE MIXTURE (4,F)(SPWEB440F)(THREE EQUAL LIFTS) SPEC 2360  
12" AGGREGATE BASE (CV) CLASS 6, SPEC 2301  
GRADING GRADE

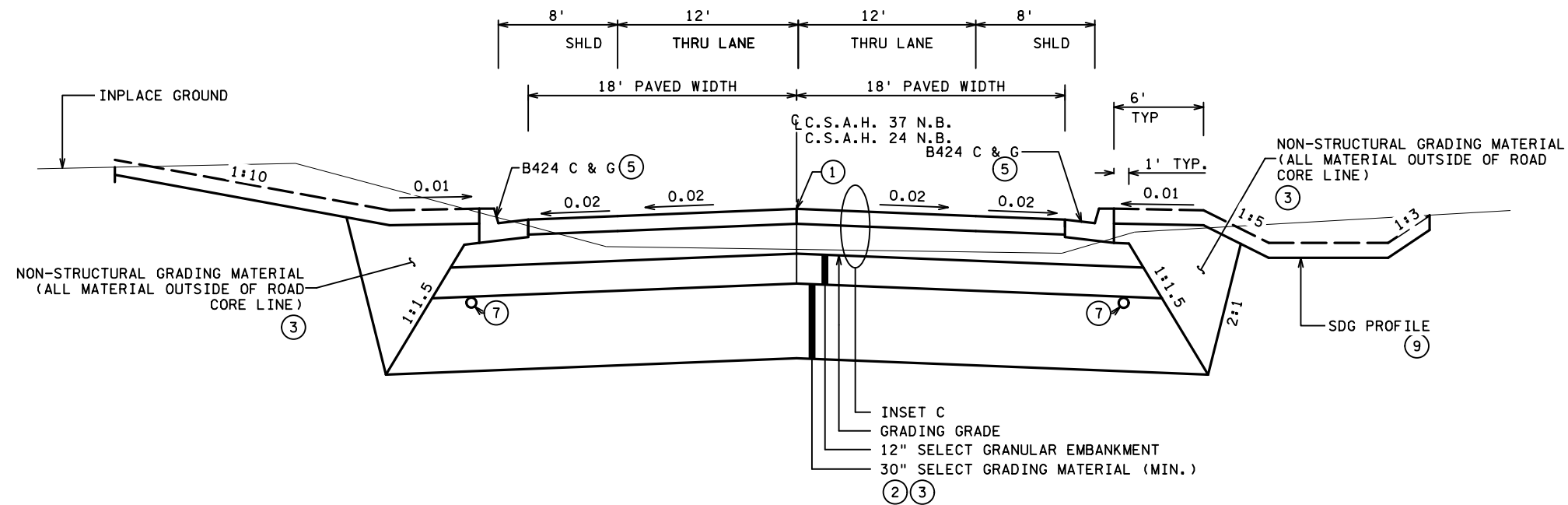
### INSET CC



4" AGGREGATE SURFACING CLASS 2 SPEC 2118  
VARIABLE (14" MAX.) AGGREGATE BASE (CV) CLASS 6, SPEC 2301  
GRADING GRADE

### TYPICAL SECTION

C.S.A.H. 37 STA 520+00 TO STA 521+00  
C.S.A.H. 37 STA 522+25 TO STA 523+25  
C.S.A.H. 24 STA 100+00 TO STA 102+50  
C.S.A.H. 24 STA 114+00 TO STA 119+00



#### GENERAL NOTES

- A. ALL CROSS SLOPES ARE IN FT. PER FT.
- B. UNLESS OTHERWISE SPECIFIED, THE GRADING GRADE CROSS-SLOPES WILL BE THE SAME AS THE DRIVING SURFACE.
- C. SEE CONSTRUCTION PLANS FOR SUPERELEVATION TRANSITION INFORMATION. MAXIMUM ROLLOVER ON SUPERELEVATED CURVES IS 0.07.

#### NOTES

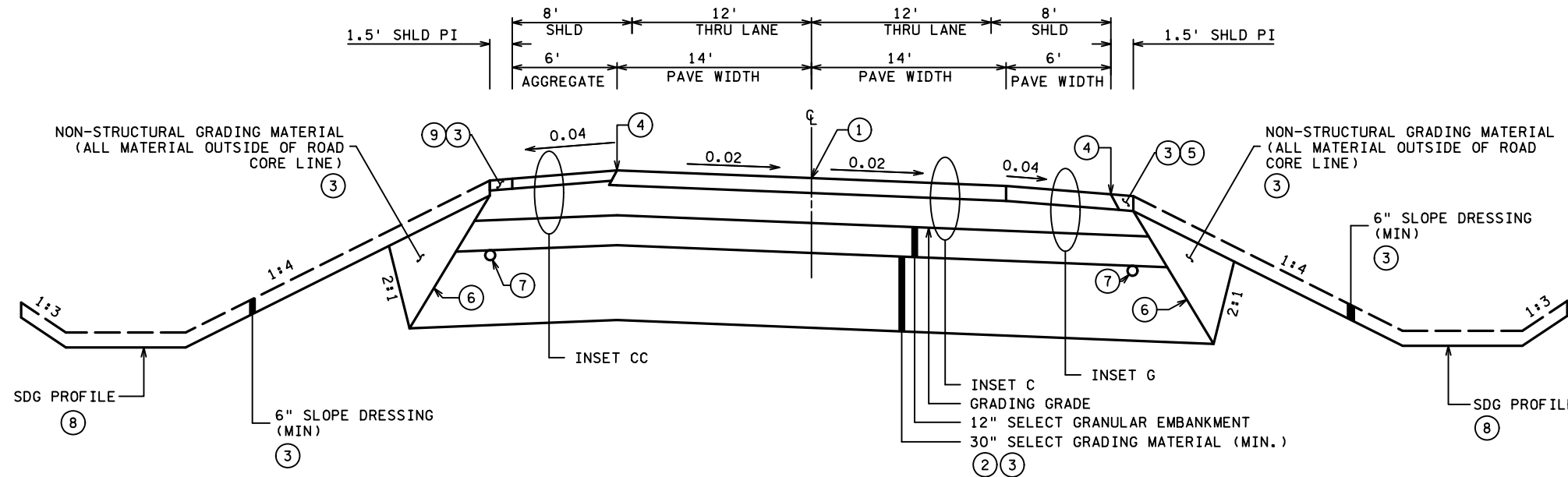
- ① ALIGNMENTS AND PROFILES GENERATED AT THIS LOCATION.
- ② SUBCUT INCLUDED IN EXCAVATION - COMMON QUANTITY.
- ③ INCLUDED IN COMMON EMBANKMENT (CV) QUANTITY.
- ④ SEE SAFETY EDGE DETAIL ON SHEET #BBBBB#
- ⑤ C.S.A.H. 24 STA 100+00 TO 102+50 B624 C&G
- ⑥ 4" SLOPE DRESSING W/ TURF ESTABLISHMENT
- ⑦ 4" PERF TP PIPE DRAIN SEE STD PLAN 5-297.430
- ⑧ WIDTH VARIES SEE CROSS-SECTIONS.
- ⑨ ELEVATION LABELED IN CROSS-SECTIONS

CERTIFIED BY PRELIMINARY DESIGN PHASE PLAN  
18-JAN-2021  
DATE

TYPICAL SECTION  
STATE PROJ. NO. 5202-58 (TH 14) SHEET NO. 64 OF 503 SHEETS

**TYPICAL SECTION**

C.S.A.H. 12 STA 143+00 TO STA 159+89



**INSET C**



6" TYPE SP 12.5 WEARING COURSE MIXTURE (4,F)(SPWEB440F)(THREE EQUAL LIFTS) SPEC 2360

12" AGGREGATE BASE (CV) CLASS 6, SPEC 2301

GRADING GRADE

**INSET G**



6" TYPE SP 12.5 WEARING COURSE MIXTURE (3,C)(SPWEB330C)(THREE EQUAL LIFTS), SPEC 2360

VARIABLE (14" MAX.) AGGREGATE BASE (CV) CLASS 6, SPEC 2301

GRADING GRADE

**INSET CC**



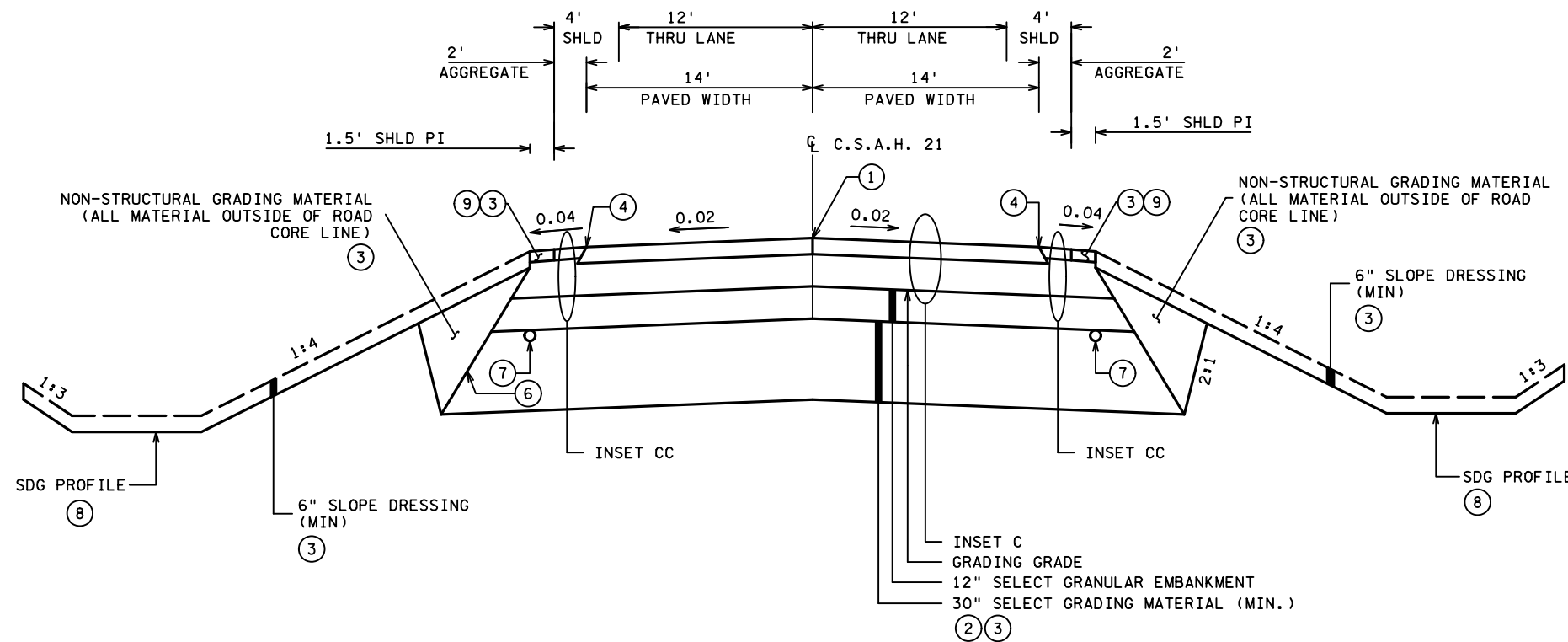
4" AGGREGATE SURFACING CLASS 2 SPEC 2118

VARIABLE (14" MAX.) AGGREGATE BASE (CV) CLASS 6, SPEC 2301

GRADING GRADE

**TYPICAL SECTION**

C.S.A.H. 21 STA ---+00 TO STA ----



**GENERAL NOTES**

- A. ALL CROSS SLOPES ARE IN FT. PER FT.
- B. UNLESS OTHERWISE SPECIFIED, THE GRADING GRADE CROSS-SLOPES WILL BE THE SAME AS THE DRIVING SURFACE.
- C. SEE CONSTRUCTION PLANS FOR SUPERELEVATION TRANSITION INFORMATION. MAXIMUM ROLLOVER ON SUPERELEVATED CURVES IS 0.07.
- D. CONSTRUCT SUBCUTS AND TOPSOIL STRIPPING PER T.H. 14 SUBGRADE DETAILS. SEE SHEET \$----\$

**NOTES**

- ① PROFILE GRADE THIS LOCATION.
- ② SUBCUT INCLUDED IN EXCAVATION - COMMON QUANTITY.
- ③ INCLUDED IN COMMON EMBANKMENT (CV) QUANTITY.
- ④ SEE SAFETY EDGE DETAIL ON SHEET \$BBBBB\$
- ⑤ 6" SLOPE DRESSING W/ TURF ESTABLISHMENT
- ⑥ ROAD CORE LINE 1:1.5
- ⑦ 4" PERF TP PIPE DRAIN SEE STD PLAN 5-297.430
- ⑧ ELEVATION LABELED IN CROSS-SECTION.
- ⑨ 4" SLOPE DRESSING W/ TURF ESTABLISHMENT

CERTIFIED BY PRELIMINARY DESIGN PHASE PLAN  
LICENSED PROFESSIONAL ENGINEER

18-JAN-2021  
DATE

TYPICAL SECTION

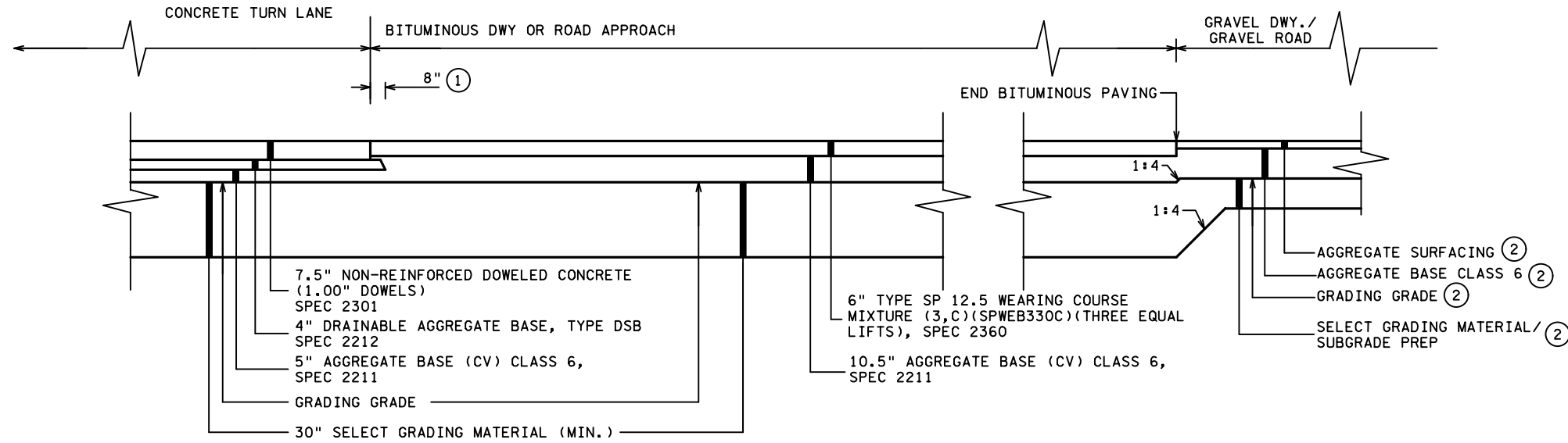
STATE PROJ. NO. 5202-58 (TH 14) SHEET NO. 65 OF 503 SHEETS



PLOTTED/REVISED: 18-JAN-2021

### PAVED DRIVEWAY/ROAD APPROACH DETAIL A

PROFILE VIEW

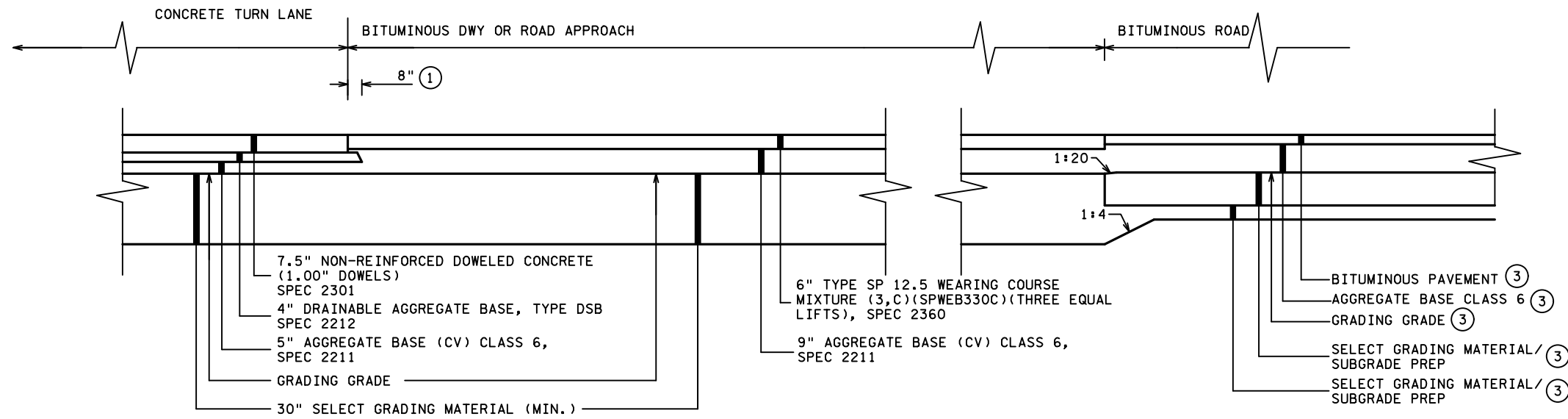


#### SPECIFIC NOTES

- ① DISTANCE DSB EXTENDS PAST EDGE OF CONCRETE. TRUNCATE AT 1:1
- ② SEE TYPICAL SECTION FOR FOLLOWING ROADS/ENTRANCES:  
571ST LANE  
466TH ST  
491ST AVE  
481ST AVE  
D.P.S. DWY  
KETNER DWY  
DWY AT T.H. 14 E.B. STA 523+47, 581+74, 628+05  
DWY AT T.H. 14 W.B. STA 616+28, 639+50, 694+15, 685+27
- ③ SEE TYPICAL SECTION FOR FOLLOWING ROADS/ENTRANCES:  
FRONTAGE RD.  
SHADY DR.

### PAVED DRIVEWAY/ROAD APPROACH DETAIL B

PROFILE VIEW



USER NAME: DISTRICT 7  
PATH & FILENAME: Projects\DT\_MKO\0145202\058\Design\PlanSheets\Typical\520258\_1s.dgn

CERTIFIED BY PRELIMINARY DESIGN PHASE PLAN 18-JAN-2021  
 LICENSED PROFESSIONAL ENGINEER L.I.C. NO. DATE

TYPICAL SECTION  
 STATE PROJ. NO. 5202-58 (TH 14) SHEET NO. 66 OF 503 SHEETS