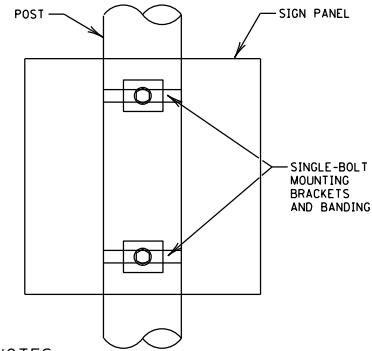
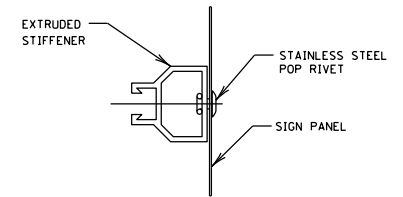


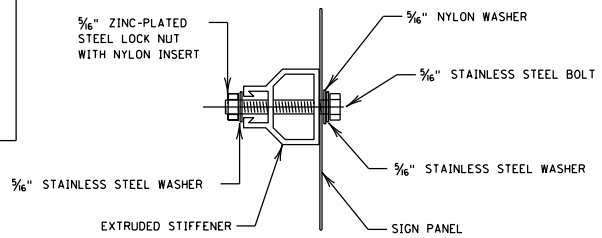
NON-STIFFENER MOUNTING DETAILS
FOR SIGN PANELS UP TO 24" WIDE AND
OVERHEAD SIGN IDENTIFICATION PLATES



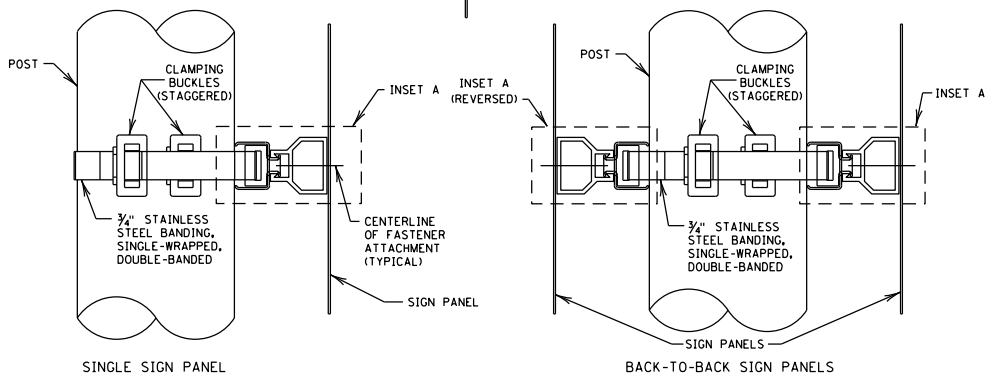
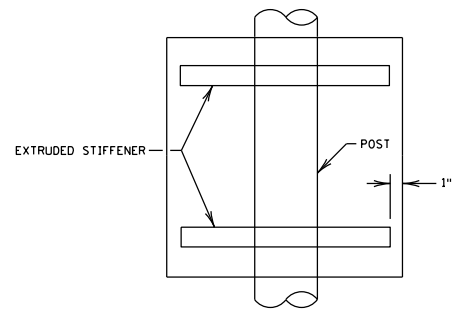
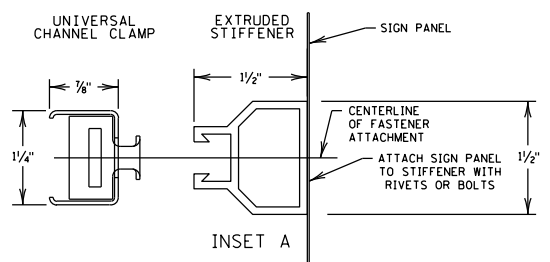
NOTES:
TENSION THE BANDING IN ACCORDANCE WITH THE MANUFACTURER'S
INSTALLATION REQUIREMENTS.
DO NOT MOUNT SIGNS ON BREAKAWAY TRAFFIC SIGNALS AND
LUMINAIRE SUPPORTS.



ATTACH 3/16" RIVETS AT 6" INTERVALS.
ATTACH END RIVETS 3" FROM SIGN EDGE.
USE 1/4" RIVETS FOR THE END RIVETS.
RIVET ATTACHMENT



ATTACH AT STANDARD PUNCH CODE LOCATIONS
BOLT ATTACHMENT



STIFFENER MOUNTING DETAILS
FOR SIGN PANELS 30" WIDE AND LARGER

PANEL HEIGHT	PANEL WIDTH				
	2'	3'	4'	5'	6'
2'	2	2	2	2	3
3'	2	2	2	2	3
4'	2	2	2	2	3
5'	3	3	3	3	3
6'	3	3	3	4	4
7'	3	3	3	4	4

PROVIDE VERTICAL SPACING OF NO MORE THAN 36"
BETWEEN STIFFENERS.
PROVIDE A VERTICAL DISTANCE OF NO MORE THAN 12"
FROM PANEL EDGE TO STIFFENER.

NOTES:
SPACE STIFFENERS IN ACCORDANCE WITH THE PUNCH CODES SHOWN IN THE MnDOT
STANDARD SIGNS AND MARKINGS MANUAL.
ATTACH STIFFENERS TO SIGN PANELS USING FASTENERS. PLACE STIFFENERS AT THE
VERTICAL LOCATIONS OF THE MOUNTING HOLES FOR EACH SIGN.
FURNISH AND INSTALL HARDWARE COMPATIBLE WITH STIFFENER MOUNTING SYSTEMS.
FURNISH TWO TYPE 201 STAINLESS STEEL 3/4" WIDE BY 1/2" THICK STRAPS, EACH
WITH CLAMPING BUCKLES AND INSTALL SEPARATELY WITH A SINGLE WRAP AROUND
THE MAST ARM CHORD. PLACE THE SECOND BANDING STRAP OVER THE FIRST STRAP
AND STAGGER THE CLAMPING BUCKLES SO THE BUCKLES ARE NOT DIRECTLY OVER
ONE ANOTHER.

REVISION:
APPROVED: OCTOBER 16, 2019
Brian Sigmond
BRIAN SIGMOND
STATE TRAFFIC ENGINEER